



SERVICE PARTS LIST

BULLETIN NO.
54-14-4201

SPECIFY CATALOG NO. AND SERIAL NO. WHEN ORDERING PARTS		REVISED BULLETIN 54-14-4200	DATE May '82
1-1/4" TWO SPEED DRILL			
CATALOG NO. 4292-1	STARTING SERIAL NO. 504-3300	WIRING INSTRUCTION 58-01-0375	
CAT. NO. 4292-6	START SER. NO. 504-3300	BILINGUAL LABEL 10-98-6120	

FOR CAT. NO. 4292-3
(240 V.) TOOL USE:
16-76-0100 ARMATURE
18-76-0070 FIELD
22-64-2740 CORD SET
22-56-0286 STRAIN RELIEF

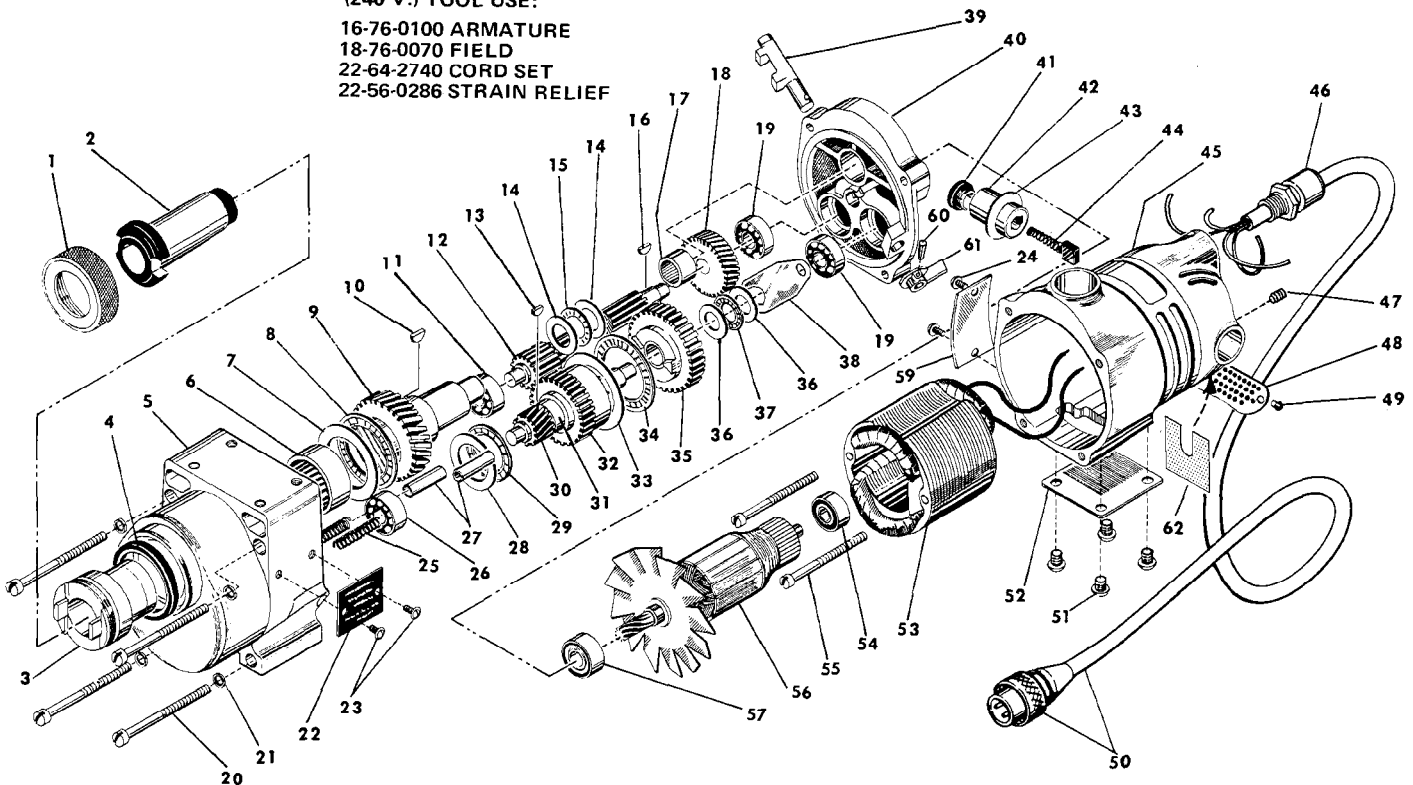


FIG.	PART NO.	DESCRIPTION OF PART	NO. REQ.	FIG.	PART NO.	DESCRIPTION OF PART	NO. REQ.
1	42-52-0050	Taper Socket Cap	(1)	32	32-10-0061	Clutch Gear Assembly	(1)
2	45-34-0050	#3 Taper Socket	(1)	33	45-88-0530	Thrust Bearing Washer	(1)
3	38-50-4651	Spindle	(1)	34	02-80-5000	Thrust Bearing	(1)
4	45-06-0100	Oil Seal	(1)	35	32-10-0051	Clutch Gear Assembly	(1)
5	28-14-1221	Gear Case	(1)	36	45-88-0510	Thrust Bearing Washer	(2)
6	02-50-9975	Needle Bearing	(1)	37	02-80-1200	Thrust Bearing	(1)
7	45-88-0530	Thrust Bearing Washer	(1)	38	45-98-0090	Shifting Yoke	(1)
8	02-80-5000	Thrust Bearing	(1)	39	30-15-0051	Shifting Cam	(1)
9	32-75-2561	Spindle Gear	(1)	40	28-28-1365	Diaphragm - Includes: Groove Pin	(1)
10	06-42-2400	Woodruff Key	(1)	41	23-44-0030	Brush Retaining Screw	(2)
11	02-04-1260	Ball Bearing	(1)	42	22-22-1015	Brush Holder	(2)
12	36-66-3751	Pinion Shaft Assembly	(1)	43	23-86-0060	Brush Holder Washer	(2)
13	06-42-2000	Woodruff Key	(1)	44	22-18-0055	Carbon Brush	(2)
14	45-88-0515	Thrust Washer	(2)	45	28-50-4121	Motor Housing	(1)
15	02-80-1525	Thrust Bearing	(1)	46	22-56-0280	Strain Relief	(1)
16	06-42-1600	Woodruff Key	(1)	47	06-83-2650	1/4-20x3/8 Knrl. Set Screw	(2)
17	02-50-4830	Needle Bearing	(1)	48	44-66-0180	Cover Plate	(1)
18	32-40-1581	Intermediate Gear	(1)	49	06-81-8650	6-32x1/4 Rd. Hd. Sem	(2)
19	02-04-1205	Ball Bearing	(2)	50	22-64-0740	Cord Set	(1)
20	06-81-2125	1/4-20x3-1/2 Fil. Hd. Screw	(4)	51	06-81-5000	1/4-20x3/8 Truss Hd. Screw	(4)
21	06-97-3800	Lock Washer	(4)	52	44-66-0050	Body Cover Plate	(1)
22	12-98-2105	Instruction Plate	(1)	53	18-70-0070	120 V. Field	(1)
23	06-81-4430	4-40x1/4 Rd. Hd. Screw	(2)	54	02-04-1070	Ball Bearing	(1)
24	06-85-0200	6x1/4 Rd. Hd. Type Z Screw	(2)	55	06-81-9190	10-24x2-1/4 Rd. Hd. Sem	(2)
25	40-50-6300	Shifting Spring	(2)	56	16-70-0100	120 V. Rev. Armature	(1)
26	02-04-1260	Ball Bearing	(1)	57	02-04-1260	Ball Bearing	(1)
27	44-70-0100	Shifting Plunger	(2)	58	12-98-7082	Caution Plate (Not Shown)	(1)
28	45-88-0520	Thrust Bearing Washer	(1)	59	12-99-0040	Nameplate	(1)
29	02-80-1800	Thrust Bearing	(1)	60	06-65-0840	1/8x3/4 Groove Pin	(1)
30	32-60-1041	Pinion Gear	(1)	61	28-60-0051	Shift Knob Housing	(1)
31	36-14-0061	Clutch Shaft	(1)	62	23-16-0830	Arc Insulator	(1)

► Omit for Canadian Tools