



# SERVICE PARTS LIST

## 1-1/4" ELECTRIC DRILL

**Catalog No. 4282-1**

Starting Serial No. **503-1001**

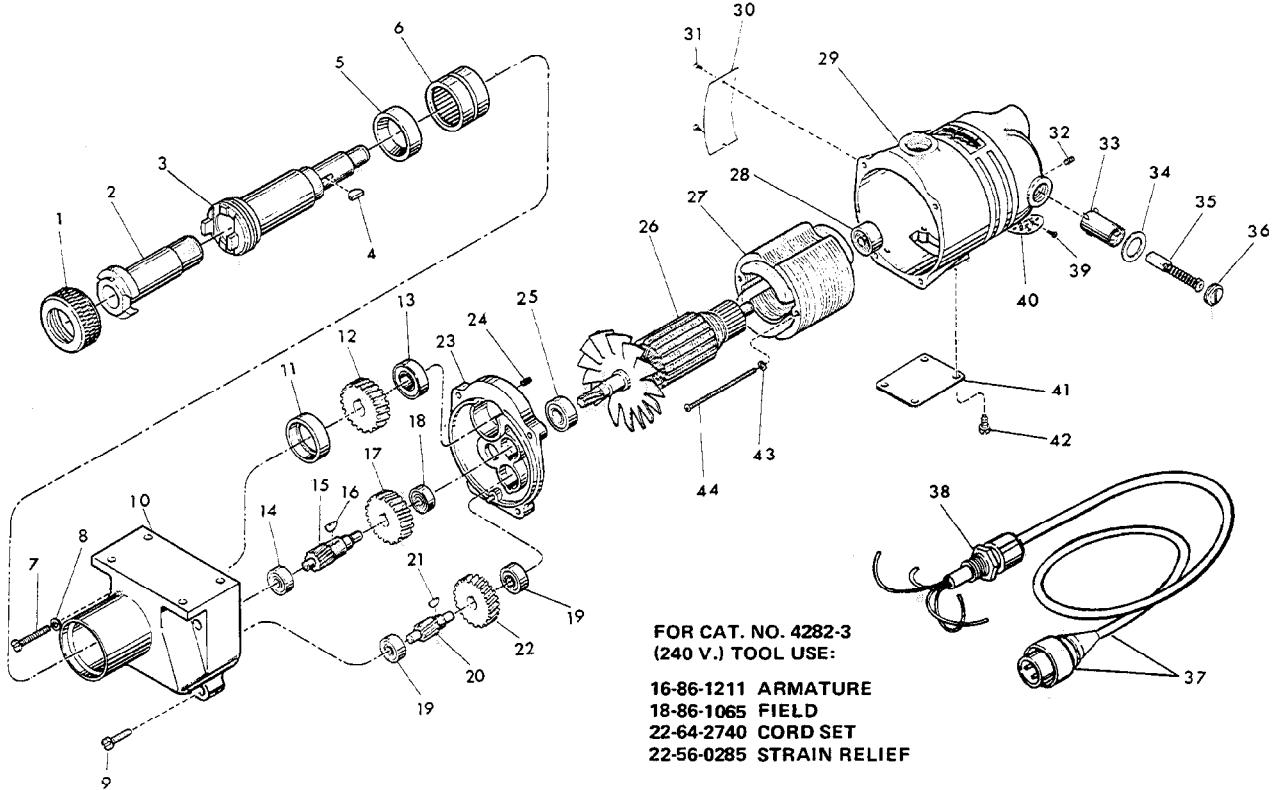
Specify Catalog and Serial No. when ordering parts

**BUL. 54-14-3100**

REVISED BUL. DATE  
Jan. '76

WIRING INSTRUCTIONS  
**58-01-0371**

350 R.P.M.



FOR CAT. NO. 4282-3  
(240 V.) TOOL USE:

- 16-86-1211 ARMATURE
- 18-86-1065 FIELD
- 22-64-2740 CORD SET
- 22-56-0285 STRAIN RELIEF

FIG.	PART NO.	DESCRIPTION OF PART	NO. REQ.	FIG.	PART NO.	DESCRIPTION OF PART	NO. REQ.
1	42-52-0050	Taper Socket Cap	(1)	23	28-28-1181	Diaphragm (Includes 06-65-1205 Groove Pin & Fig. No. 24)	(1)
2	45-34-0050	No. 3 Taper Socket	(1)	24	45-30-0070	Bearing Retaining Slug	(3)
3	38-50-0701	Spindle	(1)	25	02-04-1140	Ball Bearing	(1)
4	06-42-2400	Woodruff Key	(1)	26	16-82-1231	120V Reversing Armature	(1)
5	45-06-0080	Oil Seal	(1)	27	18-82-1070	120V Field	(1)
6	02-50-9640	Needle Bearing	(1)	28	02-04-1070	Ball Bearing	(1)
7	06-81-1975	1/4-20x2-1/4 Fil. Hd. Screw	(2)	29	28-50-4121	Motor Housing	(1)
8	06-97-3800	Lock Washer	(2)	30	12-99-0040	Nameplate Blank	(1)
9	06-81-7900	1/4-20x1-1/2 Fil. Hd. Sem	(2)	31	06-85-0200	6x1/4 Nameplate Screw	(2)
10	28-14-0082	Gear Case	(1)	32	06-83-2650	1/4-20 x3/8 Knrl. Set Screw	(2)
11	42-24-0070	Thrust Bearing	(1)	33	22-22-0015	Brush Holder	(2)
12	32-75-1261	Spindle Gear	(1)	34	23-86-0060	Fiber Washer	(2)
13	02-20-1720	Ball Bearing	(1)	35	22-18-0055	Carbon Brush	(2)
14	02-04-1210	Ball Bearing	(1)	36	23-44-0030	Brush Retianing Screw	(2)
15	36-66-0571	Pinion Shaft	(1)	37	22-64-0740	Cord Set	(1)
16	06-42-2000	Woodruff Key	(1)	38	22-56-0280	Strain Relief	(1)
17	32-44-1141	Intermediate Gear	(1)	39	06-81-8650	6-32x1/4 Rd. Hd. Sem	(2)
18	02-04-1020	Ball Bearing	(1)	40	44-66-0180	Cover Plate	(1)
19	02-04-0910	Ball Bearing	(2)	41	44-66-0050	Body Cover Plate	(1)
20	36-66-1251	Pinion Shaft	(1)	42	06-81-5000	1/4-20x3/8 Truss Hd. Screw	(4)
21	06-42-1200	Woodruff Key	(1)	43	06-97-2200	Lock Washer	(2)
22	32-42-1201	Intermediate Gear	(1)	44	06-81-1150	10-24x3-1/8 Fil. Hd. Screw	(2)
				45	12-98-7081	Caution Plate (Not Shown)	(1)