



SERVICE PARTS LIST

BUL. 54-14-3000

1-1/4" ELECTRIC DRILL

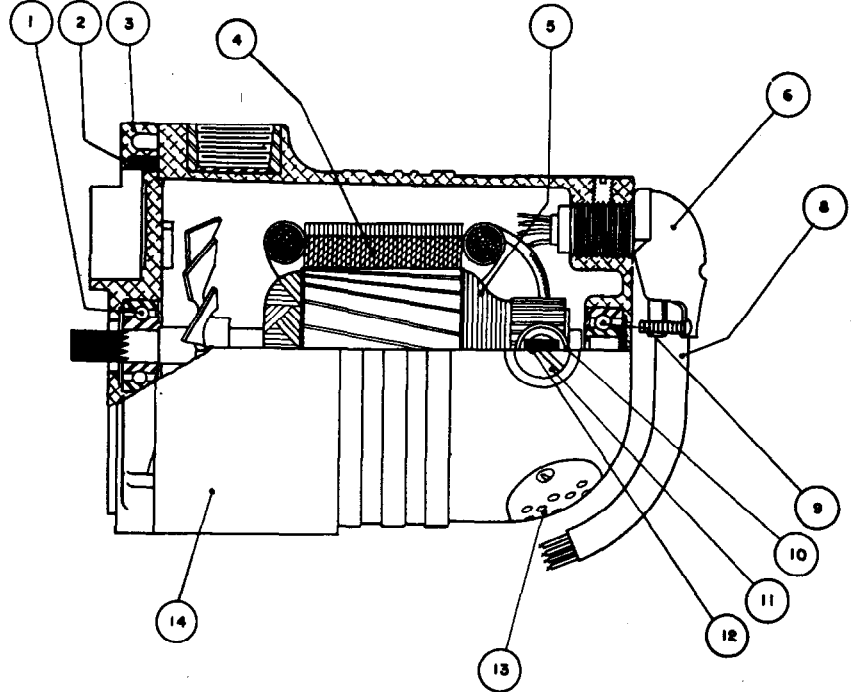
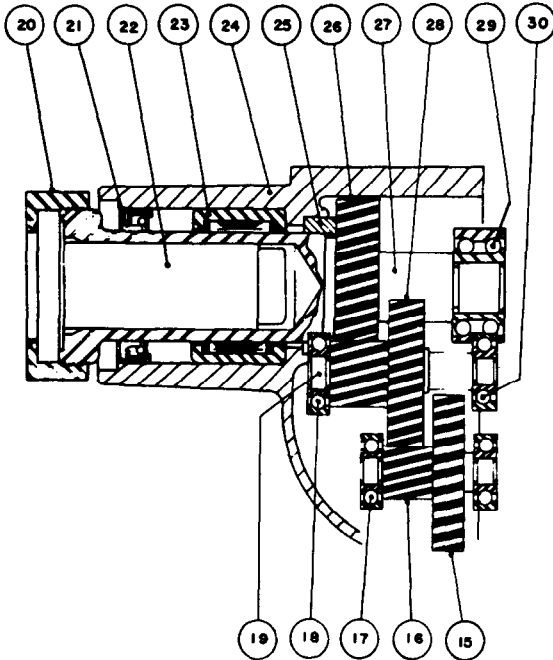
REVISED BUL 6301-1 DATE FEB. '68

Catalog No. 4280-1

Starting Serial No. 301-1001

WIRING INSTR.

Both Model and Serial No. must be furnished to obtain correct parts.



230V Motor
16-86-1211 Armature
18-86-1060 Field

ILLUSTRATED PARTS

FIG.	PART NO.	DESCRIPTION OF PART	FIG.	PART NO.	DESCRIPTION OF PART
1	02-04-1140	Ball Bearing	16	36-66-1251	1st Intermediate Pinion Shaft
2	45-30-0070	Ball Brg. Retaining Slug	17	02-04-0910	Ball Bearing (2)
3	28-28-1181	Diaphragm	18	02-04-1210	Ball Bearing
4	18-82-1070	Field Assembly	19	36-66-0571	2nd Intermediate Pinion Shaft
5	16-82-1231	Armature Assembly	20	42-52-0050	Taper Socket Cap
6	22-56-0060	Right Angle Connector	21	45-06-0080	Spindle Oil Seal
			22	45-34-0050	Taper Socket
8	22-60-2200	Cord (4-wire)	23	02-50-9640	Spindle Roller Bearing
9	02-04-1070	Ball Bearing	24	28-14-0082	Gear Case
10	22-22-0015	Brush Holder Assembly	25	42-24-0070	Thrust Bearing
11	23-44-0030	Brush Retaining Screw	26	32-75-1261	Spindle Gear
12	22-18-0055	Carbon Brush Assembly	27	38-50-0701	Spindle
13	44-66-0180	Air Intake Cover Plate	28	32-44-1141	2nd Intermediate Gear
14	28-50-4121	Motor Housing	29	02-20-1720	Ball Bearing
15	32-42-1201	1st Intermediate Gear	30	02-04-1020	Ball Bearing

MISCELLANEOUS PARTS NOT SHOWN

SIZE OR PART NO.	DESCRIPTION OF PART	SIZE OR PART NO.	DESCRIPTION OF PART
12-98-0900	Name Plate	06-97-3400 #10	Kantlink Lock Washers (2)
06-85-0200 #6x1/4 P.K.	Air Intake Plate Screws (2)	06-97-3800 #14	Kantlink Lock Washers (4)
06-77-0450 #4x1/4 Driv-In	Name Plate Screws (2)	06-42-1200 #212	Woodruff Key
06-81-7900 1/4-20x1-1/2 Fil.Hd.	Gear Case Screws Sem (2)	06-42-2000 #3	Woodruff Key
06-81-1975 1/4-20x2-1/4 Fil.Hd.	Gear Case Screws (2)	06-42-2400 #61	Woodruff Key
06-81-1150 10-24x3-1/8 Fil Hd.	Field Screws (2)	44-66-0050	Body Cover Plate
06-83-2650 1/4-20x3/8 Hd'less	Brush Holder Set Screws (2)	06-81-4700 1/4-20x1/2 Rd.Hd. Screws	(4)
06-83-2645 1/4-20x3/8 Hd'less	Set Screws	06-38-0059 1/4-20x1/4 Helicoil Insert	