



SERVICE PARTS LIST

BUL. 54-14-2100

3/4" ELECTRIC DRILL

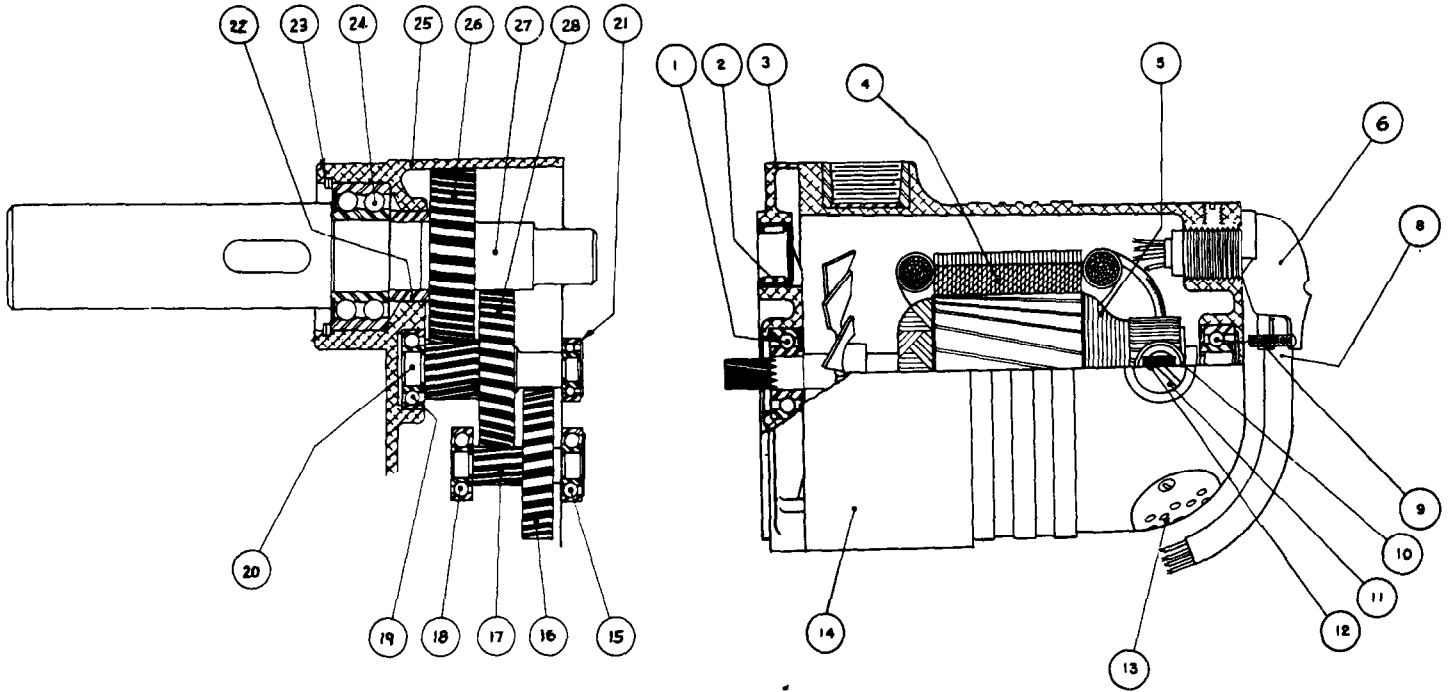
REVISED BUL 6300-1 DATE FEB. '68

Catalog No. 4270-1

Starting Serial No. 300-1001

WIRING INSTR.

Both Model and Serial No. must be furnished to obtain correct parts.



CORRECTS & SUPERCEDES
SERVICE BULLETIN 6300-1
DATED 1/29/62

ILLUSTRATED PARTS

FIG.	PART NO.	DESCRIPTION OF PART
1	02-04-1140	Ball Bearing (Pinion End)
2	02-50-4820	Needle Bearing
3	28-28-0301	Diaphragm
4	18-82-1060	Field Assembly
5	16-82-1091	Armature Assembly
6	22-56-0060	Right Angle Connector
8	22-60-2200	Cord (4-wire)
9	02-04-1070	Ball Bearing
10	22-22-0015	Brush Holder Assembly
11	23-44-0030	Brush Retaining Screw
12	22-18-0055	Carbon Brush Assembly
13	44-66-0180	Air Intake Cover Plate
14	28-50-4121	Motor Housing

FIG.	PART NO.	DESCRIPTION OF PART
15	02-04-0910	Ball Bearing
16	32-42-1201	Intermediate Gear
17	36-66-1251	Intermediate Pinion Shaft
18	02-04-0910	Ball Bearing
19	02-04-1210	Ball Bearing
20	36-66-1301	Inter. Pinion Shaft
21	02-04-0820	Ball Bearing
22	45-36-0080	Spindle Spacer
23	34-80-3800	Ball Bearing Retaining Ring
24	02-20-2520	Ball Bearing
25	28-14-0091	Gear Case
26	32-75-1261	Spindle Gear
27	38-50-4201	No. 2 Morse Taper Spindle
28	32-44-1141	2nd Intermediate Gear

MISCELLANEOUS PARTS NOT SHOWN

PART NO.	DESCRIPTION OF PART
12-98-0900	Name Plate
48-86-0060	Drift
06-77-0450	No. 4x1/4 Driv-In Name Plate Screws (2)
06-81-1975	1/4-20x2-1/4 Fil. Hd. Gear Case Screws (2)
06-83-2650	1/4-20x3/8 Hd'less Brush Holder Set Scr. (2)
06-83-2645	1/4-20x3/8 Hd'less Set Screws (2)
06-38-0059	1/4-20x1/4 Helicoil (4)
06-38-0060	1/4-20x3/8 Helicoil (4)

PART NO.	DESCRIPTION OF PART
06-81-2100	1/4-20x3-1/4 Fil. Hd. Gear Case Screws (2)
06-42-1200	No. 212 Woodruff Key
06-42-2000	No. 3 Woodruff Key
06-42-2400	No. 61 Woodruff Key
44-66-0050	Body Cover Plate
06-81-4700	1/4-20x1/2 Rd. Hd. Screws (4)
06-81-4600	10-24x2-3/4 Lg. Rd. Hd. Field Screws (2)