



# SERVICE PARTS LIST

**BULLETIN NO.**  
**55-14-4200**

<b>SPECIFY CATALOG NO. AND SERIAL NO. WHEN ORDERING PARTS</b>		REVISED BULLETIN	DATE
<b>1-3/8" (35mm) ELECTRIC DRILL</b>			Dec. 2001
<b>CATALOG NO.</b>	<b>4262-50</b>	<b>STARTING SERIAL NO.</b>	<b>502A</b>
		<b>WIRING INSTRUCTION</b> <b>58-03-0376</b>	

**EXAMPLE:**  

00	0
----	---

 Component Parts (Small #)  
 Are Included When Ordering  
 The Assembly (Large #).

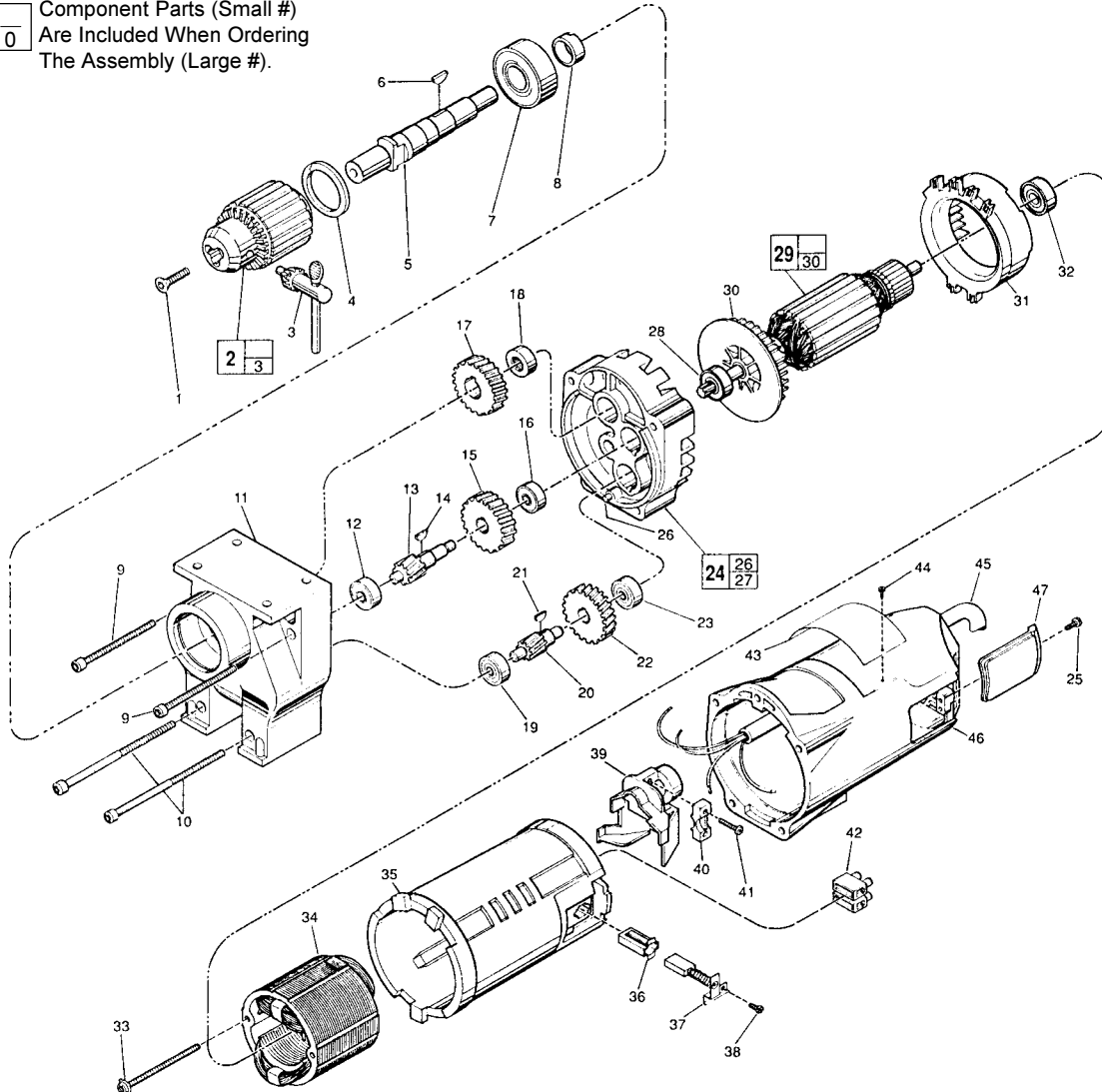


FIG.	PART NO.	DESCRIPTION OF PART	NOREQ.	FIG.	PART NO.	DESCRIPTION OF PART	NO. REQ.
1	06-81-3100	5/16-18 x 1" Skt. Hd. Screw	(1)	28	02-04-1229	Ball Bearing	(1)
2	48-66-2085	3/4" Chuck	(1)	29	16-74-0365	Armature	(1)
3	48-66-3160	Chuck Key	(1)	30	22-84-0790	Fan	(1)
4	34-80-3800	Retaining Ring	(1)	31	42-14-0291	Baffle	(1)
5	38-50-5480	Reversing Spindle	(1)	32	02-04-1041	Ball Bearing	(1)
6	06-42-2400	Woodruff Key	(1)	33	06-82-9072	10-24 x 2-1/8" Pan Hd. T-25 Sems	(2)
7	02-04-2200	Ball Bearing	(1)	34	18-74-0320	Field	(1)
8	45-36-0080	Spindle Spacer	(1)	35	23-16-1410	Insulating Housing	(1)
9	06-82-8550	1/4-20 x 3-1/8" Fil. Taptite T-30 Sems	(2)	36	22-20-0680	Brush Tube	(2)
10	06-82-9202	1/4-20 x 4-1/4" Fil. Taptite T-30 Sems	(2)	37	22-18-0706	Carbon Brush Assembly	(2)
11	28-14-0091	Gear Case Assembly	(1)	38	06-82-8835	8-32 x 5/16" Pan Hd. Slit. T-20 Sems	(2)
12	02-04-1210	Ball Bearing	(1)	39	22-38-0140	Wire Trap	(1)
13	36-66-1302	Intermediate Shaft	(1)	40	31-17-0200	Cord Clamp	(1)
14	06-42-2000	Woodruff Key	(1)	41	06-82-7326	8-16 x 1" Pan Hd. Plast. Slit. T-20	(2)
15	32-44-1141	Intermediate Gear	(1)	42	22-56-0470	Terminal Block	(1)
16	02-04-0910	Ball Bearing	(1)	43	12-99-3345	Service Nameplate	(1)
17	32-75-1261	Spindle Gear	(1)	44	06-85-0200	Service Nameplate Screw	(2)
18	02-50-4820	Needle Bearing	(1)	45	22-64-4005	Cord and Plug	(1)
19	02-04-0910	Ball Bearing	(1)	46	28-50-6360	Motor Housing	(1)
20	36-66-1251	Intermediate Shaft	(1)	47	22-32-0350	Brush Cover	(2)
21	06-42-1200	Woodruff Key	(1)				
22	32-42-1201	Intermediate Gear	(1)	<b>FIG. LUBRICATION</b>			
23	02-04-0910	Ball Bearing	(1)	11	9-1/2 Oz. Type "J" Grease, No. 49-08-4220.		
24	14-13-0250	Diaphragm Assembly	(1)	<b>FIG. NOTE</b>			
25	06-82-5316	8-32 x 1/2" Pan Hd. Slit. Tap. T-20	(2)	9,10	Apply Blue Loctite #242 To Threads.		
26	06-65-1155	Groove Pin	(1)				
27	45-30-0070	Ball Bearing Retaining Slug (Not Shown)	(2)				

**MILWAUKEE ELECTRIC TOOL CORPORATION**  
13135 W. LISBON RD., BROOKFIELD, WI 53005