



SERVICE PARTS LIST

BULLETIN NO.
54-14-2402

SPECIFY CATALOG NO. AND SERIAL NO. WHEN ORDERING PARTS		REVISED BULLETIN 54-14-2401	DATE Aug.'87
3/4" ELECTRIC DRILL			
CATALOG NO. 4262-1	STARTING SERIAL NO. 502-17480	WIRING INSTRUCTION 58-01-0375	
CAT. NO.	START SER. NO.	BILINGUAL LABEL	

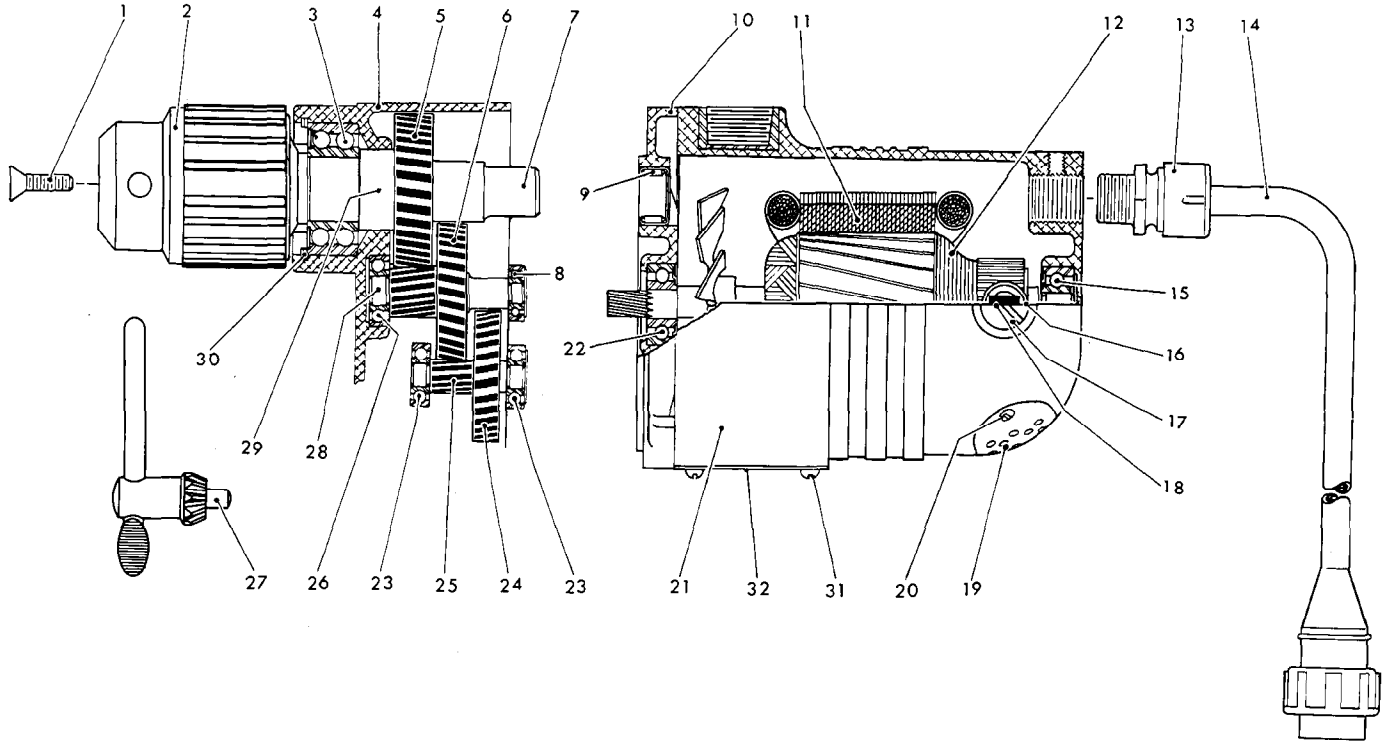


FIG.	PART NO.	DESCRIPTION OF PART	NO. REQ.
	1	06-81-3100 5/16-18x1 Skt. Hd. Screw	(1)
★	2	48-66-2085 Chuck	(1)
	3	02-20-2521 Ball Bearing	(1)
	4	28-14-0091 Gear Case	(1)
	5	32-75-1261 Spindle Gear	(1)
	6	32-44-1141 Intermediate Gear	(1)
★	7	38-50-5480 Reversing Spindle	(1)
	8	02-04-0820 Ball Bearing	(1)
	9	02-50-4820 Needle Bearing	(1)
	10	28-28-0301 Diaphragm - Includes: 06-65-1206 Groove Pin	(1)
		45-30-0070 Ball Brg. Retaining Slug	(2)
	11	18-70-0070 120 V. Field	(1)
	12	16-70-0110 120 V. Rev. Armature	(1)
	13	22-56-0280 Strain Relief	(1)
	14	22-64-0740 Cord Set	(1)
	15	02-04-1070 Ball Bearing	(1)
	16	22-22-1015 Brush Holder	(2)
	17	23-44-0030 Brush Retaining Screw	(2)
	18	22-18-0055 Carbon Brush	(2)
	19	44-66-0180 Cover Plate	(1)
	20	06-81-8650 6-32x1/4 Rd. Hd. Sem	(2)
	21	28-50-4121 Motor Housing	(1)
	22	02-04-1260 Ball Bearing	(1)
	23	02-04-0910 Ball Bearing	(2)
	24	32-42-1201 Intermediate Gear	(1)
	25	36-66-1251 Intermediate Shaft	(1)

FIG.	PART NO.	DESCRIPTION OF PART	NO. REQ.
	26	02-04-1210 Ball Bearing	(1)
	27	48-66-3160 Chuck Key	(1)
	28	36-66-1301 Intermediate Shaft	(1)
	29	45-36-0080 Spindle Spacer	(1)
	30	34-80-3800 Retaining Ring	(1)
	31	06-81-5000 1/4-20x3/8 Truss Hd. Screw	(4)
	32	44-66-0050 Body Cover Plate	(1)

MISCELLANEOUS PARTS NOT SHOWN

06-81-1975	1/4-20x2-1/4 Fil. Hd. Screw (For Fig. No. 4)	(2)
06-81-2100	1/4-20x3-1/4 Fil. Hd. Screw (For Fig. No. 4)	(2)
06-97-3800	Lockwasher (For Fig. No. 4)	(4)
06-81-9190	10-24x2-1/4 Rd. Hd. Sem (For Fig. No. 11)	(2)
12-99-0040	Nameplate	(1)
06-85-0200	6x1/4 Rd. Hd. Nameplate Screw	(2)
06-83-2650	1/4-20x3/8 Knrl. Set Screw (For Fig. No. 16)	(2)
23-86-0060	Brush Holder Washer	(2)
06-42-1200	Woodruff Key (For Fig. No. 24)	(1)
06-42-2000	Woodruff Key (For Fig. No. 6)	(1)
06-42-2400	Woodruff Key (For Fig. No. 5)	(1)
12-98-7082	Caution Plate	(1)
23-16-0830	Arc Insulator	(1)