



# SERVICE PARTS LIST

**BUL. 54-14-2400**

## 3/4" ELECTRIC DRILL

REVISED BUL. DATE  
June '75

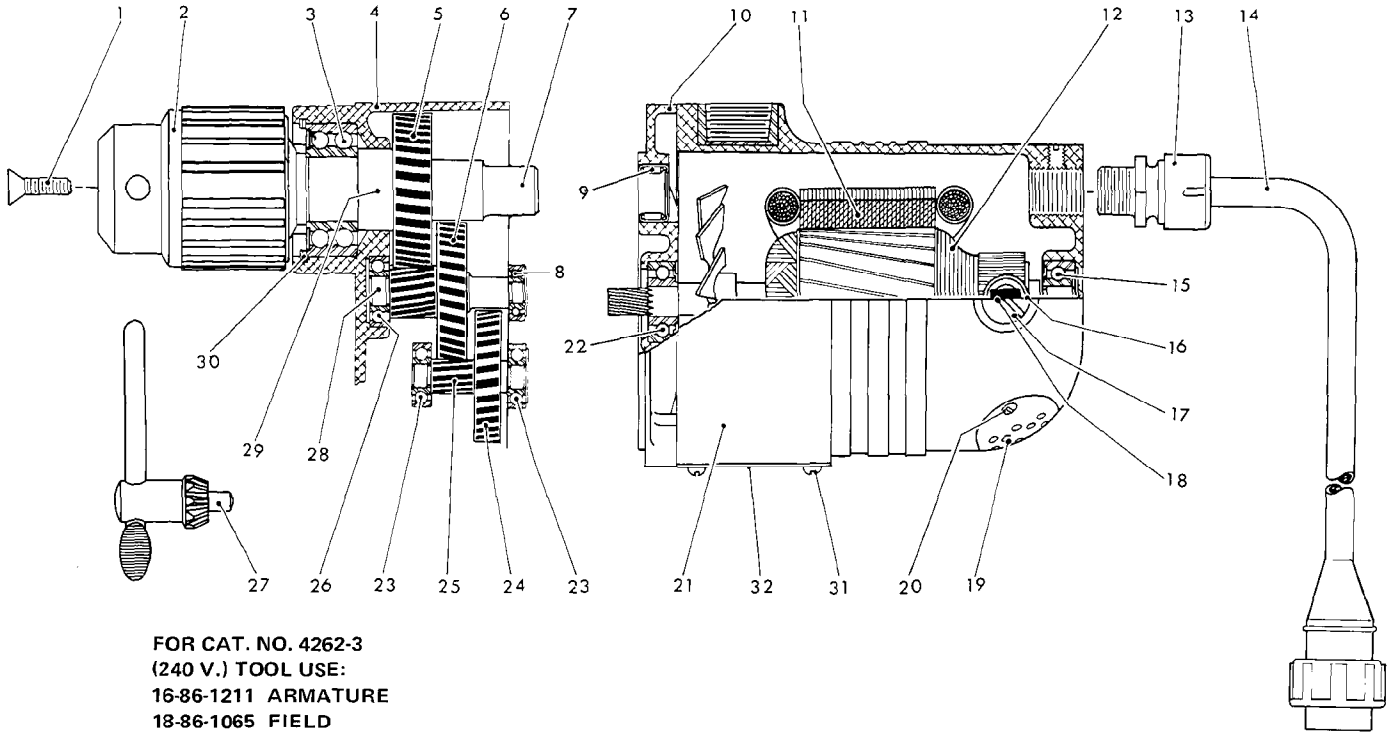
**Catalog No. 4262-1**

Starting Serial No. **502-1001**

WIRING INSTRUCTIONS  
**58-01-0371**

Specify Catalog and Serial No. when ordering parts

400 R.P.M.



**FOR CAT. NO. 4262-3  
(240 V.) TOOL USE:**  
**16-86-1211 ARMATURE**  
**18-86-1065 FIELD**  
**22-64-2740 CORD SET**  
**22-56-0285 STRAIN RELIEF**

FIG.	PART NO.	DESCRIPTION OF PART	NO.REQ.	FIG.	PART NO.	DESCRIPTION OF PART	NO.REQ.
1	06-81-3100	5/16-18x1 Skt. Hd. Screw	(1)	16	22-22-0015	Brush Holder	(2)
2	48-66-2080	Chuck	(1)	17	23-44-0030	Brush Retaining Screw	(2)
3	02-20-2520	Ball Bearing	(1)	18	22-18-0055	Carbon Brush	(2)
4	28-14-0091	Gear Case	(1)	19	44-66-0180	Cover Plate	(1)
5	32-75-1261	Spindle Gear	(1)	20	06-81-8650	6-32x1/4 Rd. Hd. Sem	(2)
6	32-44-1141	Intermediate Gear	(1)	21	28-50-4121	Motor Housing	(1)
7	38-50-4251	Reversing Spindle	(1)	22	02-04-1140	Ball Bearing	(1)
8	02-04-0820	Ball Bearing	(1)	23	02-04-0910	Ball Bearing	(2)
9	02-50-4820	Needle Bearing	(1)	24	32-42-1201	Intermediate Gear	(1)
10	28-28-0301	Diaphragm - Includes:	(1)	25	36-66-1251	Intermediate Shaft	(1)
	06-65-1205	Groove Pin	(1)	26	02-04-1210	Ball Bearing	(1)
	45-30-0070	Ball Brg. Retaining Slug	(2)	27	48-66-3160	Chuck Key	(1)
11	18-82-1070	120 V. Field	(1)	28	36-66-1301	Intermediate Shaft	(1)
12	16-82-1231	120 V. Rev. Armature	(1)	29	45-36-0080	Spindle Spacer	(1)
13	22-56-0280	Strain Relief	(1)	30	34-80-3800	Retaining Ring	(1)
14	22-64-0740	Cord Set	(1)	31	06-81-5000	1/4-20x3/8 Truss Hd. Screw	(4)
15	02-04-1070	Ball Bearing	(1)	32	44-66-0050	Body Cover Plate	(1)

**MISCELLANEOUS PARTS NOT SHOWN**

06-81-1975	1/4-20x2-1/4 Fil. Hd. Screw (For Fig. No. 4)	(2)	06-85-0200	6x1/4 Rd. Hd. Type Z (Nameplate Screw)	(2)
06-81-2100	1/4-20x3-1/4 Fil. Hd. Screw (For Fig. No. 4)	(2)	06-83-2650	1/4-20x3/8 Knrl. Set Screw (For Fig. No. 16)	(2)
06-97-3800	Lockwasher (For Fig. No. 4)	(4)	23-86-0060	Brush Holder Washer	(2)
06-81-1150	10-24x3-1/8 Fil. Hd. Screw (For Fig. No. 11)	(2)	06-42-1200	Woodruff Key (For Fig. No. 24)	(1)
06-97-2200	Lockwasher (For Fig. No. 11)	(2)	06-42-2000	Woodruff Key (For Fig. No. 6)	(1)
12-99-0040	Nameplate	(1)	06-42-2400	Woodruff Key (For Fig. No. 5)	(1)
			12-98-7081	Caution Plate	(1)