



# SERVICE PARTS LIST

**BUL.54-14-2002**

**3/4" ELECTRIC DRILL**

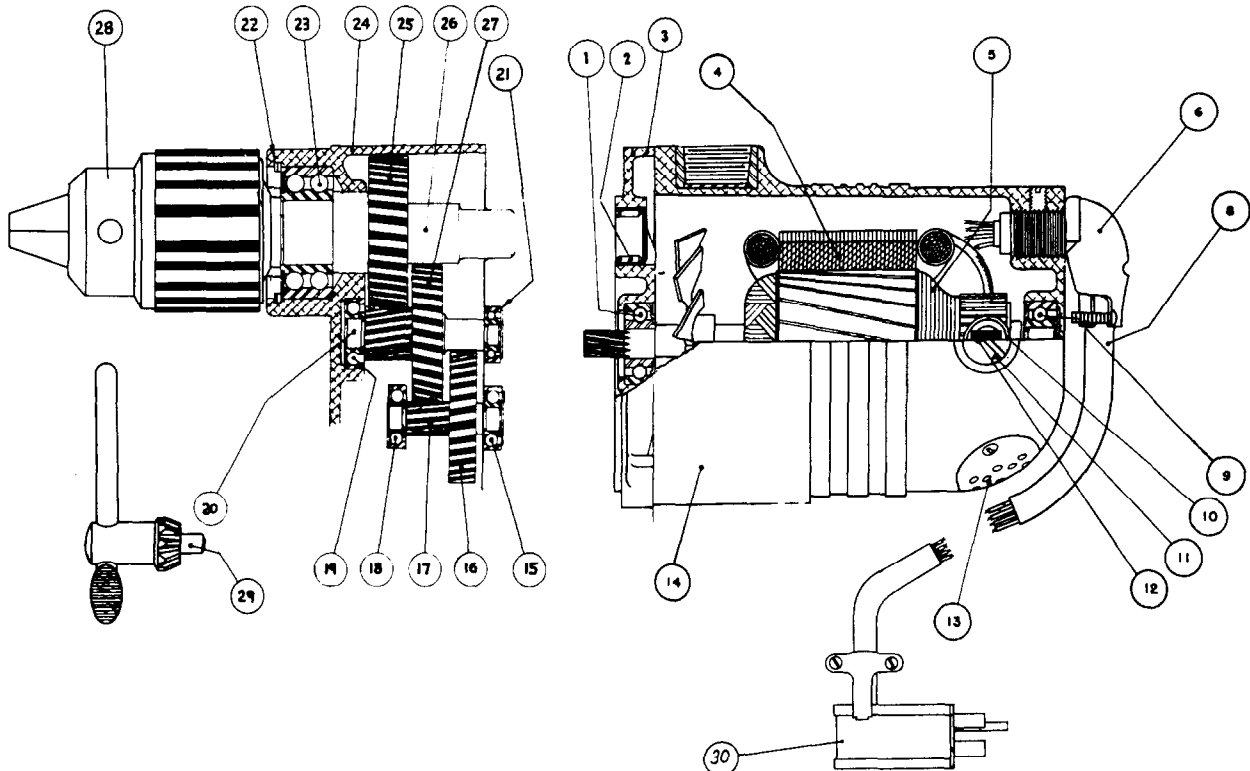
REVISED BUL 6299-3 DATE April '68

**Catalog No. 4260-1**

Starting Serial No. **299-1705**

WIRING INSTR. **58-01-0370**

Both Model and Serial No. must be furnished to obtain correct parts.



**ILLUSTRATED PARTS**

FIG.	PART NO.	DESCRIPTION OF PART	FIG.	PART NO.	DESCRIPTION OF PART
1	02-04-1140	Ball Bearing (Pinion End)	16	32-42-1201	Intermediate Gear
2	02-50-4820	Needle Bearing	17	36-66-1251	Pinion Shaft
3	28-28-0301	Diaphragm	18	02-04-0910	Ball Bearing
4	18-82-1070	Field Assembly	19	02-04-1210	Ball Bearing
5	16-82-1231	Armature Assembly	20	36-66-1301	Pinion Shaft
6	22-56-0060	Right Angle Connector	21	02-04-0820	Ball Bearing
8	22-64-0530	Cord (4-Wire)	22	34-80-3800	Retaining Ring
9	02-04-1070	Ball Bearing	23	02-20-2520	Ball Bearing
10	22-22-0015	Brush Holder Assembly (2)	24	28-14-0091	Gear Case
11	23-44-0030	Brush Retaining Screw (2)	25	32-75-1261	Spindle Gear
12	22-18-0055	Carbon Brush Assembly (2)	26	38-50-4251	Spindle
13	44-66-0180	Air Intake Cover Plate	27	32-44-1141	Intermediate Gear
14	28-50-4121	Motor Housing	28	48-66-2080	Chuck
15	02-04-0910	Ball Bearing	29	48-66-3160	Chuck Key
			30	22-56-0210	Cinch Plug

**MISCELLANEOUS PARTS NOT SHOWN**

PART NO.	DESCRIPTION OF PART	PART NO.	DESCRIPTION OF PART
12-98-0900	Name Plate	06-81-2100	1/4-20x3-1/4 Fil. Hd. Gear Case Scr. (2)
45-30-0070	Ball Bearing Retainer Slug (2)	06-42-1200	Woodruff Key
*06-81-8400	4-40x1/4 Rd. Hd. Name Plate Sem (2)	06-42-2000	Woodruff Key
06-81-1975	1/4-20x2-1/4 Fil. Hd. Gear Case Screw (2)	06-42-2400	Woodruff Key
06-83-2650	1/4-20x3/8 Hd'less Brush Holder Set Scr. (2)	44-66-0050	Body Cover Plate
*06-83-2650	1/4-20x3/8 Hd'less Set Screw	06-81-1150	10-24x3-1/8 Fil. Hd. Field Screw (2)
*06-97-3400	Lock Washer (2)	45-36-0080	Spindle Spacer
*06-97-3800	Lock Washer (4)	*06-81-3100	5/16-18x1 Socket Hd. Screw
*06-81-5000	1/4-20x3/8 Truss Hd. Screw (4)	*06-81-8650	6-32x1/4 Rd. Hd. Air Intake Plate Sem (2)