

# SERVICE PARTS LIST

**BULLETIN NO.**  
**54-14-1120**

SPECIFY CATALOG NO. AND SERIAL NO. WHEN ORDERING PARTS		REVISED BULLETIN	DATE
<b>1/2" POWER PACK DRILL MOTOR</b>			April '84
<b>CATALOG NO. 4253-1</b>	<b>STARTING SERIAL NO. 587-1001</b>	<b>WIRING INSTRUCTION</b>	
		<b>58-01-0402</b>	
<b>CAT. NO. 4253-6</b>	<b>START SER. NO. 587-1001</b>	<b>BILINGUAL LABEL 10-98-6120</b>	

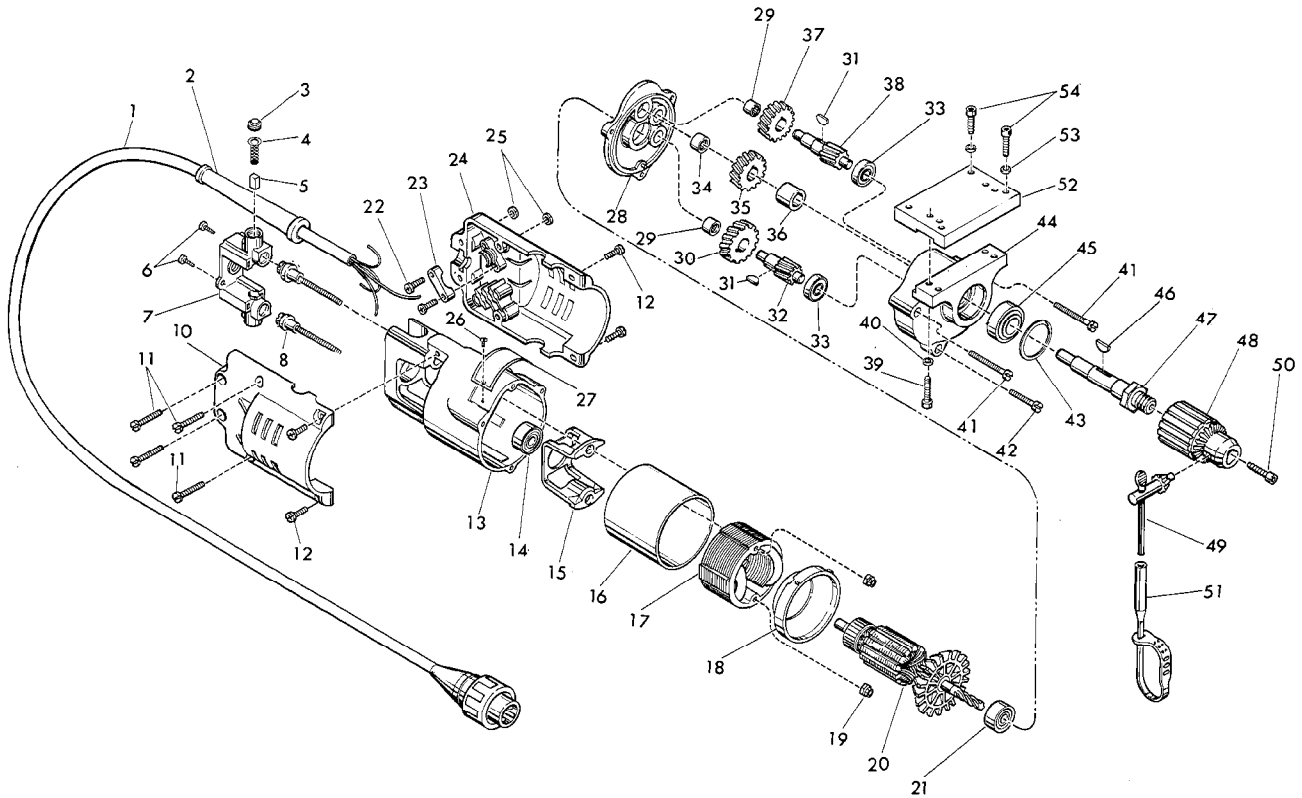


FIG.	PART NO.	DESCRIPTION OF PART	NO. REQ.	FIG.	PART NO.	DESCRIPTION OF PART	NO. REQ.
1	22-64-0760	Cord Set	(1)	30	32-40-1241	Intermediate Gear	(1)
2	44-76-0050	Cord Protector	(1)	31	06-42-0800	Woodruff Key	(2)
3	23-44-0190	Brush Retailing Screw	(2)	32	36-66-2801	Intermediate Shaft	(1)
4	23-52-0160	Brush Spring	(2)	33	02-04-0640	Ball Bearing	(2)
5	22-16-0275	Carbon Brush	(2)	34	02-50-2110	Needle Bearing	(1)
6	06-95-0116	6-32 x 5/8" Pan Hd. Taptite Screw	(2)	35	32-75-2061	Spindle Gear	(1)
7	22-22-1330	Brush Holder Assembly	(1)	36	45-36-0210	Spindle Gear Spacer	(1)
8	06-81-1058	Insulated Field Bolt	(2)	37	32-75-2041	Spindle Gear	(1)
10	31-15-0120	Cover Half	(1)	38	36-66-2901	Intermediate Shaft	(1)
11	06-81-0425	8-32x7/8 Pan Hd Screw	(4)	39	06-75-3090	1/4-20x7/8 Skt Hd Screw	(4)
12	06-95-0700	8-32 x 1/2" Pan Hd. Taptite Screw	(4)	40	06-97-4050	1/4 Lock Washer	(4)
13	28-50-6147	Motor Housing	(1)	41	06-81-6707	8-32x1-7/8 Fil Hd Sem	(2)
14	02-04-0891	Ball Bearing	(1)	42	06-81-6402	8-32x1-1/8 Fil Hd Sem	(1)
15	31-55-0030	Coil Shield	(1)	43	34-80-2500	Retaining Ring	(1)
16	23-16-0456	Field Insulator	(1)	44	28-14-0761	Gear Case	(1)
17	18-30-0100	120V Field	(1)	45	02-04-1560	Ball Bearing	(1)
18	31-05-0050	Baffle	(1)	46	06-42-1600	Woodruff Key	(1)
19	06-57-2975	8-32 Flexlock Nut	(2)	47	38-50-3651	Spindle	(1)
20	16-30-0220	120V Armature	(1)	48	48-66-1360	1/2" Chuck (Includes Fig. No. 49)	(1)
21	02-04-0940	Ball Bearing	(1)	49	48-66-3280	Chuck Key	(1)
22	06-81-4205	6-32x3/4 Phillips Pan Hd Mach Screw	(2)	50	06-75-3150	1/4-20x1 L.H. Skt Hd Cap Screw	(1)
23	31-17-0065	Cord Clamp	(1)	51	48-66-4040	Key Holder	(1)
24	31-15-0121	Cover Half Assembly	(1)	52	42-04-0580	Adaptor Plate	(1)
25	06-55-0825	8-32 Hex Nut	(4)	53	06-97-4050	1/4 Lock Washer	(4)
26	06-85-0200	Nameplate Screw	(2)	54	06-75-3050	1/4-20x3/4 Skt Hd Screw	(4)
27	12-99-0030	Nameplate Blank	(1)	▶ 55	12-98-7082	Caution Plate (Not Shown)	(1)
28	28-28-0662	Diaphragm (Includes 06-65-0825 Groove Pin)	(1)				
29	02-50-1640	Needle Bearing	(2)				

▶ Omit for Canadian Tools