



SERVICE PARTS LIST

BUL. 54-14-1002

1/2" ELECTRIC DRILL

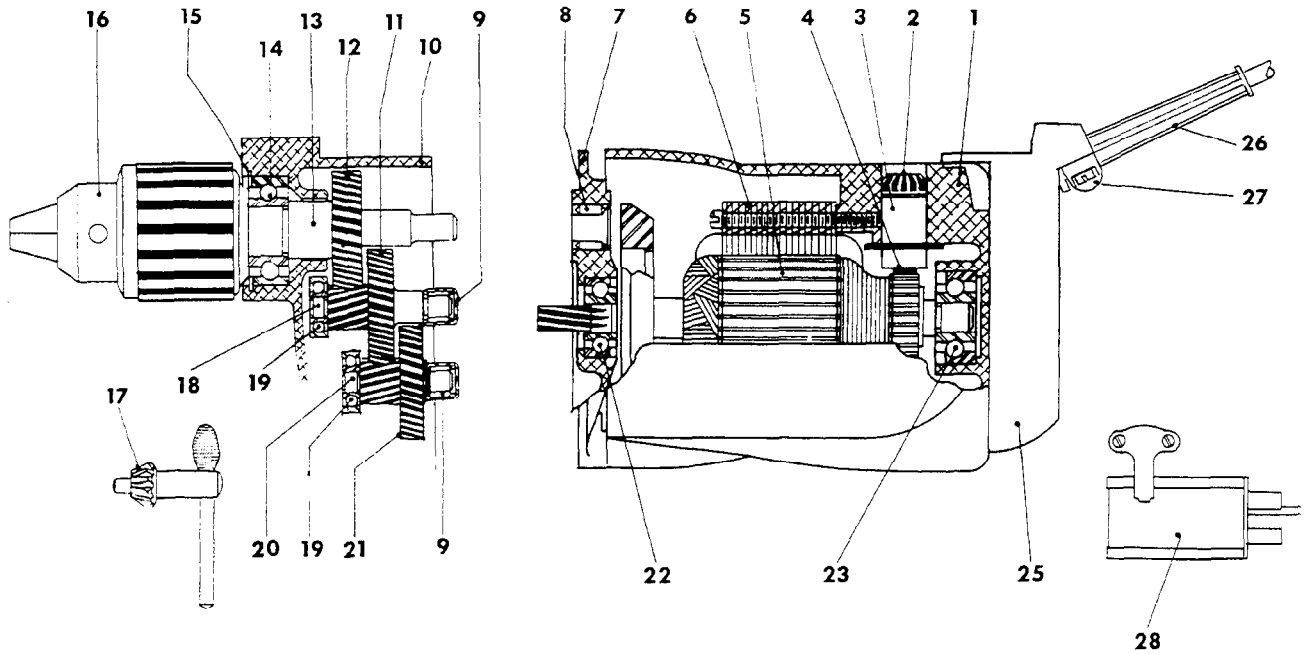
REVISED BUL 54-14-1001 DATE March '71

Catalog No. 4250-1

Starting Serial No. **298-2304**

WIRING INSTR. **58-01-0400**

Both Model and Serial No. must be furnished to obtain correct parts.



230V Motor
16-46-1190 Armature
18-46-1040 Field

ILLUSTRATED PARTS

FIG.	PART NO	DESCRIPTION OF PARTS	FIG.	PART NO	DESCRIPTION OF PARTS	
1	28-50-4642	Motor Housing	15	34-80-2500	Retaining Ring	
2	23-44-0060	Brush Retaining Screw	(2)	16	48-66-1360	Chuck
3	22-22-0080	Brush Holder Assembly	(2)	17	48-66-1280	Chuck Key
4	22-18-0100	Carbon Brush Assembly	(2)	18	36-66-2901	Intermediate Pinion Shaft
5	16-42-1210	Armature Assembly		19	02-04-0640	Ball Bearing
6	18-42-1040	Field Assembly		20	36-66-2801	Intermediate Pinion Shaft
7	28-28-0661	Diaphragm		21	32-40-1241	Intermediate Gear
8	02-50-2110	Needle Bearing		22	02-04-0940	Ball Bearing (Pinion end)
9	02-50-1640	Needle Bearing	(2)	23	02-04-0970	Ball Bearing (Comm. end)
10	28-14-0761	Gear Case		25	28-50-1381	Cord Set Housing
11	32-75-2041	Spindle Gear		26	22-64-0060	Cord Set
12	32-75-2061	Spindle Gear		27	28-17-0400	Cord Clamp Strap
13	38-50-3651	Spindle		28	22-56-0210	Cinch Plug
14	02-04-1560	Ball Bearing				

MISCELLANEOUS PARTS NOT SHOWN

PART NO	DESCRIPTION OF PART	PART NO.	DESCRIPTION OF PART	
06-42-0800	Woodruff Keys	(2)	06-81-6350	8-32x1" Fil. Hd. Gear Case Sem
★ 06-85-0200	6 x 1/4 Rd. Hd. Type Z Screw	(2)	06-81-6600	8-32x1-3/4" Fil. Hd. Field Sem
23-86-0110	Brush Holder Insulator Washer	(2)	06-83-2670	1/4-20x1/2" Hd'less Brush Holder Set Sc.
12-98-0800	Name Plate		06-81-6650	8-32x1-3/4" Fil. Hd. Gear Case Screw
06-81-6150	8-32x1/2" Fil. Hd. Cord Clamp Sem	(2)	06-75-3150	1/4-20x1" Socket Hd. Cap Screw
06-81-7150	10-24x1-3/8" Cord Housing Screw	(2)	06-42-1600	Woodruff Key
45-36-0210	Spindle Gear Spacer		48-66-4040	Rubber Key Holder