



SERVICE PARTS LIST

BUL. 54-14-1001

1/2" ELECTRIC DRILL

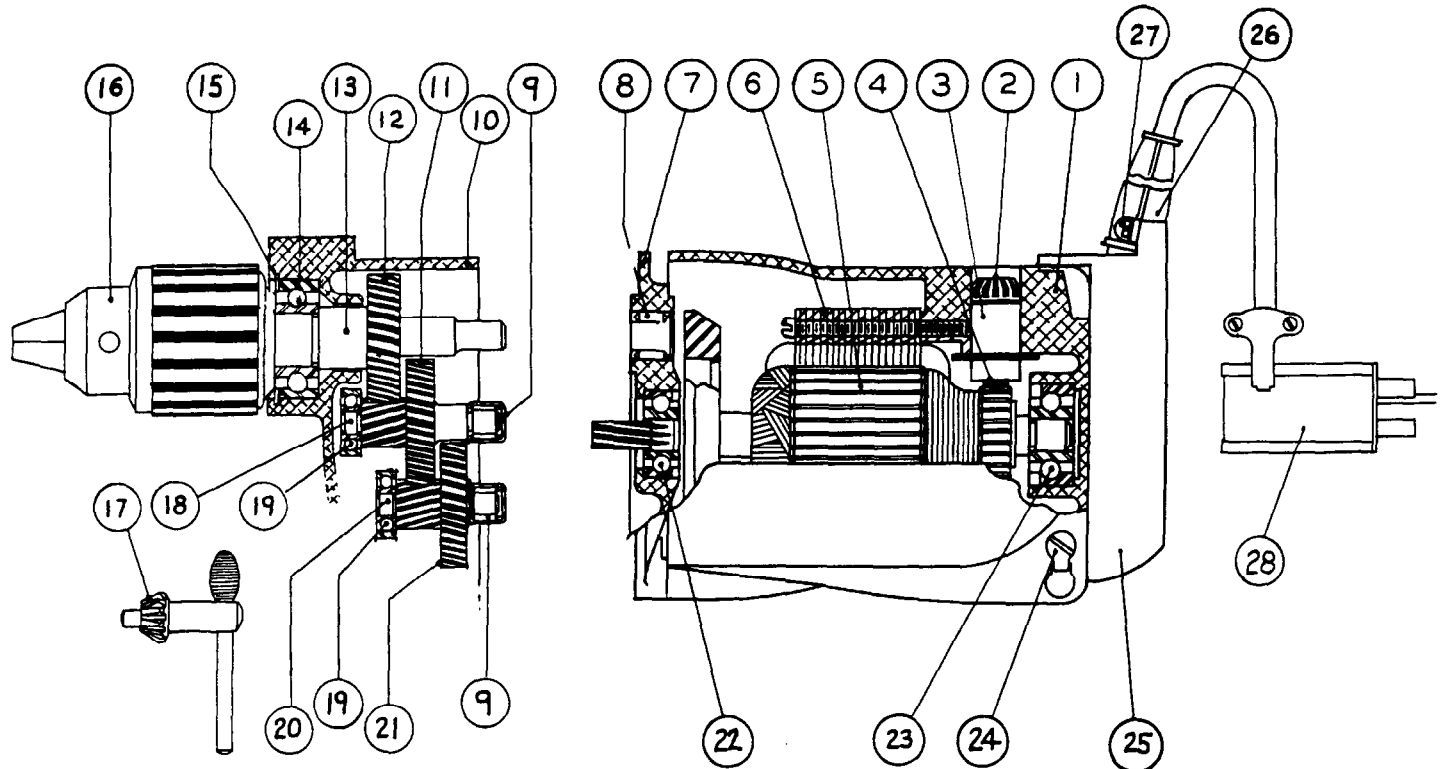
REVISED BUL 6298-2 DATE April '68

Catalog No. 4250-1

Starting Serial No. **298-1172**

WIRING INSTR. **58-01-0400**

Both Model and Serial No. must be furnished to obtain correct parts.



230V Motor
16-46-1190 Armature
18-46-1040 Field

ILLUSTRATED PARTS

FIG.	PART NO.	DESCRIPTION OF PARTS
1	28-50-4642	Motor Housing
2	23-44-0060	Brush Retaining Screw
3	22-22-0080	Brush Holder Assembly
4	22-18-0100	Carbon Brush Assembly
5	16-42-1210	Armature Assembly
6	18-42-1040	Field Assembly
7	28-28-0661	Diaphragm
8	02-50-2110	Needle Bearing
9	02-50-1640	Needle Bearing
100	28-14-0761	Gear Case
11	32-75-2041	Spindle Gear
12	32-75-2061	Spindle Gear
13	38-50-3651	Spindle
14	02-04-1560	Ball Bearing

FIG.	PART NO.	DESCRIPTION OF PARTS
15	34-80-2500	Retaining Ring
16	48-66-1360	Chuck
17	48-66-1280	Chuck Key
18	36-66-2901	Intermediate Pinion Shaft
19	02-04-0640	Ball Bearing
20	36-66-2801	Intermediate Pinion Shaft
21	32-40-1241	Intermediate Gear
22	02-04-0940	Ball Bearing (Pinion end)
23	02-04-0970	Ball Bearing (Comm. end)
24	42-70-0080	Key Clip
25	28-50-1381	Cord Set Housing
26	22-64-0060	Cord Set
27	28-17-0400	Cord Clamp Strap
28	22-56-0210	Cinch Plug

MISCELLANEOUS PARTS NOT SHOWN

PART NO.	DESCRIPTION OF PART
06-42-0800	Woodruff Keys
*06-81-4300	3-48x3/16" Rd. Name Plate Screw
23-86-0110	Brush Holder Insulator Washer
*12-98-0800	Name Plate
*06-81-6150	8-32x1/2" Fil. Hd. Cord Clamp Sem
06-81-7150	10-24x1-3/8" Cord Housing Screw
*45-36-0210	Spindle Gear Spacer

PART NO.	DESCRIPTION OF PART
06-81-6350	8-32x1" Fil. Hd. Gear Case Sem
06-81-6600	8-32x1-3/4" Fil. Hd. Field Sem
*06-83-2670	1/4-20x1/2" Hd'less Brush Holder Set Sc.
06-81-6650	8-32x1-3/4" Fil. Hd. Gear Case Screw
06-75-3150	1/4-20x1" Socket Hd. Cap Screw
*06-42-1600	Woodruff Key
*06-81-8650	6-32x1/4" Rd. Hd. Sem