



SERVICE PARTS LIST

BUL. 54-14-1000

1/2" ELECTRIC DRILL

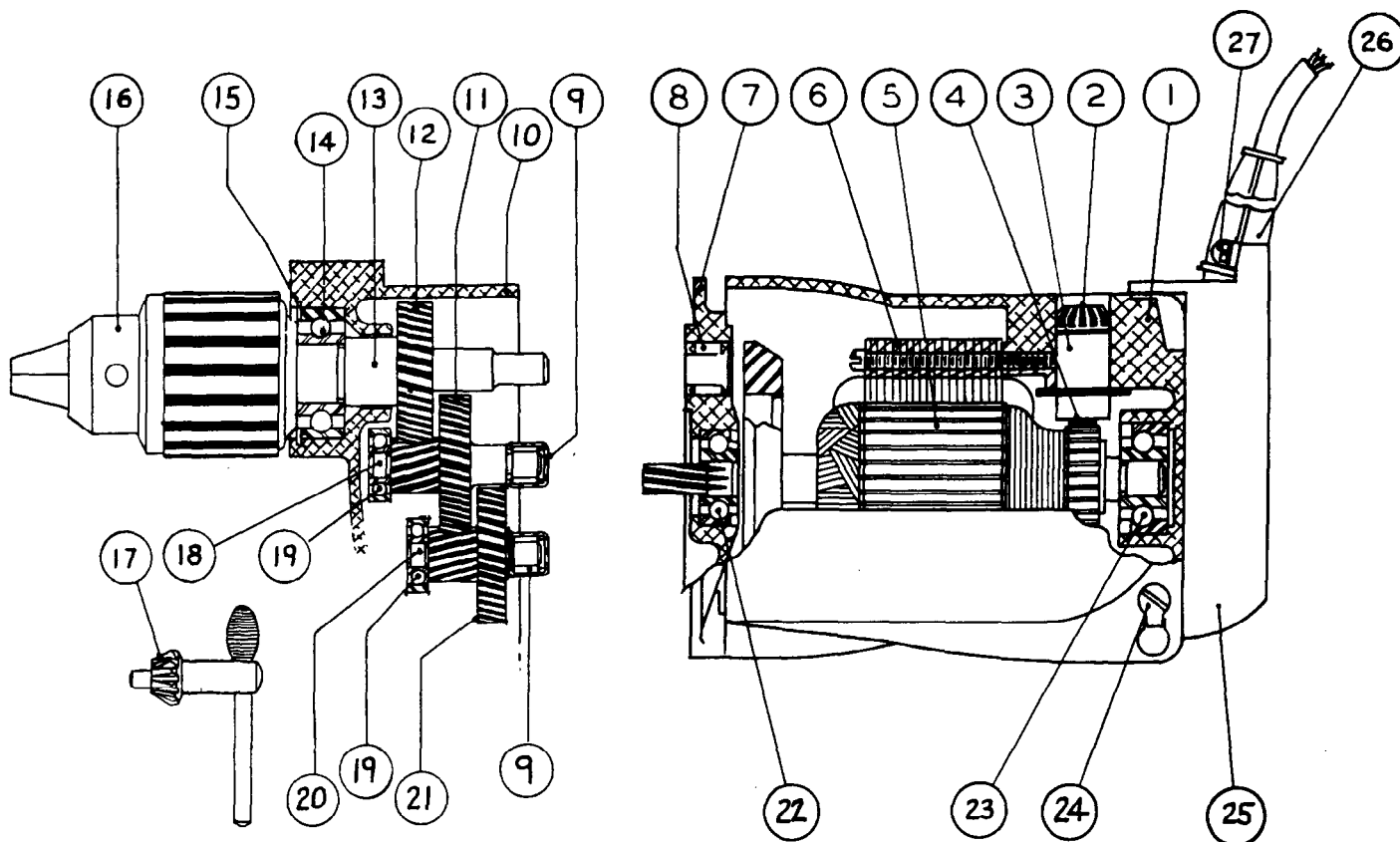
REVISED BUL. 6298-1 DATE FEB. '68

Catalog No. 4250-1

Starting Serial No. 298-1001

WIRING INSTR.

Both Model and Serial No. must be furnished to obtain correct parts.



CORRECTS & SUPERCEDES
SERVICE BULLETIN 6298-1
DATED 3/15/62

ILLUSTRATED PARTS

FIG.	PART NO.	DESCRIPTION OF PART	FIG.	PART NO.	DESCRIPTION OF PART
1	28-50-4642	Motor Housing	15	34-80-2500	Ret. Ring
2	23-44-0060	Brush Retaining Screw (2)	16	48-66-1360	1/2" Chuck
3	22-22-0080	Brush Holder Assembly (2)	17	48-66-1280	Chuck Key
4	22-18-0100	Carbon Brush Assembly (2)	18	36-66-2901	Intermediate Pinion Shaft
5	16-42-1210	Armature Assembly	19	02-04-0640	Ball Bearing (2)
6	18-42-1040	Field Assembly	20	36-66-2801	Intermediate Pinion Shaft
7	28-28-0581	Diaphragm	21	32-40-1241	Intermediate Gear
8	02-50-2110	Needle Bearing	22	02-04-0940	Ball Bearing (Pinion end)
9	02-50-1640	Needle Bearing (2)	23	02-04-0970	Ball Bearing (Comm. end)
10	28-14-0761	Gear Case	24	42-70-0080	Key Clip
11	32-75-2041	Spindle Gear	25	28-50-1381	Cord Set Housing
12	32-75-2061	Spindle Gear	26	22-64-0060	Cord Set
13	38-50-3651	Spindle	27	28-17-0400	Cord Clamp Strap
14	02-04-1560	Ball Bearing			

230V Motor
16-46-1190 Armature
18-46-1040 Field

MISCELLANEOUS PARTS NOT SHOWN

PART NO.	DESCRIPTION OF PART	PART NO.	DESCRIPTION OF PART
06-42-0800	Woodruff Keys (3)	06-81-6350	8-32x1 Fil Hd. Gear Case Sems
06-81-8400	4-40x1/4 Rd. Hd. Name Plate Screws	06-81-6600	8-32x1-3/4 Fil Hd. Field Sems (2)
23-86-0110	Brush Holder Insulator Washer	06-83-2650	1/4-20x3/8 Hd'less Brush Holder Set Screws (2)
12-98-5600	Name Plate	06-81-6650	8-32x1-3/4 Fil Hd. Gear Case Screws (2)
06-81-6100	8-32x7/16 Fil Hd. Cord Clamp Strap Sems (2)	06-75-3150	1/4-20x1 Socket Hd. Cap Screw