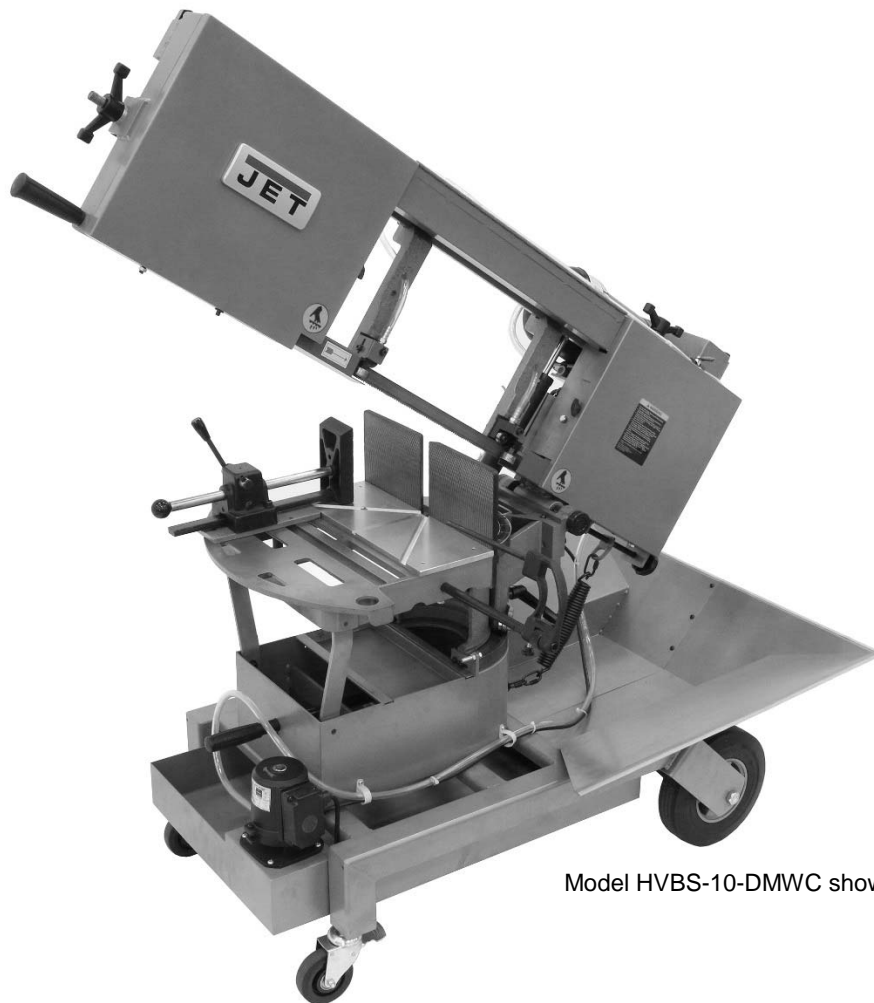




Operating Instructions and Parts Manual Portable Dual Mitering Band Saws

Models HVBS-8-DMW, HVBS-10-DMW, HVBS-10-DMWC



Model HVBS-10-DMWC shown

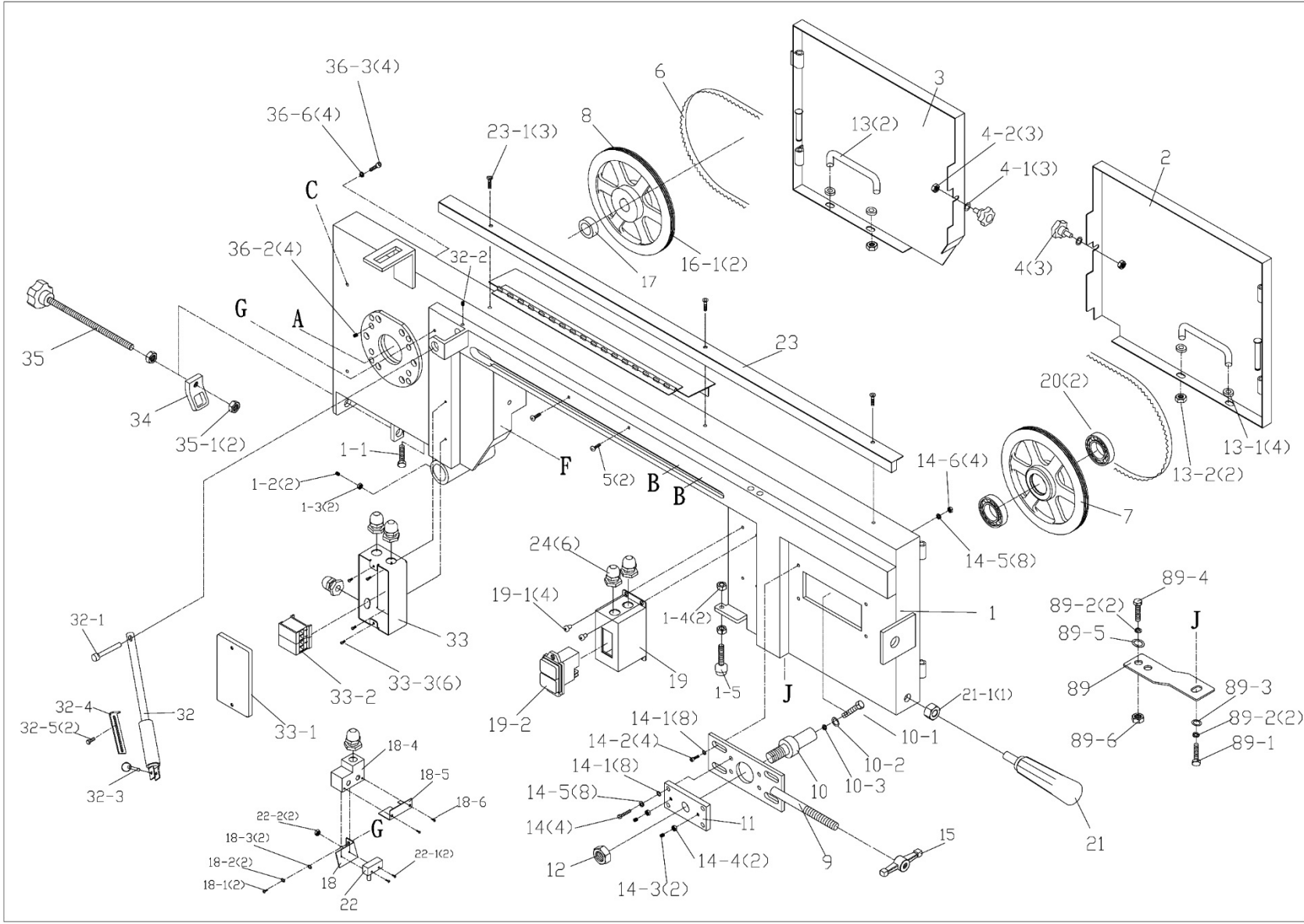
For HVS-8-DMW after serial no. 1701BG00017
For HVS-10-DMW after serial no. 1701BK00017

JET
427 New Sanford Road
LaVergne, Tennessee 37086
Ph.: 800-274-6848
www.jettools.com

Part No. M-424460
Edition 5 05/2017
Copyright © 2017 JET

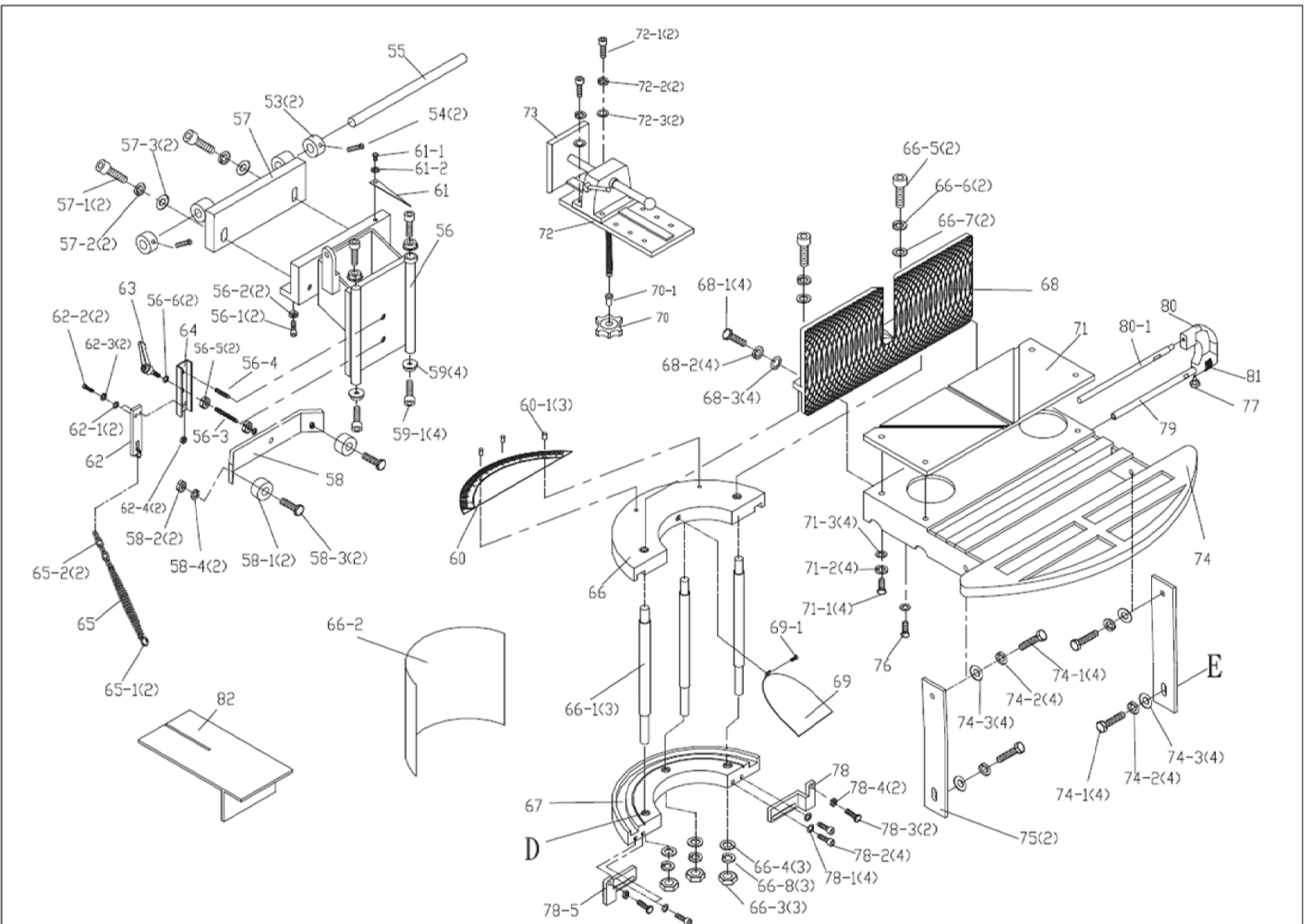
11.1.1 HVBS-8-DMW Bow Assembly – Exploded View

Figure 11-1



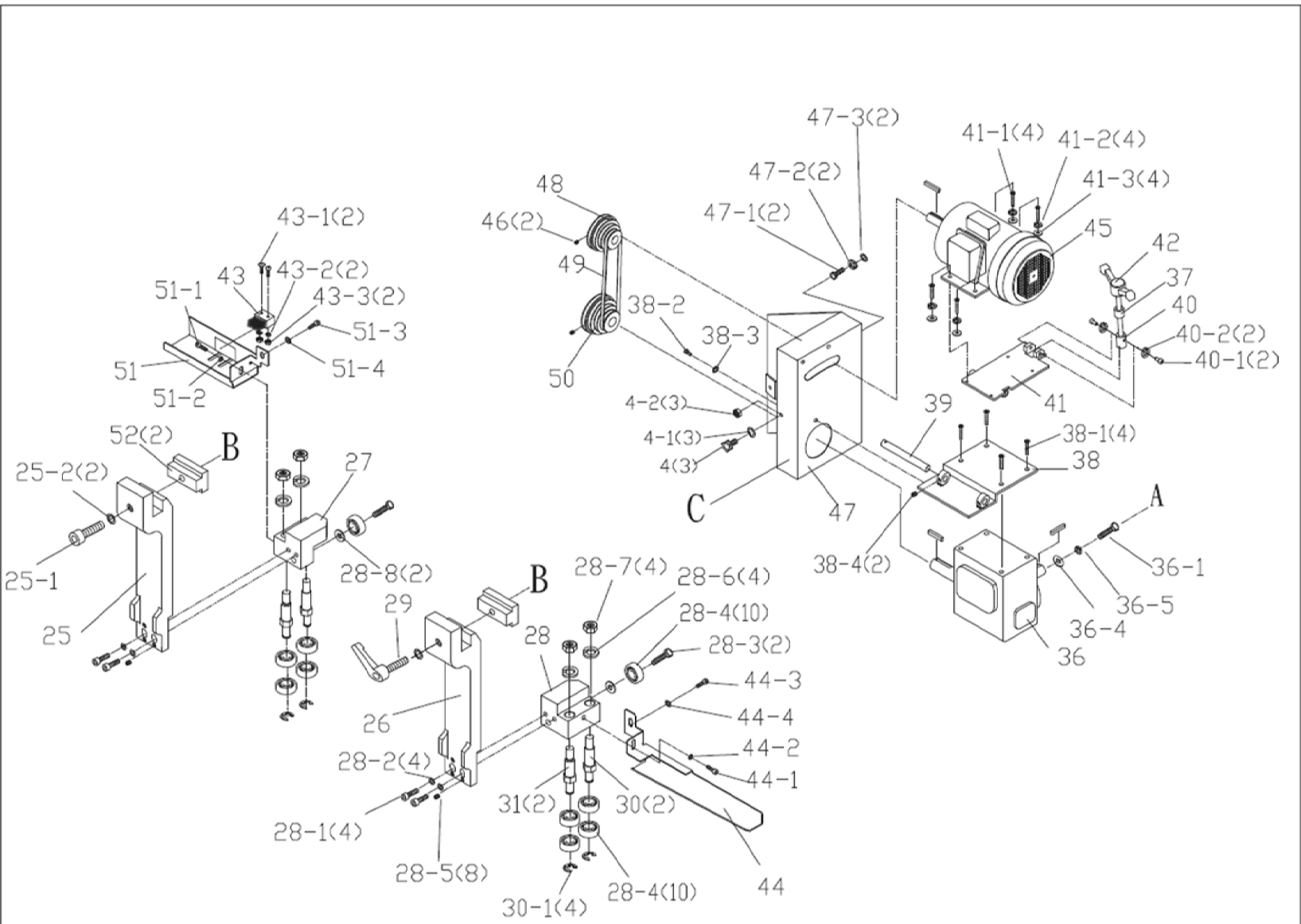
11.1.2 HVBS-8-DMW Table Assembly – Exploded View

Figure 11-2



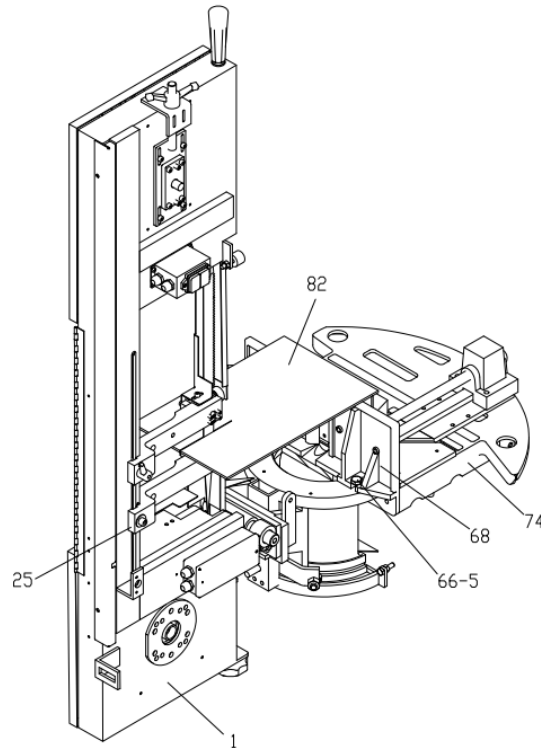
11.1.3 HVBS-8-DMW Motor and Support Arm Assembly – Exploded View

Figure 11-3



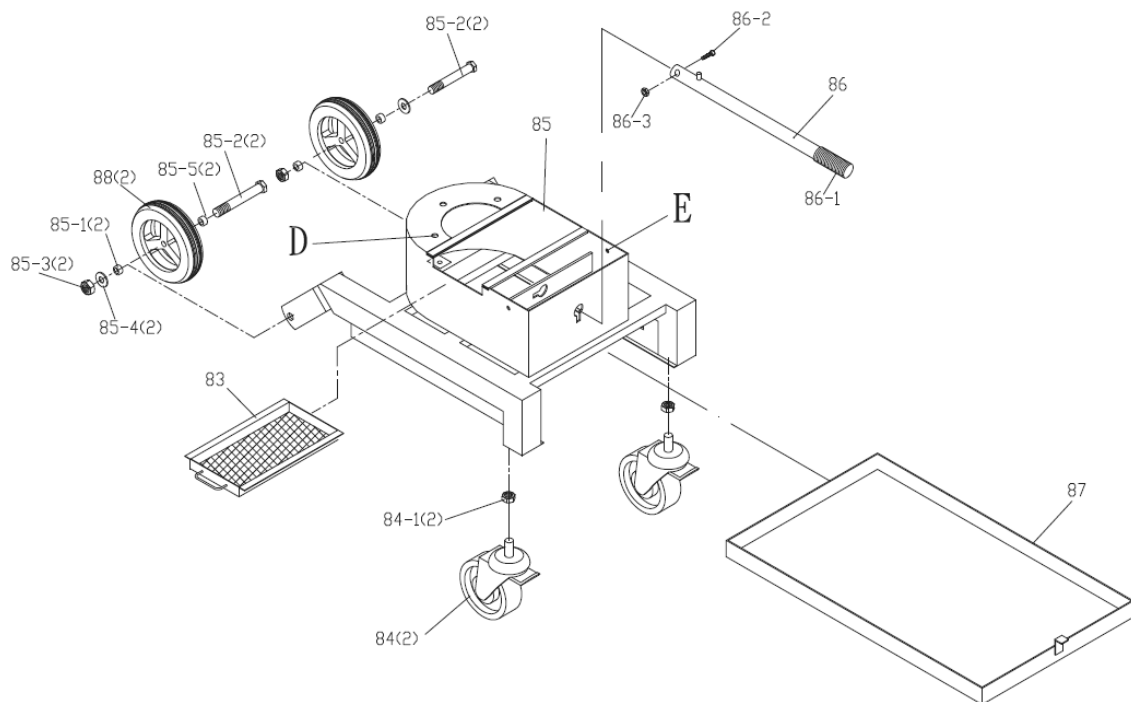
11.1.4 HVBS-8-DMW Vise and Table Assembly – Exploded View

Figure 11-4



11.1.5 HVBS-8-DMW Base Assembly – Exploded View

Figure 11-5



11.1.6 HVBS-8-DMW – Parts List

Index No	Part No	Description	Size	Qty
1	HVBS-8-DMW-1	Saw Bow		1
1-1	TS-1490091	Hex Cap Bolt	M8-1.25x45L	1
1-2	TS-1524051	Set Screw	M8-1.25x20L	2
1-3	TS-2331081	Hex Nut	M8-1.25	2
1-4	TS-0570021	Hex Nut	5/16"-18	2
1-5	HVBS-8-DMW-1-6	Stop Screw		1
2	HVBS-8-DMW-2	Idler Wheel Guard		1
3	HVBS-8-DMW-3	Drive Wheel Guard		1
4	HVBS-8-DMW-4	Handle Screw		3
4-1	TS-1550041	Flat Washer	6mm	3
4-2	TS-0640071	Hex Nylon Lock Nut	M6	3
5	TS-2284082	Phillips Pan Hd Machine Screw	M4-0.7x8	1
6	HVBS-8-DMW-6	Saw Blade	5/8T, 3/4 x 0.035 x 103"L, (19x0.9x2616 mm)	1
7	HVBS-8-DMW-7	Idler Wheel		1
8	HVBS-8-DMW-8	Drive Wheel		1
9	HVBS-8-DMW-9	Tension Slider		1
10	HVBS-8-DMW-10	Idle Wheel Shaft		1
10-1	TS-1490021	Hex Cap Bolt	M8-1.25x15L	1
10-2	TS-1550061	Flat Washer	8mm	1
10-3	TS-2361081	Lock Washer	8mm	1
11	HVBS-8-DMW-11	Slider Cover		1
12	TS-2311161	Hex Nut	M16-2.0	1
13	HVBS-8-DMW-13	Guard Prop		2
13-1	HVBS-8-DMW-13-1	Grommet		4
13-2	TS-1540061	Hex Nut	M8-1.25	2
14	TS-1482041	Hex Cap Bolt	M6-1.0x20L	4
14-1	TS-1550041	Flat Washer	6mm	8
14-2	TS-1482041	Hex Cap Bolt	M6-1.0x20L	4
14-3	TS-1524051	Set Screw	M8-1.25x20L	2
14-4	TS-1540061	Hex Nut	M8-1.25	2
14-5	TS-2361061	Lock Washer	M6	8
14-6	TS-1540041	Hex Nut	M6	4
15	HVBS-8-DMW-15	Handle		1
16-1	HVBS-8-DMW-16	Tire		2
17	HVBS-8-DMW-17	Spacer Ring		1
18	HVBS-8-DMW-18	Bracket		1
18-1	F001214	Phillips Pan Hd Machine Screw	M6-1.0x8L	2
18-2	TS-2361061	Lock Washer	M6	2
18-3	TS-0680021	Flat Washer	1/4"	2
18-4	HVBS-8-DMW-18-4	Switch cover		1
18-5	HVBS-8-DMW-18-5	Cover		1
18-6	TS-2171012	Phillips Pan Hd Machine Screw	M4-0.7x6	2
19	HVBS-8-DMW-19	Switch Box		1
19-1	HVBS-8-DMW-19-1	Phillips Pan Hd Machine Screw	M5-0.8x8L	4
19-2	HVBS-8-DMW-19-2	Magnetic Switch	KJD17B	1
20	BB-R10ZZ	Bearing	R10ZZ	2
21	HVBS-8-DMW-21	Handle		1
21-1	TS-2311121	Hex Nut	M12-1.75	1
22	HVBS-8-DMW-22	Limit Switch		1
22-1	HVBS-8-DMW-22-1	Phillips Pan Hd Machine Screw	M4-0.7x25L	2
22-2	TS-1540021	Hex Nut	M4-0.7	2
23	HVBS-8-DMW-23	Cable Cover		1
23-1	HVBS-8-DMW-23-1	Phillips Pan Hd Machine Screw	M6-1.0x10L	2
24	HVBS-8-DMW-24	Strain Relief	PG-9	6
25	HVBS-8-DMW-25	Fixed Guide Arm		1
25-1	TS-0209061	Hex Socket Cap Screw	3/8"-16NCx1-1/4"L	1
25-2	TS-0680041	Flat Washer	3/8"	2
26	HVBS-8-DMW-26	Movable Guide Arm		1
27	HVBS-8-DMW-27	Fixed Guide Block		1
28	HVBS-8-DMW-28	Movable Guide Block		1

Index No	Part No	Description	Size	Qty
28-1	TS-1503061	Hex Socket Cap Screw	M6-1.0x25L	4
28-2	TS-1550041	Flat Washer	6mm	4
28-3	TS-1504041	Hex Socket Cap Screw	M8-1.25x20L	2
28-4	BB-608ZZ	Bearing	608ZZ	10
28-5	TS-1523051	Set Screw	M6-1.0x16L	8
28-6	TS-2361081	Lock Washer	M8	4
28-7	TS-1540061	Hex Nut	M8	4
28-8	TS-1550061	Flat Washer	8mm	2
29	HVBS-8-DMW-29	Handle	TRT80 3/8x30L	1
30	HVBS-8-DMW-30	Bearing Shaft		2
30-1	PB85-115	E-clip	E7	4
31	HVBS-8-DMW-31	Eccentric Shaft		2
32	HVBS-8-DMW-32	Hydraulic Cylinder		1
	HVBS-8-DMW-32N	Hydraulic Cylinder (After #1701BG00017)		1
32-1	HVBS-8-DMW-32-1	Cylinder Pin		1
	HVBS-8-DMW-32-1N	Cylinder Pin (After #1701BG00017)		1
32-2	HVBS-8-DMW-32-2	Screw	M8-1.25x25L	1
32-3	HVBS-8-DMW-32-3	Linch Pin		1
32-4	HVBS-8-DMW-32-4	Stop		1
32-5	TS-2246082	Button Head Socket Screw	M6x8	2
33	HVBS-8-DMW-33	Junction Box		1
33-1	HVBS-8-DMW-33-1	Box Cover		1
33-2	HVBS-8-DMW-33-2	Terminal Block		2
33-3	HVBS-8-DMW-33-3	Phillips Pan Hd Machine Screw	M4-0.7x8L	4
34	HVBS-8-DMW-34	Spring Holder		1
35	HVBS-8-DMW-35AS	Adjusting Screw Assembly		1
35-1	TS-0561051	Hex Nut	1/2"-13	2
36	HVBS-8-DMW-36	Gearbox		1
36-1	TS-0081031	Hex Cap Bolt	5/16"-18NCx3/4L	1
36-2	TS-1524051	Set Screw	M8-1.25x20L	4
36-3	TS-0208041	Hex Socket Cap Screw	5/16"-18NCx3/4"L	4
36-4	TS-1550061	Flat Washer	M8	1
36-5	TS-0720081	Lock Washer	5/16"	1
36-6	TS-0720081	Lock Washer	5/16"	4
37	HVBS-8-DMW-37	Collar		1
38	HVBS-8-DMW-38-1	Motor Tilt Plate		1
38-1	TS-1335052	Phillips Pan Hd Machine Screw	5/16"-18NCx3/4L	4
38-2	F009919	Button Head Socket Screw	M5-0.8x6L	1
38-3	TS-1540031	Hex Nut	M5	1
38-4	HVBS-8-DMW-38-4	Set Screw	M6-1.0x8L	2
39	HVBS-8-DMW-39	Shaft		1
40	HVBS-8-DMW-40	Adjusting Nut		1
40-1	TS-1503031	Hex Socket Cap Screw	M6-1.0x12L	2
40-2	TS-2361061	Lock Washer	M6	1
41	HVBS-8-DMW-41	Motor Mount		1
41-1	TS-1482021	Hex Cap Bolt	M6-1.0x12L	4
41-2	TS-2361061	Lock Washer	M6	4
41-3	TS-1550041	Flat Washer	6mm	4
42	HVBS-8-DMW-42	Handle		1
43	HVBS-8-DMW-43	Brush		1
43-1	F001187	Phillips Pan Hd Machine Screw	M4x25	2
43-2	TS-1550021	Flat Washer	M4	2
43-3	TS-1540021	Hex Nut	M4	2
44	HVBS-8-DMW-44	Blade guard		1
44-1	TS-1503021	Hex Socket Cap Screw	M6-1.0x10L	1
44-2	HVBS-8-DMW-44-2	Flat Washer	6mm	1
44-3	TS-1503021	Hex Socket Cap Screw	M6-1.0x10L	1
44-4	TS-1550041	Flat Washer	6mm	1
45	HVBS-8-DMW-45	Motor	3/4HP 1PH	1
	HVBS-8-DMW-45SC	Start Capacitor	300MFD 125VAC	1
	HVBS-8-DMW-45RC	Running Capacitor	20µF 250VAC	1
	HVBS-8-DMW-45JB	Junction Box		1

Index No	Part No	Description	Size	Qty
	HVBS-8-DMW-45JBC	Junction Box Cover		1
	HVBS-8-DMW-45MF	Motor Fan		1
	HVBS-8-DMW-45MFC	Motor Fan Cover		1
46	TS-0270031	Socket Set Screw	5/16 x 3/8	1
47	HVBS-8-DMW-47	Pulley Box		1
47-1	TS-1482021	Hex Cap Bolt	M6-1.0x12L	2
47-2	TS-2361061	Lock Washer	M6	2
47-3	TS-1550041	Flat Washer	6mm	2
48	HVBS-8-DMW-48	Motor Pulley		1
49	VB-A27	V-Belt	A27	1
50	HVBS-8-DMW-50	Gearbox Pulley		1
51	HVBS-8-DMW-51	Blade Guard		1
	HVBS-8-DMW-51A	Blade Guard with Brush Assembly (#51,43,43-1,43-2,43-3)		1
51-1	TS-1503021	Hex Socket Cap Screw	M6-1.0x10L	1
51-2	TS-1550041	Flat Washer	6x13x1.5 mm	1
51-3	TS-1503021	Hex Socket Cap Screw	M6-1.0x10	1
51-4	HVBS-8-DMW-51-4	Flat Washer	6x16x1.5 mm	1
52	HVBS-8-DMW-52	T-Block		2
53	HVBS-8-DMW-53	Collar		2
54	TS-1524011	Set Screw	M8-1.25x8L	2
55	HVBS-8-DMW-55	Bow Bearing Shaft		1
56	HVBS-8-DMW-56	Bracket		1
56-1	TS-1503061	Hex Socket Cap Screw	M6-1.0x25L	2
56-2	TS-2311061	Hex Nut	M6	2
56-3	HVBS-8-DMW-56-3	Threaded Rod	M12x17.5x70L	1
56-4	HVBS-8-DMW-56-4	Threaded Rod	M12X17.5x62L	1
56-5	TS-1540081	Hex Nut	M12-1.75	2
56-6	TS-2360121	Flat Washer	12mm	2
57	HVBS-8-DMW-57	Shaft Seat		1
57-1	F005452	Hex Socket Cap Screw	M12-1.75x30L	2
57-2	TS-2361121	Lock Washer	M12	2
57-3	TS-2360121	Flat Washer	12mm	2
58	HVBS-8-DMW-58	Plate		1
58-1	BB-6001ZZ	Bearing	6001ZZ	2
58-2	TS-1540081	Hex Nut	M12	2
58-3	TS-1492021	Hex Cap Bolt	M12-1.75x30L	2
58-4	TS-2361121	Lock Washer	M12	2
59	HVBS-8-DMW-59	Special Washer		4
59-1	TS-1504041	Hex Socket Cap Screw	M8-1.25x20L	4
60	HVBS-8-DMW-60	Angle Scale		1
60-1	F009919	Button Head Socket Screw	M5-1.0x6L	3
61	HVBS-8-DMW-61	Indicator		1
61-1	F009920	Button Head Socket Screw	M6-1.0x6L	1
61-2	TS-1550041	Flat Washer	6mm	1
62	HVBS-8-DMW-62	Support		1
62-1	TS-1550061	Flat Washer	8mm	2
62-2	TS-1504051	Hex Socket Cap Screw	M8-1.25x25L	2
62-3	TS-2361081	Lock Washer	M8	2
62-4	TS-1540061	Hex Nut	M8-1.25	2
63	HVBS-8-DMW-63	Handle	TRT100 M12	1
64	HVBS-8-DMW-64	Support Plate		1
65	HVBS-8-DMW-65	Tension Spring		1
65-1	HVBS-8-DMW-65-1	Spring Hook	5x50mm	1
65-2	HVBS-8-DMW-65-2	Spring Chain		1
66	HVBS-8-DMW-66	Upper Swivel Guide		1
66-1	HVBS-8-DMW-66-1	Support Rod		3
66-2	HVBS-8-DMW-66-2	Guide Cover		1
66-3	TS-1540081	Hex Nut	M12-1.75	3
66-4	TS-2360121	Flat Washer	12mm	3
66-5	TS-1504091	Hex Socket Cap Screw	M8-1.25x45L	2
66-6	TS-2361081	Lock Washer	M8	2
66-7	TS-1550061	Flat Washer	8mm	2

Index No	Part No	Description	Size	Qty
66-8	TS-2361081	Lock Washer	M8	3
67	HVBS-8-DMW-67	Lower Swivel Guide		1
68	HVBS-8-DMW-68	Fixed Vise Jaw		1
68-1	TS-1504051	Hex Socket Cap Screw	M8-1.25x25L	4
68-2	TS-2361081	Lock Washer	M8	4
68-3	TS-1550061	Flat Washer	8mm	4
69	HVBS-8-DMW-69	Chip Deflector		1
69-1	TS-2246102	Button Head Socket Screw	M6-1.0x10L	1
70	HVBS-8-DMW-70	Vise Lock Knob	1/2"	1
70-1	HVBS-8-DMW-70-1	Spacer		1
71	HVBS-8-DMW-71	Aluminum Miter Plate		1
71-1	TS-1503051	Hex Socket Cap Screw	M6-1.0x20L	4
71-2	TS-2361061	Lock Washer	M6	4
71-3	HVBS-8-DMW-71-3	Flat Washer	6x16x2 mm	4
72	HVBS-8-DMW-72	Movable Jaw Mount		1
72-1	TS-1504091	Hex Socket Cap Screw	M8-1.25x45L	2
72-2	TS-2361081	Lock Washer	M8	2
72-3	TS-1550061	Flat Washer	8mm	2
73	HVBS-8-DMW-73	Movable Jaw Assembly		1
74	HVBS-8-DMW-74	Bed		1
74-1	TS-1504041	Hex Socket Cap Screw	M8-1.25x20L	4
74-2	TS-2361081	Lock Washer	M8	4
74-3	TS-1550061	Flat Washer	8mm	4
75	HVBS-8-DMW-75	Bed Support		2
76	TS-1504041	Hex Cap Bolt	M8-1.25x20L	2
77	HVBS712-14	Plastic Knob	1/4" x 1/2"	1
78	HVBS-8-DMW-78	45-Degree Plate (right)		2
78-1	TS-1550041	Flat Washer	6mm	4
78-2	TS-1503051	Hex Socket Cap Screw	M6-1.0x20L	4
78-3	TS-1490061	Hex Cap Bolt	M8-1.25x35L	2
78-4	TS-1540061	Hex Nut	M8	2
78-5	HVBS-8-DMW-78-5	45 Degree Stop (left)		1
79	HVBS712-17	Lower Work Stop Rod		1
80	HVBS712-15	Work Stop		1
80-1	HVBS-8-DMW-80-1	Upper Work Stop Rod		1
81	HVBS712-13	Threaded Collar		1
82	HVBS-8-DMW-82	Vertical Cutting Platform		1
83	HVBS-8-DMW-83	Chip Screen		1
84	HVBS-8-DMW-84	Swivel Caster (black)	1/2"	2
84-1	TS-0561052	Hex Nut	1/2"-20	2
85	HVBS-8-DMW-85	Carriage		1
85-1	HVBS-8-DMW-85-1	Spacer (short)		2
85-2	HVBS-8-DMW-85-2	Axle Bolt	5/8x5"	2
85-3	TS-0561071	Hex Nut	5/8"-11	2
85-4	HVBS-8-DMW-85-4	Flat Washer	5/8x25x1.5	2
85-5	HVBS-8-DMW-85-5	Spacer (long)		2
86	HVBS-8-DMW-86	Handle		1
86-1	HVBS-8-DMW-86-3	Grip		1
86-2	TS-1503061	Hex Socket Cap Screw	M6x25	1
86-3	TS-2311061	Hex Nut	M6	1
87	HVBS-8-DMW-87	Chip Drawer		1
88	HVBS-8-DMW-88	Wheel		2
89	HVBS-8-DMW-89	Holder		1
89-1	F012620	Hex Cap Bolt	M8-1.25x8L	2
89-2	TS-2361081	Lock Washer	M8	2
89-3	TS-1550061	Flat Washer	8mm	1
89-4	TS-1490051	Hex Cap Bolt	M8-1.25x30L	1
89-5	TS-0680041	Flat Washer	3/8"	1
89-6	TS-1540061	Hex Nut	M8-1.25	1
	JET-138	JET Logo (not shown)	138x57mm	1

Index No	Part No	Description	Size	Qty
.....	LM000268	ID Label, HVBS-8DMW (not shown)	1
.....	LM000269	Label, Blade Speeds (not shown)	1
.....	LM000271	Warning Label (not shown)	1