



# SERVICE PARTS LIST

BUL. 54-46-2153

## ELECTROMAGNETIC DRILL STAND

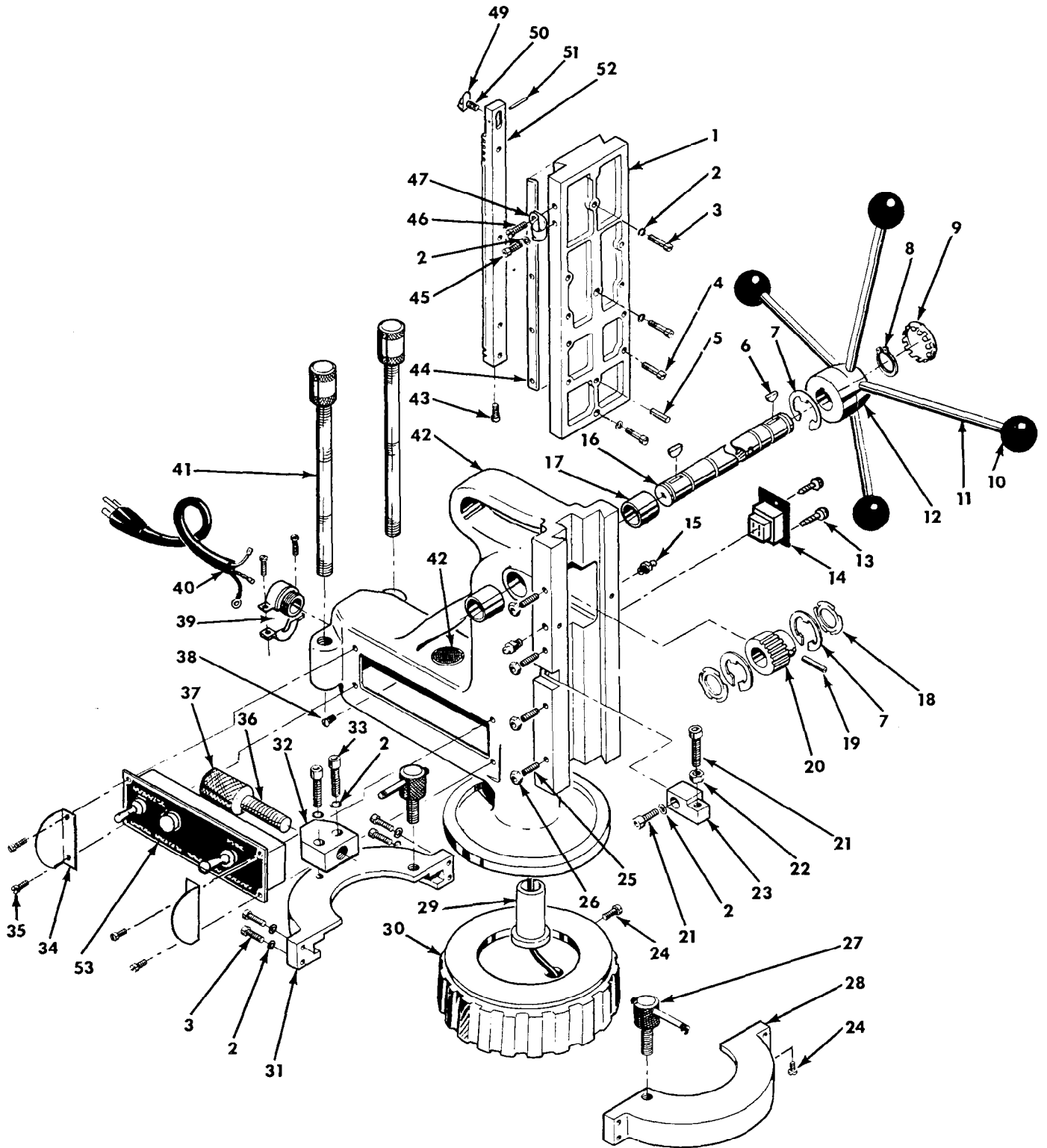
REVISED BUL 54-46-2152 DATE Sept., '70

Catalog No. 4230

Starting Serial No. 297-1947

WIRING INSTR.

Both Model and Serial No. must be furnished to obtain correct parts.





# SERVICE PARTS LIST

## ELECTROMAGNETIC DRILL STAND

### 4230

230V Mounting  
 23-81-0100 Transformer  
 42-28-0170 Transformer Mtg. Block w/thru Hole  
 42-28-0172 Transformer Mtg. Block w/tapped Hole  
 06-81-0200 6-32x1 Binder Head Transformer Mtg. Screws (4)  
 06-81-4555 6-32x2-1/2 Round Head Mtg. Block Screws (2)

FIG.	PART NO.	DESCRIPTION OF PART	NO. REQ.	FIG.	PART NO.	DESCRIPTION OF PART	NO. REQ.
1	30-84-0151	Slide Housing		★ 30	42-20-0310	Magnetic Base	
2	06-97-4050	Lock Washer	(11)	31	28-82-0110	Split Ring Housing	
3	06-75-3050	1/4-20x3/4 Skt. Screw	(7)	32	42-28-0120	Support Block	
4	06-75-3050	1/4-20x3/4 Skt. Screw	(4)	33	06-75-3000	1/4-20x5/8 Skt. Screw	(2)
5	---	1/4x1-3/8 Roll Pin		34	43-54-0170	Panel Guard	(2)
★ 6	06-42-2200	Woodruff Key	(2)	★ 35	06-81-0550	6-32x5/16 Slot Dr. Screw	(4)
★ 7	45-88-0640	Snap Ring	(3)	36	45-04-0310	Micrometer Screw	
★ 8	34-60-1600	Retaining Ring		37	43-98-0140	Micrometer Knob	
★ 9	44-68-0180	Hub End Plug		★ 38	06-81-4640	10-32x1/4 Rd. Hd. Screw	
10	43-98-0050	Plastic Knob	(4)	39	22-38-0080	Cord Clamp	
11	43-62-0050	Feed Handle	(4)	★ 40	22-64-0080	Cord Set	
12	43-78-0105	Hub		41	45-04-0300	Balance Screw	(2)
13	06-81-4566	8-32x3/4 Rd. Hd. Screw	(2)	42	28-50-7961	Housing Support	
14	23-33-0170	Receptacle		43	06-83-2440	10-32x5/16 Hdls. Hex Screw	
15	43-33-0150	Grease Fitting	(2)	44	43-48-0070	Gib	
16	45-08-0055	Shaft		45	06-75-2900	1/4-20x3/8 Skt. Hd. Screw	
★ 17	42-40-0401	Bushing	(2)	46	06-81-4650	10-32x3/8 Rd. Hd. Screw	
18	45-88-0410	Spring Washer	(2)	47	22-38-0100	Cable Clamp	
19	06-65-1650	1/4x1-1/4 Pin		48	44-80-0150	Rack Assembly (Includes Figs. 49 thru 52)	
20	32-60-1001	Pinion Gear		49	44-55-0100	Pawl	
★ 21	06-75-3100	1/4-20x1 Skt. Cap Screw	(2)	50	40-50-7710	Spring	
★ 22	06-57-5000	1/4-20 Lock Nut		51	06-65-1535	1/8x3/4 Roll Pin	
★ 23	42-28-0179	Stop Block		52	---	Rack	
24	---	10-32x1/4 Fil. Hd. Screw	(2)	53	23-35-0101	Replacement Panel Assy.	
25	06-83-2520	10-32x1 Hdls. Skt. Screw	(4)	54	12-98-5500	Nameplate (Not Shown)	
★ 26	06-57-4050	10-32 Lock Nut	(4)	55	06-77-0625	6x1/4 Rd. Driv-in Screw (For Nameplate)	(2)
27	45-04-0320	Lock Screw	(2)				
28	28-82-0111	Split Ring					
29	---	Grommet					