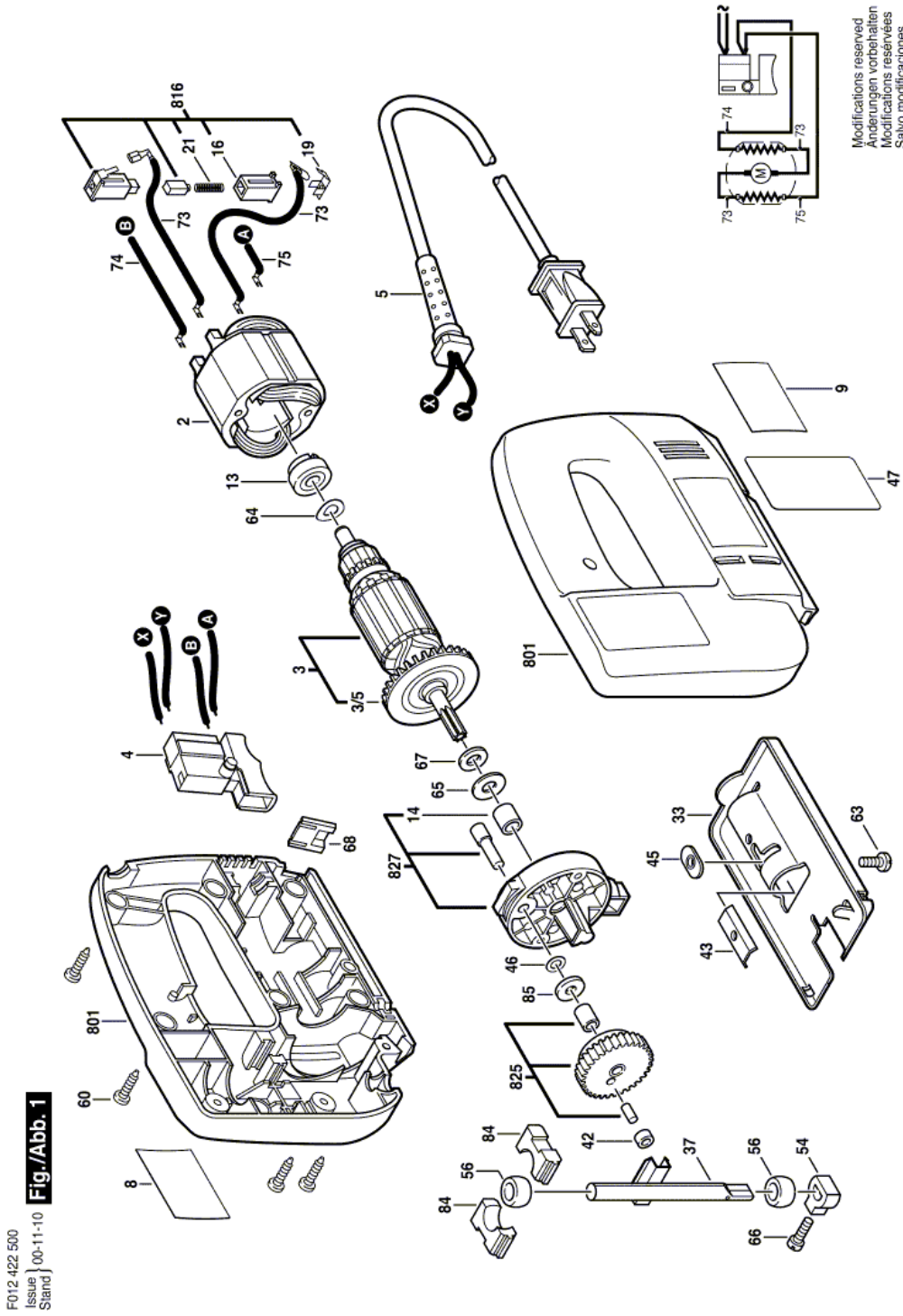


## Jig Saw - F 012 422 500 - 4225

Item	Part Number	Description	Illustration	Price	Quantity	Price Group
2	2 610 346 335	Field 120V	1	-,-	1	28
3	2 610 910 152	Armature 120V	1	-,-	1	-
3/5	2 610 346 332	Fan	1	-,-	1	-
4	2 610 992 314	On-Off Switch	1	-,-	1	26
5	2 610 354 068	Power supply cord	1	-,-	1	-
8	2 610 993 042	Nameplate	1	-,-	1	-
9	2 610 909 028	Reference Plate	1	-,-	1	-
13	2 610 351 348	Bushing	1	-,-	1	13
14	2 610 346 372	Bearing	1	-,-	1	13
16	2 610 320 548	Brush Holder	1	-,-	1	13
19	2 610 329 896	Terminal	1	-,-	2	11
21	2 610 329 898	Strip brush	1	-,-	2	11
33	2 610 908 799	Base	1	-,-	1	20
37	2 610 991 256	Plunger Bar	1	-,-	1	20
42	2 610 326 529	Sleeve	1	-,-	1	13
43	2 610 346 351	Plate	1	-,-	1	11
45	2 610 346 381	Nut	1	-,-	1	11
46	2 610 346 386	Washer	1	-,-	1	11
47	2 610 991 964	Label	1	-,-	1	-
54	2 610 352 727	Support	1	-,-	1	11
56	2 610 347 566	Bearing	1	-,-	2	13
60	2 610 313 518	Screw	1	-,-	9	13
63	2 610 910 131	Screw	1	-,-	1	11
64	2 610 016 828	Disc	1	-,-	1	-
65	2 610 027 445	Washer	1	-,-	1	11
66	2 610 991 280	Pan head screw	1	-,-	1	11
67	2 610 346 380	Washer	1	-,-	1	11
68	2 610 346 349	Cover	1	-,-	1	13
73	2 610 038 850	Connecting Cable 45 MM	1	-,-	2	11
74	2 610 038 670	Cable 180 MM	1	-,-	1	13
75	2 610 038 920	Connecting Cable 210 MM	1	-,-	1	11
84	2 610 321 605	Bearing Pedestal	1	-,-	2	13
85	2 610 326 586	Washer	1	-,-	1	11

Item	Part Number	Description	Illustration	Price	Quantity	Price Group
801	2 610 910 180	Housing Set	1	-,-	1	28
816	2 609 120 199	Carbon-Brush Set	1	-,-	1	22
825	2 610 346 362	Conversion Gear	1	-,-	1	21
827	2 610 346 341	Pivot Plate	1	-,-	1	22

Illustration - Type E



Information subject to change without further notice.