



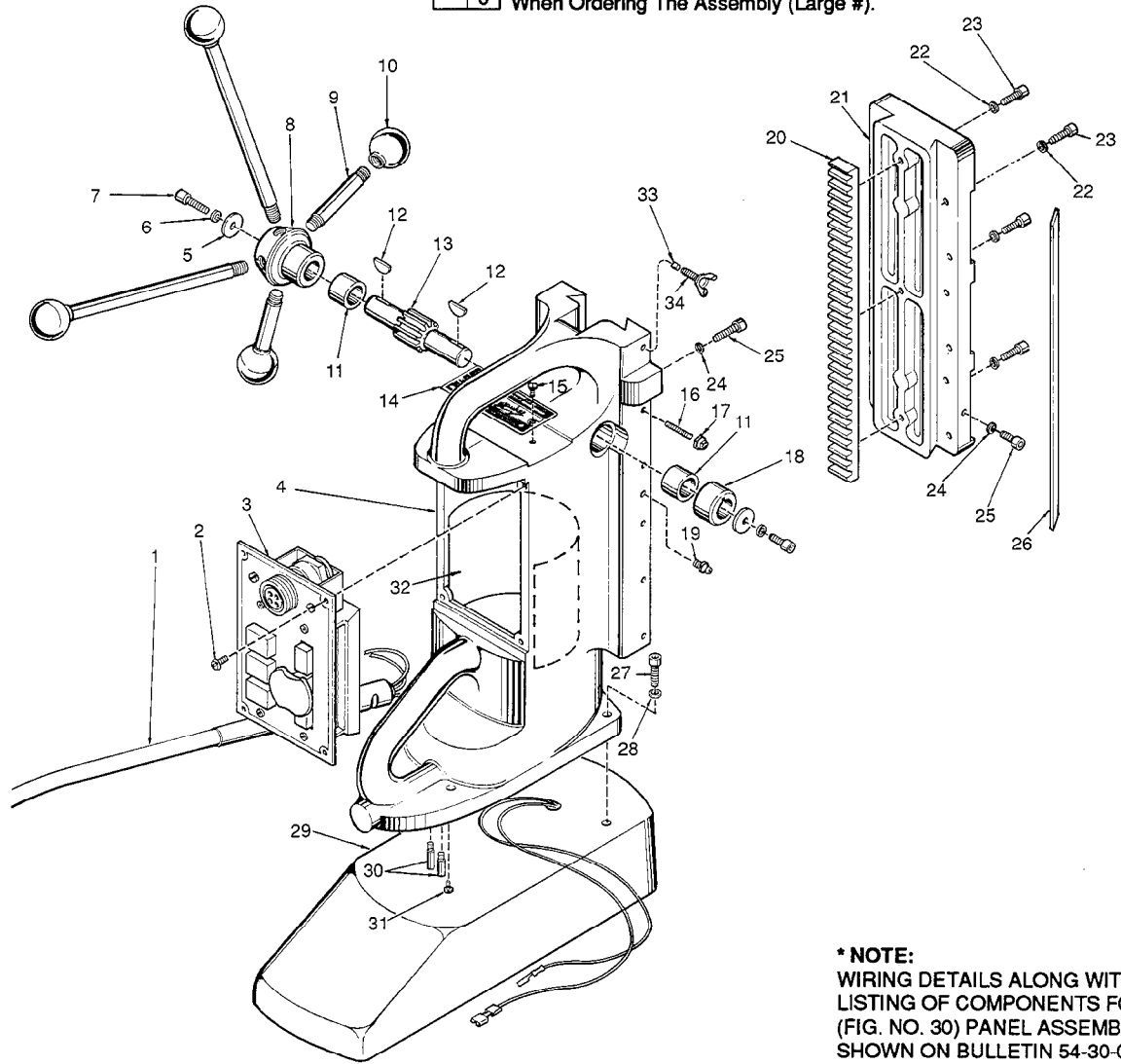
# SERVICE PARTS LIST

**BULLETIN NO.**  
**54-46-2305**

<b>SPECIFY CATALOG NO. AND SERIAL NO. WHEN ORDERING PARTS</b>		<b>REVISED BULLETIN</b>	<b>DATE</b>
<b>LARGE BASE ELECTROMAG DRILL STAND</b>		54-46-2304	Sept. '93
<b>CATALOG NO.</b> 4221	<b>STARTING SERIAL NO.</b> 499A	<b>WIRING INSTRUCTION</b> <b>* SEE NOTE</b>	

00  
0

**EXAMPLE:**  
Component Parts (Small #) Are Included  
When Ordering The Assembly (Large #).



**\* NOTE:**  
WIRING DETAILS ALONG WITH A LISTING OF COMPONENTS FOR (FIG. NO. 30) PANEL ASSEMBLY ARE SHOWN ON BULLETIN 54-30-0351

FIG.	PART NO.	DESCRIPTION OF PART	NO. REQ.	FIG.	PART NO.	DESCRIPTION OF PART	NO. REQ.
★ 1	22-64-0076	Cord Set	(1)	21	30-84-0190	Slide	(1)
2	06-81-5400	8-32 x 5/16" Binder Sems	(4)	22	06-97-4050	1/4" Split Ring Lock Washer	(7)
3	23-35-0301	Panel Assembly (See Note)	(1)	23	06-75-3050	1/4-20 x 3/4" Socket hd. Screw	(7)
★ 4	28-50-7823	Support Housing	(1)	24	06-97-4050	1/4" Split Ring Lock Washer	(2)
5	45-88-5247	Hub Washer	(2)	25	06-75-2900	1/4-20 x 3/8" Socket Hd. Screw	(2)
6	06-97-4050	1/4" Split Ring Lock Washer	(2)	26	43-48-0100	Gib	(1)
7	06-75-3005	1/4-20 x 5/8" Socket Hd. Screw	(2)	27	06-75-3250	1/4-20 x 1/2" Socket Hd. Screw	(4)
8	43-78-0240	Handle Hub	(1)	28	06-97-4050	1/4" Split Ring Lock Washer	(4)
9	43-62-0055	Handle	(4)	29	42-20-0410	Magnetic Base Assembly	(1)
10	43-98-0050	Plastic Knob	(4)	30	45-04-0100	Cord Retaining Screw	(2)
11	42-40-0445	Bushing	(2)	★ 31	06-81-8820	8-32 x 1/4" Ground Screw	(1)
12	06-42-2300	Woodruff Key	(2)	32	23-16-0760	Panel Insulator	(1)
13	32-60-2050	Pinion Gear	(1)	33	45-30-0160	Brass Slug	(1)
14	12-99-1295	Service Nameplate	(1)	34	06-88-0110	1/4-20 x 3/4" Wing Screw	(1)
★ 15	06-95-0075	6-32 x 3/8" Truss Hd. Screw	(2)	48-58-0080	6' Safety Chain (Incl. 43-74-0080)	(1)	
16	06-83-2520	10-32 x 1" Headless Socket Screw	(5)	43-74-0080	Chain Hook	(1)	
17	06-57-4050	1/4" Split Ring Lock Washer	(5)	49-96-0050	3/32" Socket Wrench	(1)	
18	43-78-0230	Hub	(1)	49-96-0080	3/16" Socket Wrench	(1)	
19	43-33-0150	Grease Fitting	(2)				
20	44-80-0070	Rack	(1)				

**MILWAUKEE ELECTRIC TOOL CORPORATION**  
13135 W. LISBON RD., BROOKFIELD, WI 53005