



SERVICE PARTS LIST

BUL. 54-46-2100

ELECTROMAGNETIC DRILL STAND

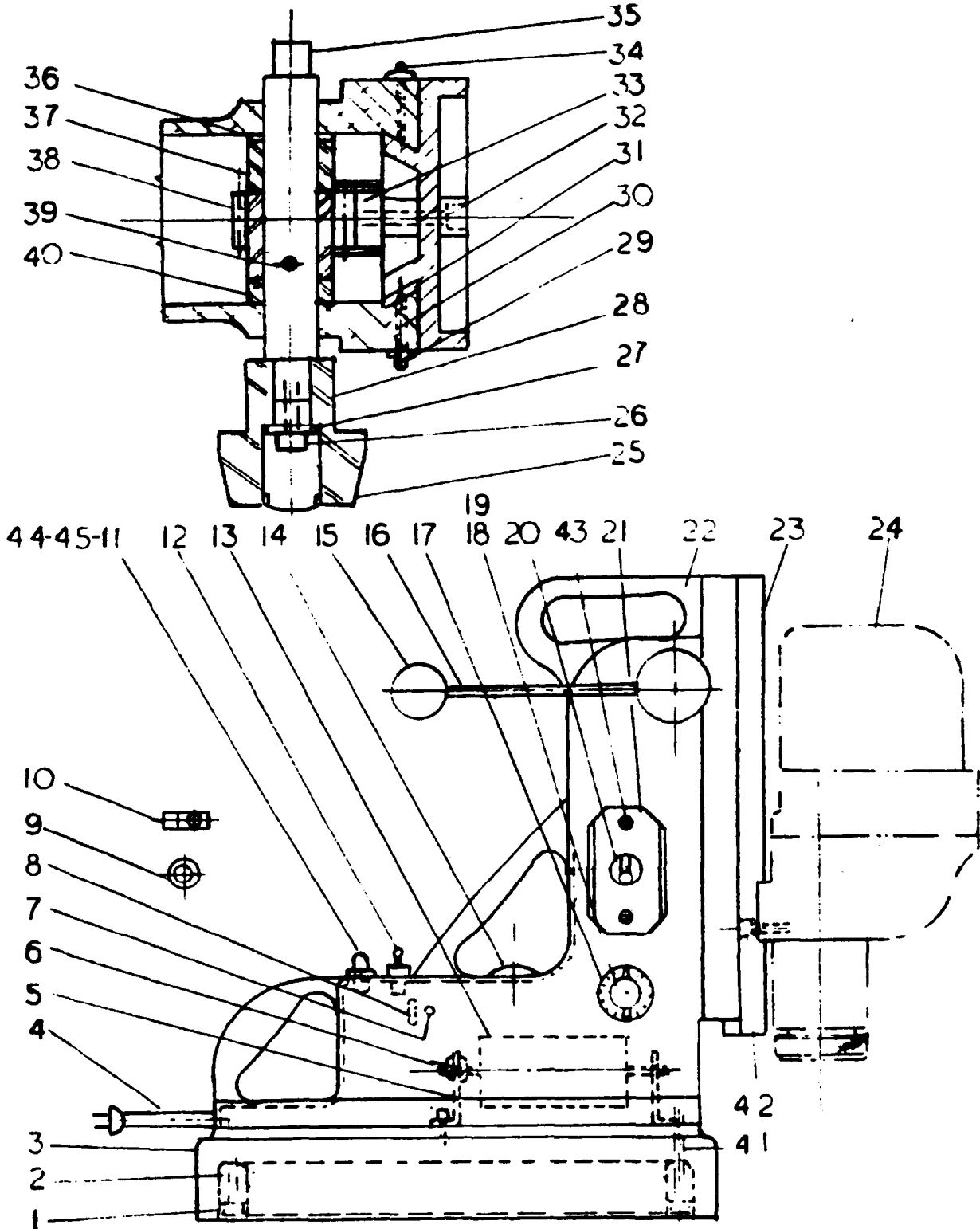
REVISED BUL 6296-1 DATE Feb. '68

Catalog No. 4220

Starting Serial No. 296-1001

WIRING INSTR.

Both Model and Serial No. must be furnished to obtain correct parts.



PARTS FOR 4220

ILLUSTRATED PARTS			
FIG.	PART NO.	DESCRIPTION OF PART	
1	45-12-0150	Coil Shield	
2	22-51-0140	Coil (115 Volt)	
	22-51-0150	Coil (230 Volt)	
3	30-07-5321	Base	
4	22-64-0330	Cord Set	
5	42-36-0370	Bracket	
6	06-55-1500	1/4" Hex Nut	
7	23-38-5010	Resistor	
8	22-33-0160	Capacitor	
9	22-90-0100	Grommet	
10	42-70-0120	Clip	
11	23-26-0020	Pilot Lamp	
12	23-66-0420	Switch	
13	23-38-2510	Rectifier (115 Volt)	
	23-38-2530	Rectifier (230 Volt)	
14	45-83-0050	Vent	
15	43-98-0050	Knob	
16	43-62-0280	Feed Handle	
17	23-18-0050	Switch Control Knob	
18	23-38-7510	Rheostat	
19	22-75-0060	Dial	
20	23-66-0340	Switch	
21	28-72-7001	Switch Plate	
FIG.	PART NO.	DESCRIPTION OF PART	
22	28-50-7841	Support Housing	
23	30-84-0141	Slide	
25	44-68-0110	Plug	
26	06-75-3250	1/4-20x1-1/4" Soc. Hd. Screw	
27	45-88-0420	Washer	
(2)	28	43-78-0100	Hub
(2)	29	06-55-1100	10-32 Hex. Nut
	30	06-83-2520	10-32x1" Set Screw
	31	43-48-0060	Adjusting Gib
	32	06-75-3150	1/4-20x1" Soc. Hd. Screw
(2)	33	44-80-0120	Rack
	34	43-33-0150	Grease Ftg.
	35	45-08-0050	Shaft
	36	45-88-0410	Spring Washer
	37	45-36-0320	Spacer
	38	32-60-1001	Pinion Gear
(4)	39	06-65-1650	1/4" Dia. x 1-1/4" Roll Pin
(4)	40	45-36-0300	Spacer
	41	06-75-4215	5/16-18x2-1/4" Soc. Hd. Screw
	42	06-75-3050	1/4-20x3/4" Soc. Hd. Screw
	43	06-81-4650	10-32x3/8" Rd. Hd. Screw
	44	22-26-0030	Bulb
	45	23-28-0050	Lens

MISCELLANEOUS PARTS NOT SHOWN

12-17-2900 Name Plate

Numbers in brackets indicate number required.