



**BOSCH**

# Table Mitre Saw

4212 | 0 601 66F 222

---

## Table of Content

Spare parts list.....	2
Illustration - Type.....	10

**Spare parts list**

Item	Part Number	Description	Illustration
1	2 610 915 750	Motor Housing	1
2	2 610 923 313	Field 115V	1
3	2 610 915 752	Armature 115V	1
4	2 610 950 336	Switch	1
5	2 610 923 314	Cord	1
7	2 610 915 749	Cable Clip	1
8	2 610 957 218	Nameplate	1
10	2 610 997 207	Carbon-Brush Set	1
13	2 610 911 928	Ball Bearing	1
14	2 610 911 927	Ball Bearing	1
16	2 610 915 761	Brush Holder	1
34	2 610 920 815	Arm Support	1
35	2 610 920 817	Guard Profile	1
36	2 610 915 731	Intermediate Layer	1
37	2 610 915 732	Housing Cover	1
38	2 610 920 820	Belt Cover	1
39	2 610 915 734	Handle Cover	1
40	2 610 915 735	Bearing Pedestal	1
41	2 610 915 736	Bearing Pedestal	1
42	2 610 915 737	Bearing Pedestal	1
43	2 610 915 738	Bearing Pedestal	1
44	2 610 915 739	Trigger	1
45	2 610 915 740	Button	1
46	2 610 915 741	Button	1
47	2 610 915 742	Linkage part	1
49	2 610 915 744	Release Lever	1
50	2 610 915 745	Collar	1
51	2 610 915 746	Collar	1
52	2 610 915 747	Latch	1
53	2 610 915 748	Latch	1
54	2 610 949 175	Torsion Spring	1
55	2 610 915 704	Plate	1
69	2 610 927 692	Wheel Guard	1
70	2 610 923 330	Swivel Plate	1
71	2 610 920 833	Linkage	1

Spare parts list			
Item	Part Number	Description	Illustration
73	2 610 915 722	Baffle	1
75	2 610 915 724	Roller	1
92	2 610 915 700	Bearing Cover Plate	1
94	2 610 915 702	Gear Cover	1
100	2 610 916 462	Detent Pin	1
110	2 610 946 555	Detent Pin	1
111	2 610 916 798	Toothed Gear	1
112	2 610 935 017	Spindle	1
114	2 610 916 801	Flange	1
115	2 610 916 802	Brush-Cover Ø 22mm	1
117	2 610 916 804	Drive disk	1
118	2 610 916 805	Wide V-Belt	1
119	2 610 916 806	Pulley	1
121	2 610 916 808	Counter Shaft	1
122	2 610 916 809	Wedge	1
129	2 610 911 907	Screw and washer assembly	1
131	2 610 911 937	Shim	1
132	2 610 911 909	Flange	1
134	2 610 924 286	Trunnion	1
136	2 610 911 598	Shoulder Screw	1
137	2 610 911 599	Plain Washer	1
138	2 610 911 850	Spacer	1
139	2 610 911 872	Cable Clip	1
140	2 610 911 458	Screw	1
142	2 610 950 117	Screw	1
143	2 615 297 323	Screw	1
161	2 610 911 914	Set screw	1
171	2 610 911 911	Shoulder Screw	1
172	2 610 911 921	Round Rubber	1
173	2 610 911 938	Ball Bearing	1
174	2 610 911 883	Shoulder Screw	1
175	2 610 911 906	Washer	1
176	2 610 911 570	Hex Nut	1
177	2 610 953 068	Plain Washer	1
178	2 610 990 521	Spring retaining ring	1

Spare parts list			
Item	Part Number	Description	Illustration
179	2 610 004 925	Screw	1
180	2 610 358 812	Bolt	1
181	2 610 355 325	Spring Washer	1
183	2 610 327 846	Ball Bearing	1
185	2 610 317 505	Tapping Screw	1
186	2 610 993 102	Woodruff Key	1
187	2 610 997 281	Spring retaining ring	1
188	2 610 029 674	Washer	1
189	2 610 996 948	Rubber Ring	1
190	2 610 358 922	Needle-Roller Bearing	1
210	2 610 320 304	Screw	1
216	2 610 919 075	Shoulder Screw	1
217	2 610 919 076	Shoulder Screw	1
218	2 610 327 867	Screw	1
219	2 610 998 575	Screw	1
221	2 610 919 077	Compression Spring	1
223	2 610 919 079	Ball Bearing	1
224	2 610 919 080	Compression Spring	1
225	2 610 358 869	Retaining snap ring	1
226	2 610 919 081	Device cap	1
228	2 610 358 928	Screw	1
229	2 610 911 569	Insert	1
230	2 610 327 868	Nut	1
231	2 610 948 209	Pvc Tube	1
232	2 610 911 929	Screw	1
233	2 610 911 450	Washer	1
234	2 610 911 566	Bearing cover	1
235	2 610 318 812	Screw	1
236	2 610 919 083	Retaining snap ring	1
237	2 610 919 084	Screw	1
238	2 610 320 330	Screw	1
239	2 610 919 085	Compression Spring	1
240	2 610 915 162	Screw	1
242	2 610 945 488	Screw	1
243	2 610 919 086	Pin	1

Spare parts list

Item	Part Number	Description	Illustration
244	2 610 919 087	Set screw	1
245	2 610 358 519	Screw	1
246	2 610 925 187	Nut	1
247	2 610 916 061	Stop Plate	1
259	2 610 917 097	Label	1
262	2 610 911 933	Connector	1
283	2 610 921 480	Screw	1
284	2 610 923 329	Screw	1
288	2 610 921 484	Connection Block	1
289	2 610 921 487	Shim	1
294	2 610 919 279	Housing Cover	1
300	2 610 923 321	Pvc Tube	1
305	2 610 913 099	Plain Washer	1
310	2 610 920 840	Chip Deflector	1
312	2 610 923 824	Rubber Bushing	1
318	2 610 923 938	Label	1
320	2 610 923 939	Label	1
25	2 610 920 814	Table	2
29	2 610 920 818	Pivot	2
48	2 610 920 830	Pointer	2
56	2 610 920 825	Insert	2
57	2 610 920 821	Knob	2
58	2 610 920 832	Linkage	2
59	2 610 915 708	Holding Fixture	2
61	2 610 915 710	Cover	2
62	2 610 915 711	Lever	2
63	2 610 920 836	Support bracket	2
64	2 610 919 270	Cam	2
65	2 610 915 714	Knob	2
66	2 610 915 715	Bracket	2
68	2 610 915 717	Bracket	2
72	2 610 920 823	Lever	2
74	2 610 923 315	Rod	2
76	2 610 919 271	Cam Ring	2
83	2 610 923 316	Cover	2

Spare parts list			
Item	Part Number	Description	Illustration
84	2 610 920 829	Pointer	2
85	2 610 920 827	Pointer	2
88	2 610 915 696	Scale Plate	2
89	2 610 920 843	Adjusting Block	2
93	2 610 915 701	Retaining Plate	2
97	2 610 916 459	Guide Bracket	2
98	2 610 916 460	Bushing	2
102	2 610 015 444	Shaft	2
103	2 610 915 759	Detent Pin	2
107	2 610 923 317	Torsion Spring	2
108	2 610 916 795	Sleeve	2
109	2 610 916 796	Shaft	2
120	2 610 923 829	Support bracket	2
123	2 610 920 842	Detent Pin	2
124	2 610 916 811	Lever Shaft	2
126	2 610 358 172	Nut	2
127	2 610 910 779	Washer	2
130	2 610 911 908	Set screw	2
147	2 610 911 899	Screw	2
149	2 610 911 918	Screw	2
150	2 610 911 901	Self-locking nut	2
151	2 610 347 092	Plain Washer	2
152	2 610 911 897	Screw	2
153	2 610 919 287	Retaining Plate	2
154	2 610 911 900	Screw	2
155	2 610 910 784	Screw	2
156	2 610 923 318	Bolt	2
157	2 610 355 332	Square Nut	2
158	2 610 921 458	Washer	2
166	2 610 923 826	Pin	2
169	2 610 358 848	Screw	2
170	2 610 327 859	Screw 18,9 MM	2
193	2 610 913 862	Screw	2
194	2 610 910 786	Set screw	2
203	2 610 355 295	Screw	2

**Spare parts list**

<b>Item</b>	<b>Part Number</b>	<b>Description</b>	<b>Illustration</b>
204	2 610 919 067	Compression Spring	2
205	2 610 919 068	Compression Spring	2
206	2 610 919 069	Spring Pin	2
207	2 610 935 532	Stop Screw	2
211	2 610 919 072	Brake Plate	2
212	2 610 919 073	Brake Plate	2
214	2 615 297 331	Nut	2
241	2 610 351 178	Hex Screw	2
249	2 610 917 658	Adjusting Wrench	2
250	2 610 006 436	Dust Bag	2
251	2 610 919 280	Suction Tube	2
253	2 610 923 332	Label	2
255	2 610 923 323	Label	2
256	2 610 923 324	Label	2
257	2 610 917 101	Label	2
260	2 610 923 328	Support Tube	2
261	2 610 308 959	Plain Washer	2
263	2 610 923 325	Cable	2
264	2 610 923 326	Cable	2
265	2 610 923 327	Cable	2
266	2 610 910 791	Nut	2
267	2 610 910 792	Washer	2
268	2 610 004 578	Plain Washer	2
281	2 610 923 827	Contact strap	2
286	2 610 921 512	Double head engin wrench	2
287	2 610 921 483	Hexagon Socket Wrench	2
291	2 610 919 282	Plain Washer	2
292	2 610 919 281	Washer	2
293	2 610 920 822	Belt Cover	2
296	2 610 921 459	Nut	2
301	2 610 921 466	Screw	2
302	2 610 921 467	Spacer	2
303	2 610 910 013	Washer	2
306	2 610 915 870	Label	2
307	2 610 921 931	Cover	2

**Spare parts list**

<b>Item</b>	<b>Part Number</b>	<b>Description</b>	<b>Illustration</b>
308	2 610 920 844	Block	2
311	2 610 923 319	Label	2
313	2 610 923 825	Chute	2
314	2 610 923 828	Plate	2
315	2 610 923 856	Washer	2
316	2 610 923 830	Plate	2
317	2 610 923 855	Washer	2
20	2 610 920 805	Label	3
22	2 610 920 813	Base	3
23	2 610 919 261	Extension Stand	3
24	2 610 919 262	Extension Stand	3
26	2 610 920 816	End stop	3
27	2 610 915 768	Parallel-Guide	3
28	2 610 915 769	Parallel-Guide	3
79	2 610 915 687	Knob	3
80	2 610 915 688	Locking Lever	3
81	2 610 915 689	Locking Lever	3
90	2 610 915 698	Wrench Socket	3
91	2 610 915 699	Rubber Bushing	3
95	2 610 923 331	Locating ring	3
113	2 610 915 878	Label	3
116	2 610 916 803	Extension Shaft	3
145	2 610 923 320	Trunnion	3
146	2 610 356 437	Set screw	3
148	2 610 358 846	Rubber Bushing	3
191	2 610 355 277	Screw	3
192	2 610 015 011	Washer	3
195	2 610 919 060	Shoulder Screw	3
196	2 610 919 061	Compression Spring	3
197	2 610 926 010	Screw	3
198	2 610 926 011	Screw	3
199	2 610 912 556	Retaining snap ring	3
201	2 610 919 065	Screwdriver Bit	3
208	2 610 919 070	Shoulder Screw	3
252	2 610 919 089	Quick-Clamping Device	3



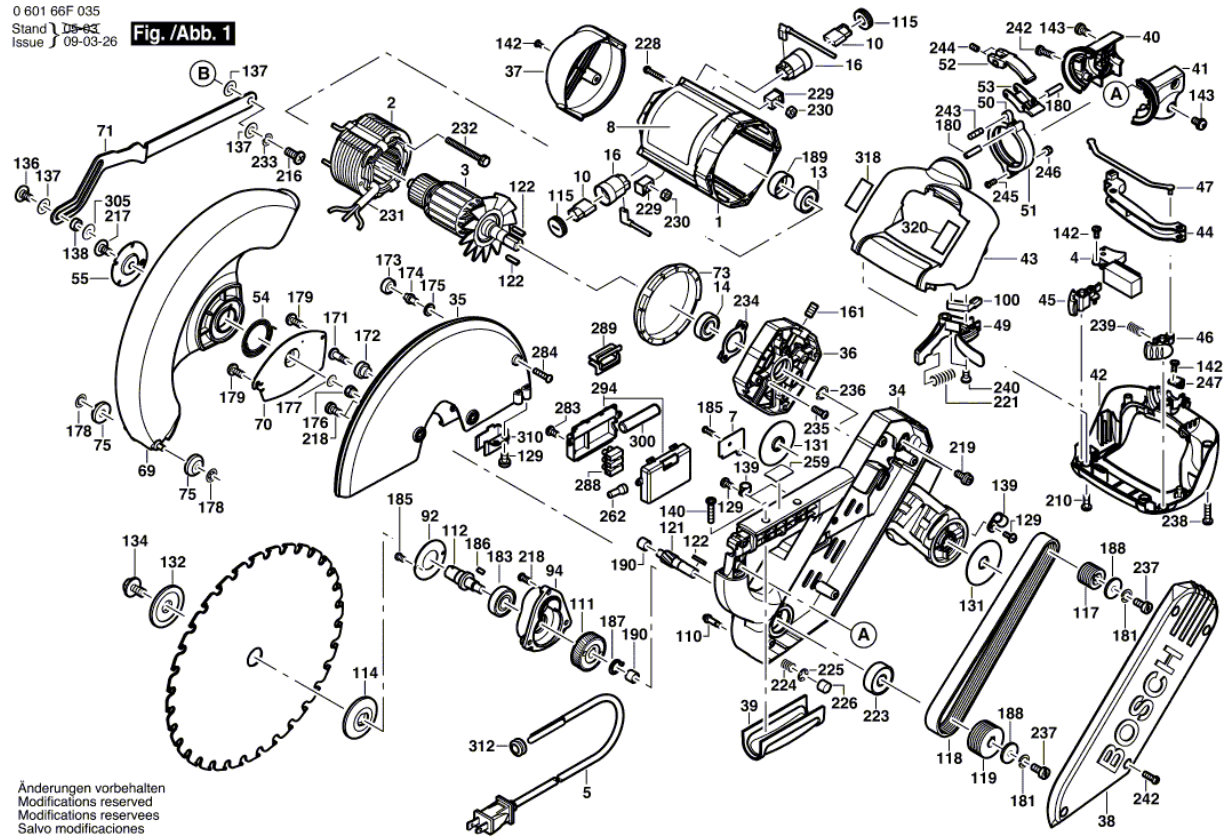
**Spare parts list**

<b>Item</b>	<b>Part Number</b>	<b>Description</b>	<b>Illustration</b>
254	2 610 911 658	Warning Plate	3
309	2 610 920 835	End stop	3

Illustration - Type - E

0 601 66F 035  
 Stand 10-23  
 Issue 09-03-26

Fig./Abb. 1

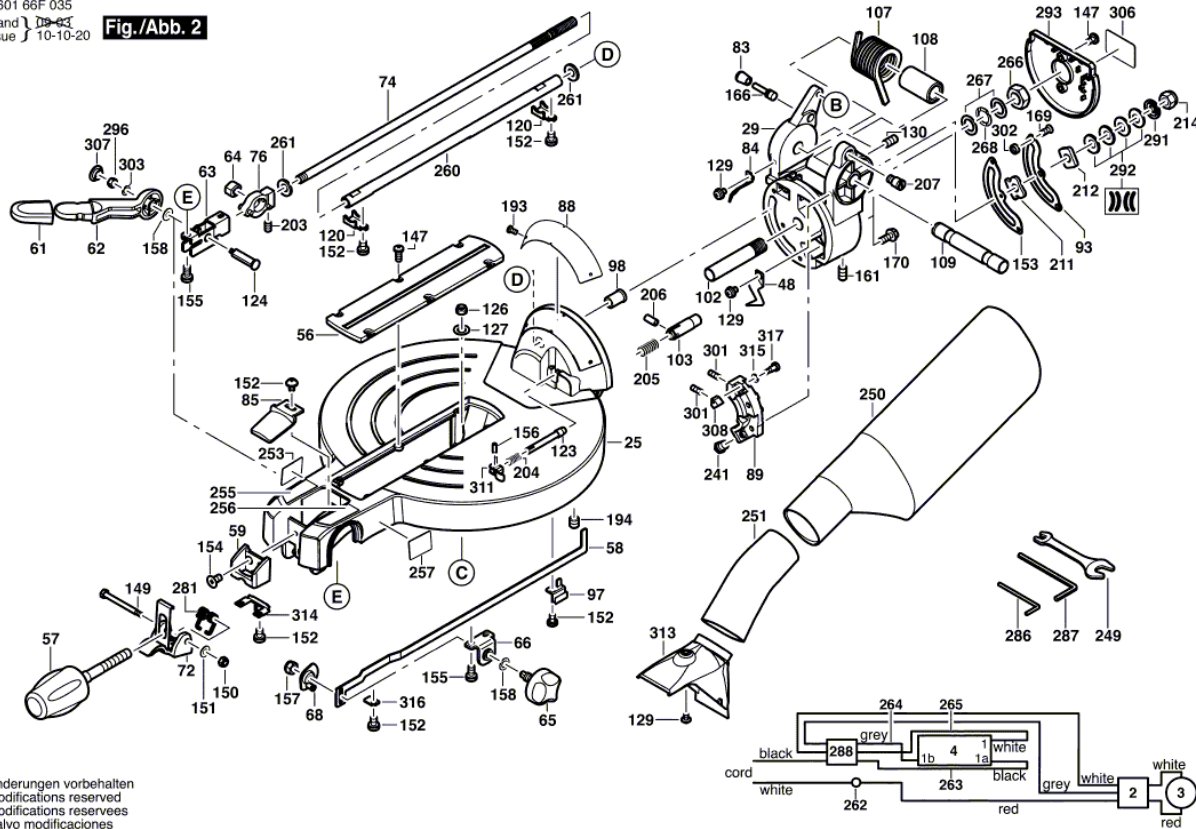


Änderungen vorbehalten  
 Modifications reserved  
 Modifications reserves  
 Salvo modificaciones

Illustration - Type - E

0 601 66F 035  
 Stand 10-20  
 Issue 10-10-20

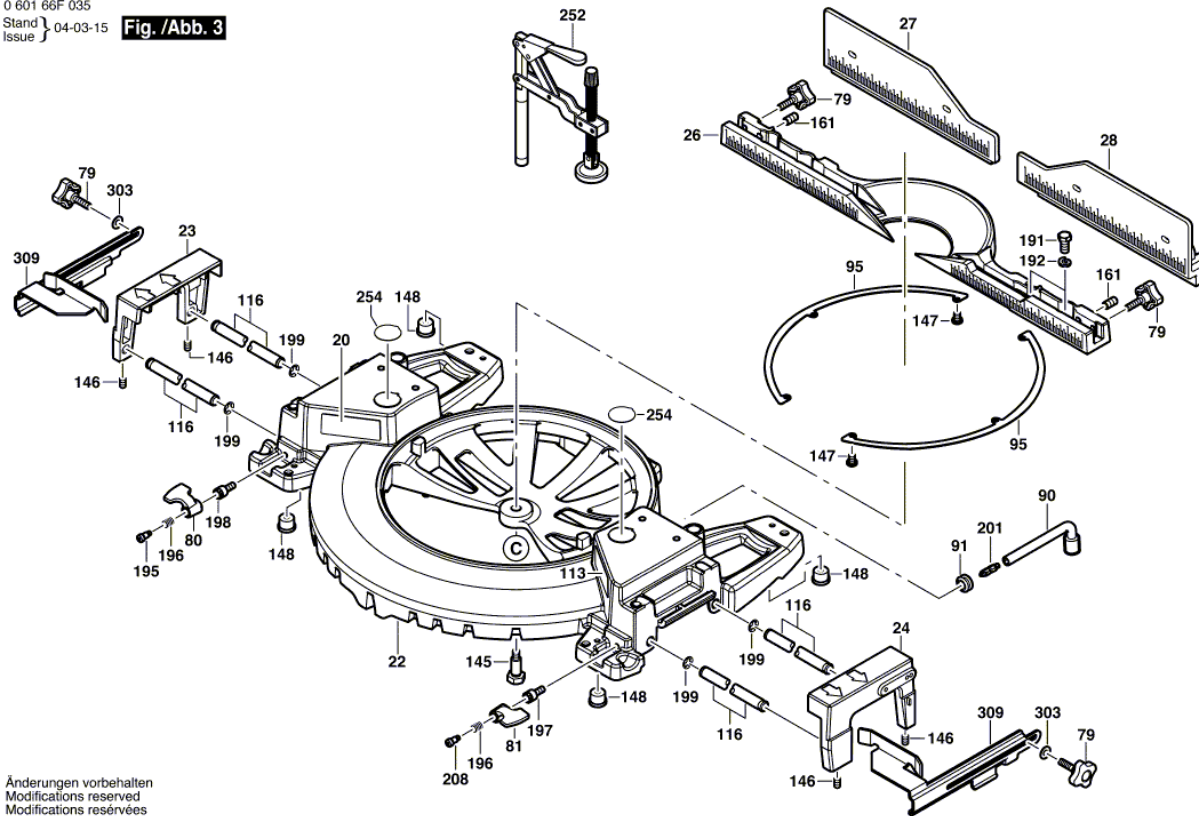
Fig./Abb. 2



Änderungen vorbehalten  
 Modifications reserved  
 Modifications reserves  
 Salvo modificaciones

Illustration - Type - E

0 601 66F 035  
 Stand } 04-03-15  
 Issue } **Fig. /Abb. 3**



Änderungen vorbehalten  
 Modifications reserved  
 Modifications réservées  
 Salvo modificaciones