

Table Saw - 0 601 66F 035 - 4212

www.powertools-aftersaleservice.com



BOSCH

Item	Part Number	Description	Illustration	Price	Quantity	Price Group
1	2 610 915 750	Motor Housing	1	-,-	1	37
2	2 610 923 313	Field 115V	1	-,-	1	-
3	2 610 915 752	Armature 115V	1	-,-	1	47
4	2 610 950 336	Switch	1	-,-	1	28
5	2 610 923 314	Mains Cable	1	-,-	1	-
7	2 610 915 749	Clamping Plate	1	-,-	1	11
8	2 610 916 507	Nameplate	1	-,-	1	-
10	2 610 997 207	Carbon-Brush Set	1	-,-	2	26
13	2 610 911 928	Ball Bearing	1	-,-	1	24
14	2 610 911 927	Ball Bearing	1	-,-	1	31
16	2 610 915 761	Brush Holder	1	-,-	2	19
20	2 610 920 805	Warning Label	3	-,-	1	-
22	2 610 920 813	Base	3	-,-	1	-
23	2 610 919 261	Extension Stand	3	-,-	1	33
24	2 610 919 262	Extension Stand	3	-,-	1	33
25	2 610 920 814	Table	2	-,-	1	-
26	2 610 920 816	End stop	3	-,-	1	-
27	2 610 915 768	Parallel-Guide	3	-,-	1	34
28	2 610 915 769	Parallel-Guide	3	-,-	1	34
29	2 610 920 818	Pivot	2	-,-	1	-
34	2 610 920 815	Upper Housing	1	-,-	1	-
35	2 610 920 817	Guard Profile	1	-,-	1	-
36	2 610 915 731	Intermediate Layer	1	-,-	1	34
37	2 610 915 732	Housing Cover	1	-,-	1	22
38	2 610 920 820	Belt Cover	1	-,-	1	-
39	2 610 915 734	Handle Cover	1	-,-	1	27
40	2 610 915 735	Bearing Pedestal	1	-,-	1	24
41	2 610 915 736	Bearing Pedestal	1	-,-	1	25
42	2 610 915 737	Bearing Pedestal	1	-,-	1	28
43	2 610 915 738	Bearing Pedestal	1	-,-	1	28
44	2 610 915 739	Trigger	1	-,-	1	18
45	2 610 915 740	Button	1	-,-	1	17
46	2 610 915 741	Button	1	-,-	1	17

Item	Part Number	Description	Illustration	Price	Quantity	Price Group
47	2 610 915 742	Linkage part	1	-,-	1	16
48	2 610 920 830	Indicator	2	-,-	1	-
49	2 610 915 744	Release Lever	1	-,-	1	23
50	2 610 915 745	Collar	1	-,-	1	21
51	2 610 915 746	Collar	1	-,-	1	21
52	2 610 915 747	Latch	1	-,-	1	17
53	2 610 915 748	Latch	1	-,-	1	17
54	2 610 949 175	Torsion Spring	1	-,-	1	16
55	2 610 915 704	Plate	1	-,-	1	16
56	2 610 920 825	Insert	2	-,-	1	-
57	2 610 920 821	Knob	2	-,-	1	-
58	2 610 920 832	Linkage	2	-,-	1	-
59	2 610 915 708	Holding Fixture	2	-,-	1	19
61	2 610 915 710	Cover	2	-,-	1	16
62	2 610 915 711	Lever	2	-,-	1	23
63	2 610 920 836	Support bracket	2	-,-	1	-
64	2 610 919 270	Cam	2	-,-	1	11
65	2 610 915 714	Knob	2	-,-	1	19
66	2 610 915 715	Bracket	2	-,-	1	11
68	2 610 915 717	Bracket	2	-,-	1	12
69	2 610 927 692	Wheel Guard	1	-,-	1	32
70	2 610 923 330	Pivot Plate	1	-,-	1	-
71	2 610 920 833	Linkage part	1	-,-	1	-
72	2 610 920 823	Lever	2	-,-	1	-
73	2 610 915 722	Baffle	1	-,-	1	14
74	2 610 923 315	Rod	2	-,-	1	-
75	2 610 915 724	Roller	1	-,-	2	10
76	2 610 919 271	Cam Ring	2	-,-	1	23
79	2 610 915 687	Knob	3	-,-	4	18
80	2 610 915 688	Locking Lever	3	-,-	1	20
81	2 610 915 689	Locking Lever	3	-,-	1	20
83	2 610 923 316	Cover	2	-,-	1	-
84	2 610 920 829	Indicator	2	-,-	1	-
85	2 610 920 827	Indicator	2	-,-	1	-
88	2 610 915 696	Scale	2	-,-	1	11
89	2 610 920 843	Block	2	-,-	1	-
90	2 610 915 698	Socket wrench	3	-,-	1	20
91	2 610 915 699	Rubber Bushing	3	-,-	1	20
92	2 610 915 700	Bearing Cover Plate	1	-,-	1	13
93	2 610 915 701	Retaining Plate	2	-,-	1	18
94	2 610 915 702	Gear Cover	1	-,-	1	29
95	2 610 923 331	Locating ring	3	-,-	2	-
97	2 610 916 459	Guide Bracket	2	-,-	1	11
98	2 610 916 460	Bushing	2	-,-	1	13
100	2 610 916 462	Detent Pin	1	-,-	1	14
102	2 610 015 444	Shaft	2	-,-	1	-
103	2 610 915 759	Detent Pin	2	-,-	1	20
107	2 610 923 317	Torsion Spring	2	-,-	1	-
108	2 610 916 795	Sleeve	2	-,-	1	13
109	2 610 916 796	Shaft	2	-,-	1	19
110	2 610 946 555	Detent Pin	1	-,-	1	-
111	2 610 916 798	Toothed Gear	1	-,-	1	31
112	2 610 935 017	Spindle	1	-,-	1	30

Item	Part Number	Description	Illustration	Price	Quantity	Price Group
113	2 610 915 878	Label		3	-,-	1 -
114	2 610 916 801	Inner Disc		1	-,-	1 22
115	2 610 916 802	Brush-Cover Ø 22mm		1	-,-	2 13
116	2 610 916 803	Extension Shaft		3	-,-	4 20
117	2 610 916 804	Drive disk		1	-,-	1 14
118	2 610 916 805	Wide V-Belt		1	-,-	1 35
119	2 610 916 806	Pulley		1	-,-	1 24
120	2 610 923 829	Support bracket		2	-,-	2 -
121	2 610 916 808	Counter Shaft		1	-,-	1 31
122	2 610 916 809	Wedge		1	-,-	3 11
123	2 610 920 842	Detent Pin		2	-,-	1 -
124	2 610 916 811	Lever Shaft		2	-,-	1 21
126	2 610 358 172	Nut		2	-,-	1 10
127	2 610 910 779	Washer		2	-,-	1 10
129	2 610 911 907	Screw and washer assembly		1	-,-	8 10
130	2 610 911 908	Set screw		2	-,-	2 11
131	2 610 911 937	Shim		1	-,-	2 15
132	2 610 911 909	Flange		1	-,-	1 19
134	2 610 924 286	Trunnion		1	-,-	1 -
136	2 610 911 598	Shoulder Screw		1	-,-	1 11
137	2 610 911 599	Plain Washer		1	-,-	3 10
138	2 610 911 850	Spacer		1	-,-	1 10
139	2 610 911 872	Cable Clip		1	-,-	3 10
140	2 610 911 458	Screw		1	-,-	2 10
142	2 610 950 117	Screw		1	-,-	6 10
143	2 615 297 323	Screw		1	-,-	4 10
145	2 610 923 320	Trunnion		3	-,-	1 -
146	2 610 356 437	Set screw		3	-,-	4 10
147	2 610 911 899	Screw		2	-,-	14 10
148	2 610 358 846	Rubber Bushing		3	-,-	4 11
149	2 610 911 918	Screw		2	-,-	1 13
150	2 610 911 901	Self-locking nut		2	-,-	1 11
151	2 610 347 092	Plain Washer		2	-,-	1 10
152	2 610 911 897	Screw		2	-,-	6 10
153	2 610 919 287	Retaining Plate		2	-,-	1 16
154	2 610 911 900	Screw		2	-,-	2 10
155	2 610 910 784	Screw		2	-,-	4 10
156	2 610 923 318	Bolt		2	-,-	2 -
157	2 610 355 332	Square Nut		2	-,-	1 11
158	2 610 921 458	Washer		2	-,-	2 10
161	2 610 911 914	Set screw		1	-,-	4 12
166	2 610 923 826	Pin		2	-,-	1 11
169	2 610 358 848	Screw		2	-,-	3 11
170	2 610 327 859	Screw 18,9 MM		2	-,-	2 10
171	2 610 911 911	Shoulder Screw		1	-,-	1 10
172	2 610 911 921	Round Rubber		1	-,-	1 10
173	2 610 911 938	Ball Bearing		1	-,-	1 26
174	2 610 911 883	Shoulder Screw		1	-,-	1 12
175	2 610 911 906	Washer		1	-,-	1 11
176	2 610 911 570	Hex Nut		1	-,-	1 10
177	2 610 029 234	Washer		1	-,-	1 12
178	2 610 990 521	Spring retaining ring		1	-,-	2 10
179	2 610 004 925	Screw		1	-,-	2 14

Item	Part Number	Description	Illustration	Price	Quantity	Price Group
180	2 610 358 812	Bolt	1	-,-	2	11
181	2 610 355 325	Spring Washer	1	-,-	2	10
183	2 610 327 846	Ball Bearing	1	-,-	1	27
185	2 610 317 505	Tapping Screw	1	-,-	4	10
186	2 610 993 102	Woodruff Key	1	-,-	1	12
187	2 610 997 281	Spring retaining ring	1	-,-	1	10
188	2 610 029 674	Washer	1	-,-	2	10
189	2 610 911 925	Ring	1	-,-	1	17
190	2 610 358 922	Needle-Roller Bearing	1	-,-	2	24
191	2 610 355 277	Screw	3	-,-	4	15
192	2 610 015 011	Washer	3	-,-	4	10
193	2 610 913 862	Screw	2	-,-	2	10
194	2 610 910 786	Set screw	2	-,-	1	10
195	2 610 919 060	Shoulder Screw	3	-,-	1	11
196	2 610 919 061	Compression Spring	3	-,-	2	10
197	2 610 926 010	Screw	3	-,-	1	15
198	2 610 926 011	Screw	3	-,-	1	15
199	2 610 912 556	Retaining snap ring	3	-,-	4	10
201	2 610 919 065	Screwdriver Bit	3	-,-	1	14
203	2 610 355 295	Screw	2	-,-	1	12
204	2 610 919 067	Compression Spring	2	-,-	1	10
205	2 610 919 068	Compression Spring	2	-,-	1	10
206	2 610 919 069	Spring Pin	2	-,-	1	11
207	2 610 935 532	Stop Screw	2	-,-	1	-
208	2 610 919 070	Shoulder Screw	3	-,-	1	11
210	2 610 320 304	Screw	1	-,-	3	10
211	2 610 919 072	Brake Plate	2	-,-	1	13
212	2 610 919 073	Brake Plate	2	-,-	1	21
214	2 615 297 331	Nut	2	-,-	1	11
216	2 610 919 075	Shoulder Screw	1	-,-	1	11
217	2 610 919 076	Shoulder Screw	1	-,-	1	11
218	2 610 327 867	Screw	1	-,-	5	10
219	2 610 998 575	Screw	1	-,-	4	10
221	2 610 919 077	Compression Spring	1	-,-	1	10
223	2 610 919 079	Ball Bearing	1	-,-	1	27
224	2 610 919 080	Compression Spring	1	-,-	1	10
225	2 610 358 869	Retaining snap ring	1	-,-	1	11
226	2 610 919 081	Cover	1	-,-	1	11
228	2 610 358 928	Screw	1	-,-	4	11
229	2 610 911 569	Insert	1	-,-	2	13
230	2 610 327 868	Nut	1	-,-	2	10
231	2 610 948 209	Pvc Tube	1	-,-	1	-
232	2 610 911 929	Screw	1	-,-	2	10
233	2 610 911 450	Washer	1	-,-	1	11
234	2 610 911 566	Bearing cover	1	-,-	1	14
235	2 610 318 812	Screw	1	-,-	2	13
236	2 610 919 083	Retaining snap ring	1	-,-	1	10
237	2 610 919 084	Screw	1	-,-	2	11
238	2 610 320 330	Screw	1	-,-	4	10
239	2 610 919 085	Compression Spring	1	-,-	1	10
240	2 610 915 162	Screw	1	-,-	2	10
241	2 610 351 178	Hex Screw	2	-,-	1	11
242	2 610 945 488	Screw	1	-,-	6	-

Item	Part Number	Description	Illustration	Price	Quantity	Price Group
243	2 610 919 086	Pin	1	-,-	1	11
244	2 610 919 087	Set screw	1	-,-	2	11
245	2 610 358 519	Screw	1	-,-	1	10
246	2 610 925 187	Nut	1	-,-	1	10
247	2 610 916 061	Stop Plate	1	-,-	1	17
249	2 610 917 658	Adjusting Wrench	2	-,-	1	22
250	2 610 006 436	Dust Bag	2	-,-	1	-
251	2 610 919 280	Suction Tube	2	-,-	1	17
252	2 610 919 089	Quick-Clamping Device	3	-,-	1	36
253	2 610 923 332	Label	2	-,-	1	-
254	2 610 911 658	Warning Plate	3	-,-	2	15
255	2 610 923 323	Label	2	-,-	1	-
256	2 610 923 324	Label	2	-,-	1	-
257	2 610 917 101	Label	2	-,-	1	12
259	2 610 917 097	Label	1	-,-	1	12
260	2 610 923 328	Support Tube	2	-,-	1	-
261	2 610 308 959	Plain Washer	2	-,-	2	19
262	2 610 911 933	Connector	1	-,-	1	10
263	2 610 923 325	Cable	2	-,-	1	-
264	2 610 923 326	Cable	2	-,-	1	-
265	2 610 923 327	Cable	2	-,-	1	-
266	2 610 910 791	Nut	2	-,-	1	15
267	2 610 910 792	Washer	2	-,-	2	10
268	2 610 004 578	Plain Washer	2	-,-	1	-
281	2 610 923 827	Spring	2	-,-	1	-
283	2 610 921 480	Screw	1	-,-	2	16
284	2 610 923 329	Screw	1	-,-	1	-
286	2 610 921 512	Double head engin wrench	2	-,-	1	16
287	2 610 921 483	Hexagon Socket Wrench	2	-,-	1	17
288	2 610 921 484	Terminal Block	1	-,-	1	-
289	2 610 921 487	Shim	1	-,-	1	10
291	2 610 919 282	Plain Washer	2	-,-	1	10
292	2 610 919 281	Washer	2	-,-	4	15
293	2 610 920 822	Cover	2	-,-	1	-
294	2 610 919 279	Housing Cover	1	-,-	1	12
296	2 610 921 459	Nut	2	-,-	1	10
300	2 610 921 464	Sleeve	1	-,-	1	10
301	2 610 921 466	Screw	2	-,-	1	10
302	2 610 921 467	Spacer	2	-,-	3	10
303	2 610 910 013	Washer	2	-,-	1	12
305	2 610 913 099	Plain Washer	1	-,-	1	10
306	2 610 915 870	Label	2	-,-	1	-
307	2 610 921 931	Cover	2	-,-	1	-
308	2 610 920 844	Block	2	-,-	1	-
309	2 610 920 835	End stop	3	-,-	1	-
310	2 610 920 840	Chip Deflector	1	-,-	1	-
311	2 610 923 319	Lever	2	-,-	1	-
312	2 610 923 824	Rubber Bushing	1	-,-	1	-
313	2 610 923 825	Chute	2	-,-	1	-
314	2 610 923 828	Plate	2	-,-	1	-
315	2 610 923 856	Washer	2	-,-	1	-
316	2 610 923 830	Plate	2	-,-	1	10
317	2 610 923 855	Washer	2	-,-	1	-

Item	Part Number	Description	Illustration	Price	Quantity	Price Group
318	2 610 923 938	Label	1	-,-	1	-
320	2 610 923 939	Label	1	-,-	1	-

Illustration - Type E

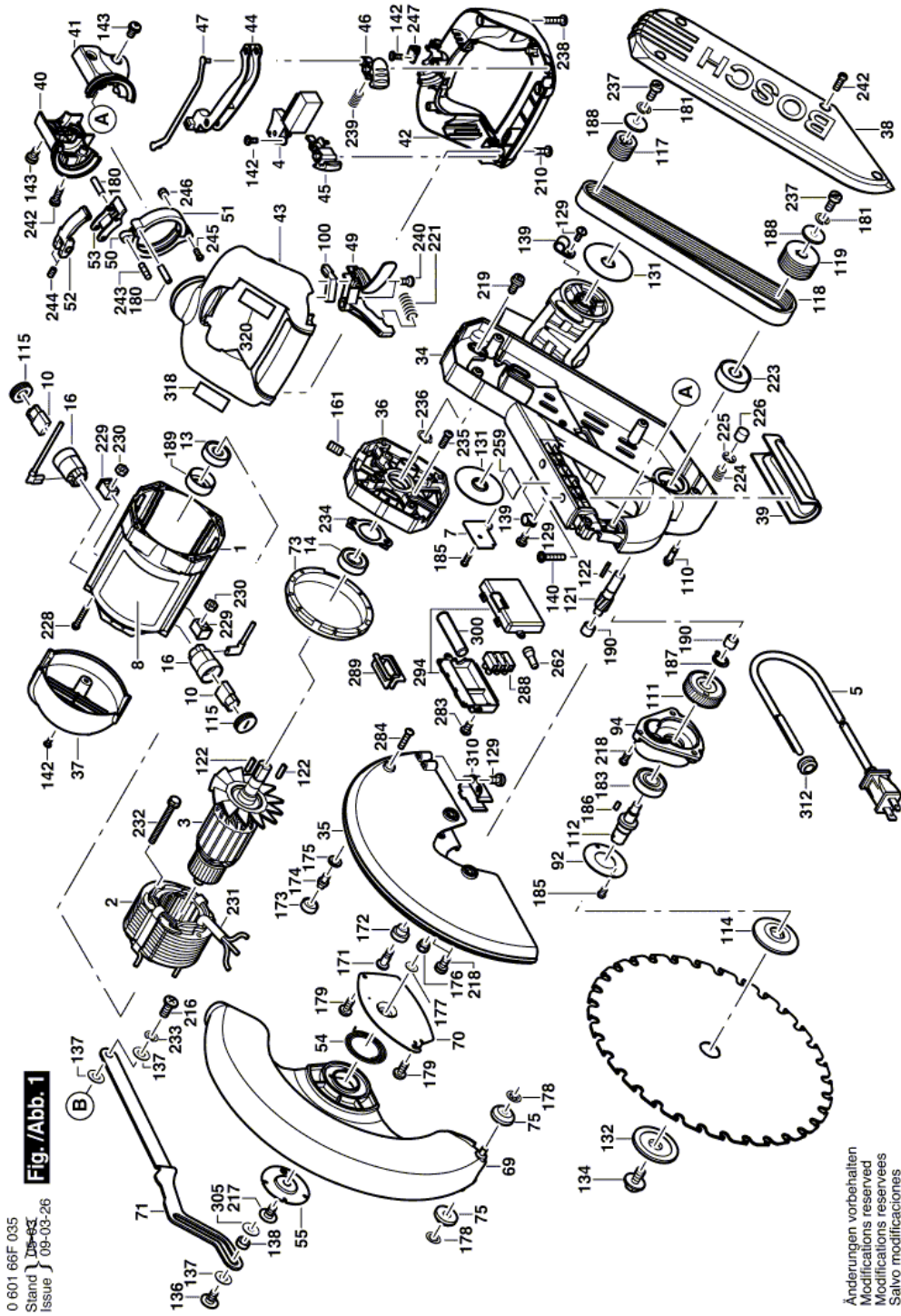


Illustration - Type E

