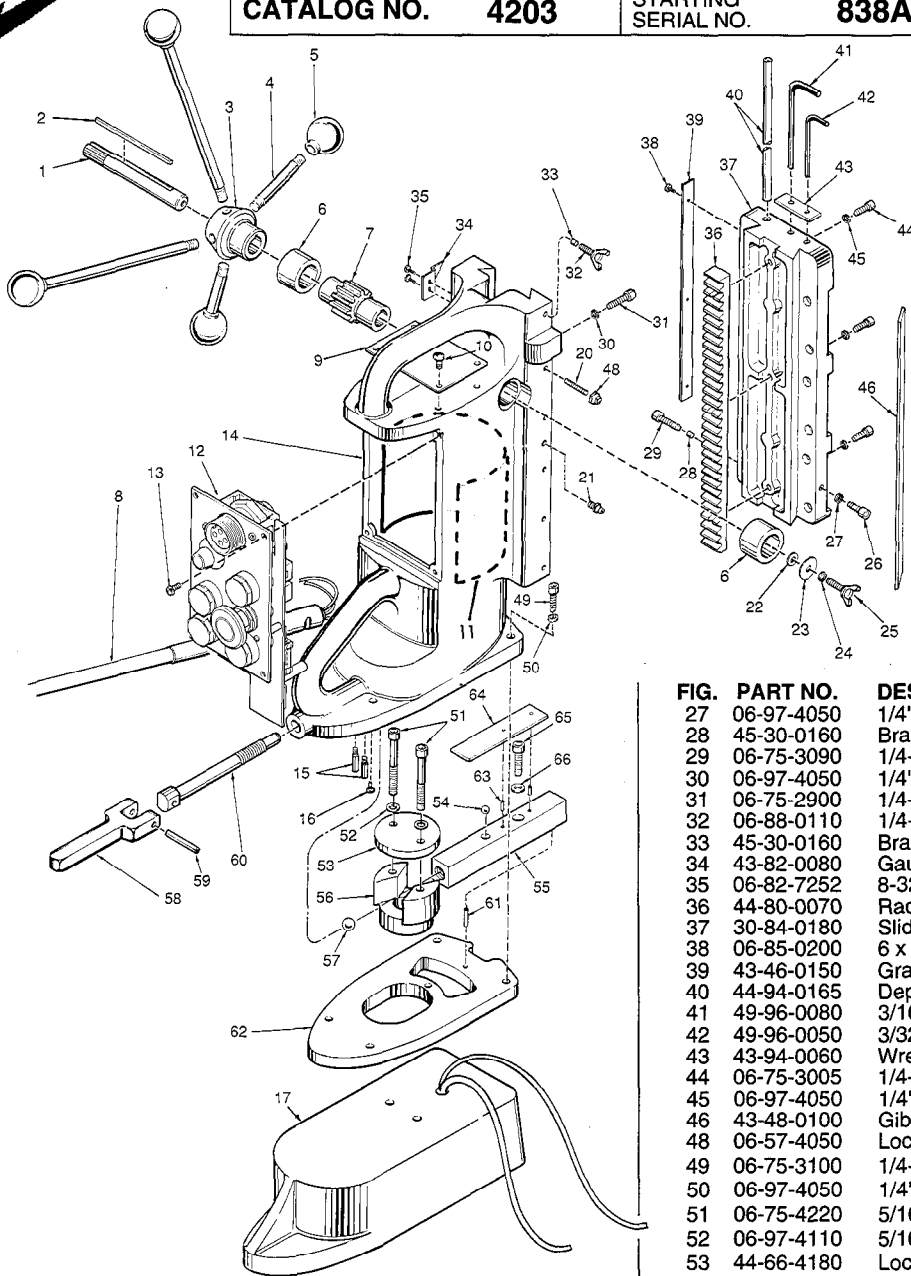




SERVICE PARTS LIST

BULLETIN NO.
54-46-2250

SPECIFY CATALOG NO. AND SERIAL NO. WHEN ORDERING PARTS		REVISED BULLETIN	DATE
ELECTROMAGNETIC DRILL STAND			Apr. '96
CATALOG NO. 4203	STARTING SERIAL NO. 838A	WIRING INSTRUCTION * SEE NOTE	



EXAMPLE:

00	0
----	---

 Component Parts (Small #)
Are Included When Ordering
The Assembly (Large #).

*** NOTE:**
WIRING DETAILS ALONG WITH A LISTING OF COMPONENTS FOR (FIG. NO. 12) PANEL ASSEMBLY ARE SHOWN ON BULLETIN 54-30-0151

FIG.	PART NO.	DESCRIPTION OF PART	NO. REQ.
1	45-08-0160	Shaft	(1)
2	06-42-3750	1/8 x 3-1/2" Square Key	(1)
3	43-78-0260	Handle Hub	(1)
4	43-62-0055	Feed Handle	(4)
5	43-98-0050	Plastic Knob	(4)
6	42-40-0060	Bushing	(2)
7	32-60-2120	Pinion Gear	(1)
8	22-64-0076	Cord Set	(1)
9	12-99-1295	Service Nameplate	(1)
10	06-95-0075	6-32 x 3/8" Truss Hd. Taptite Screw	(4)
11	23-16-0760	Panel Insulator	(1)
12	-----	Panel Assembly (See Note)	(1)
13	06-82-7252	8-32 x 3/8" Pan Hd. Sit. Tapt. T-20	(4)
14	28-50-7830	Support Housing	(1)
15	45-04-0100	Cord Retaining Screw	(2)
16	06-81-8820	Ground Screw	(1)
17	42-20-0680	Magnetic Base Assembly	(1)
20	06-83-2520	10-32 x 1" Headless Socket Screw	(5)
21	43-33-0150	Grease Fitting	(2)
22	45-88-7160	Thrust Washer	(1)
23	45-88-5247	Hub Washer	(1)
24	06-97-4050	1/4" Split Ring Lock Washer	(1)
25	06-88-0110	1/4-20 x 3/4" Wing Screw	(1)
26	06-75-2900	1/4-20 x 3/8" Socket Hd. Screw	(1)

FIG.	PART NO.	DESCRIPTION OF PART	NO. REQ.
27	06-97-4050	1/4" Split Ring Lock Washer	(1)
28	45-30-0160	Brass Slug	(2)
29	06-75-3090	1/4-20 x 7/8" Socket Hd. Screw	(2)
30	06-97-4050	1/4" Split Ring Lock Washer	(1)
31	06-75-2900	1/4-20 x 3/8" Socket Hd. Screw	(1)
32	06-88-0110	1/4-20 x 3/4" Wing Screw	(1)
33	45-30-0160	Brass Slug	(1)
34	43-82-0080	Gauge Indicator	(1)
35	06-82-7252	8-32 x 3/8" Pan Hd. Sit. Tapt. T-20	(2)
36	44-80-0070	Rack	(1)
37	30-84-0180	Slide	(1)
38	06-85-0200	6 x 1/4" Rd. Hd. Type Z Screw	(3)
39	43-46-0150	Graduated Gauge	(1)
40	44-94-0165	Depth Gauge Rod	(1)
41	49-96-0080	3/16" Socket Wrench	(1)
42	49-96-0050	3/32" Socket Wrench	(1)
43	43-94-0060	Wrench Keeper	(1)
44	06-75-3005	1/4-20 x 5/8" Socket Hd. Screw	(3)
45	06-97-4050	1/4" Split Ring Lock Washer	(3)
46	43-48-0100	Gib	(1)
48	06-57-4050	Lock Nut	(5)
49	06-75-3100	1/4-20 x 1" Socket Hd. Screw	(4)
50	06-97-4050	1/4" Split Ring Lock Washer	(4)
51	06-75-4220	5/16-18 X 2-1/2" Socket Hd. Screw	(2)
52	06-97-4110	5/16" Split Ring Lock Washer	(2)
53	44-66-4180	Locking Plate	(1)
54	02-02-0340	11/32" Steel Ball	(1)
55	44-20-0090	Adjusting Lock	(1)
56	45-52-2010	Adjusting Stop	(1)
57	02-02-0360	1/2" Steel Ball	(1)
58	43-62-0540	Locking Handle	(1)
59	06-65-1586	3/16" x 1-3/8" Roll Pin	(1)
60	42-32-0120	Locking Bolt	(1)
61	06-65-1534	1/8" x 5/8" Roll Pin	(1)
62	30-72-0050	Adjusting Plate	(1)
63	06-65-0575	3/32" x 5/16" Roll Pin	(2)
64	45-36-0800	Locking Spacer	(1)
65	06-75-3975	5/16-18 x 1" Socket Hd. Screw	(1)
66	06-97-4110	5/16" Split Ring Lock Washer	(1)
	48-58-0080	6' Safety Chain (Incl. 43-74-0080)	(1)
	43-74-0080	Chain Hook	(1)
	10-98-6095	Chain Label	(1)

FOR MOUNTING DRILL MOTOR TO STAND USE:
 06-97-4050 1/4" Split Ring Lock Washer (4)
 06-75-3050 1/4-20 x 3/4" Socket Hd. Screw (4)

MILWAUKEE ELECTRIC TOOL CORPORATION
 13135 W. LISBON RD., BROOKFIELD, WI 53005



SERVICE PARTS LIST

BULLETIN NO.
54-30-0152

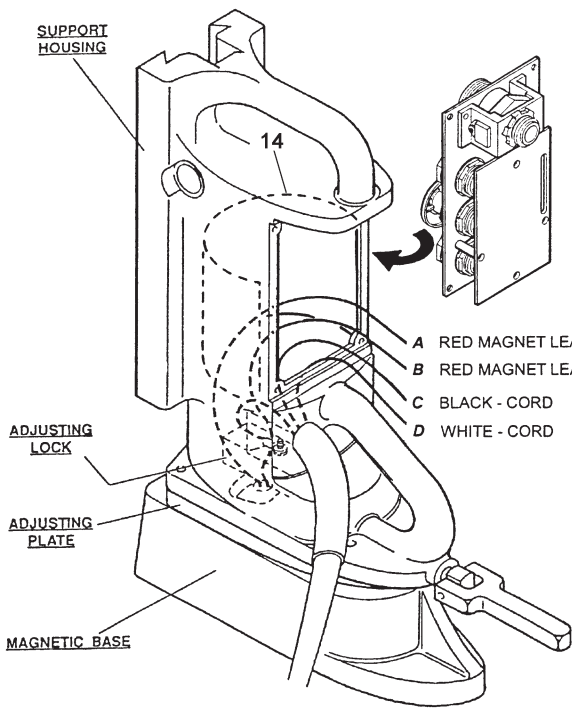
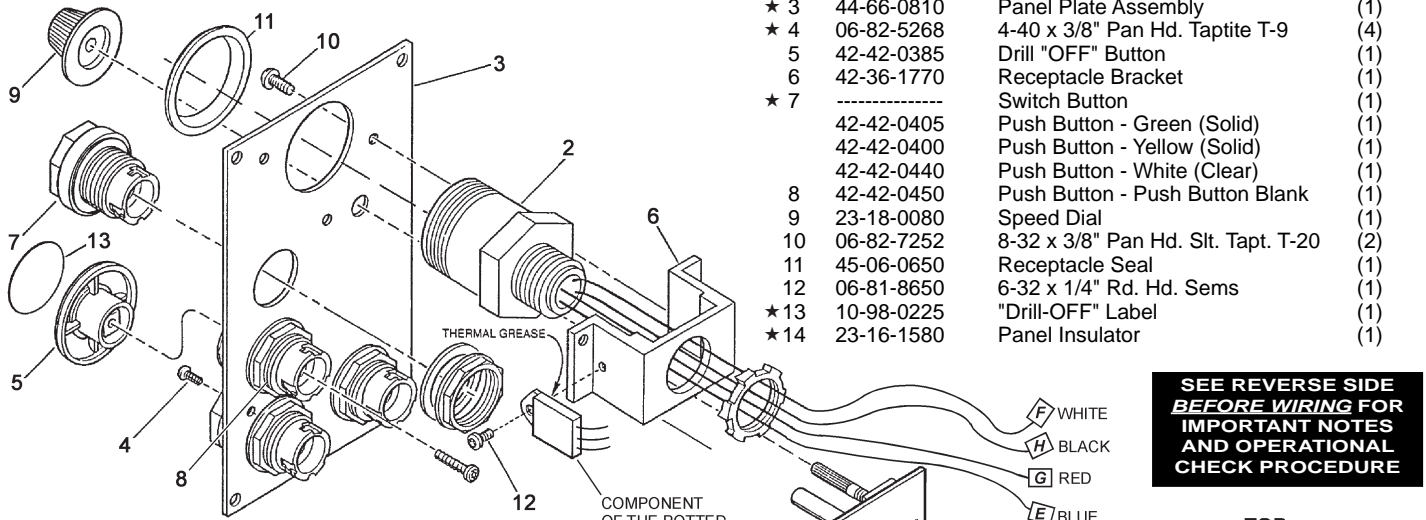
SPECIFY CATALOG NO. AND SERIAL NO. WHEN ORDERING PARTS		REVISED BULLETIN	DATE
MAG STAND CONTROL PANEL		54-30-0151	Aug. 2010
CATALOG NO. 23-35-0312		SERIAL NUMBER	
		WIRING INSTRUCTION SEE BELOW	

EXAMPLE:

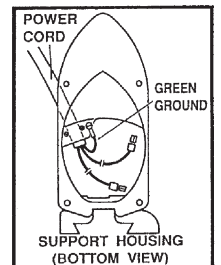
00	0
----	---

 Component Parts (Small #) Are Included When Ordering The Assembly (Large #).

FIG.	PART NO.	DESCRIPTION OF PART	NO. REQ.
★ 1	-----	Circuit Board Assembly	(1)
★ 2	23-33-0495	Receptacle Assembly	(1)
★ 3	44-66-0810	Panel Plate Assembly	(1)
★ 4	06-82-5268	4-40 x 3/8" Pan Hd. Taptite T-9	(4)
5	42-42-0385	Drill "OFF" Button	(1)
6	42-36-1770	Receptacle Bracket	(1)
★ 7	-----	Switch Button	(1)
	42-42-0405	Push Button - Green (Solid)	(1)
	42-42-0400	Push Button - Yellow (Solid)	(1)
	42-42-0440	Push Button - White (Clear)	(1)
	42-42-0450	Push Button - Push Button Blank	(1)
8	23-18-0080	Speed Dial	(1)
10	06-82-7252	8-32 x 3/8" Pan Hd. Slit. Tapt. T-20	(2)
11	45-06-0650	Receptacle Seal	(1)
12	06-81-8650	6-32 x 1/4" Rd. Hd. Sems	(1)
★ 13	10-98-0225	"Drill-Off" Label	(1)
★ 14	23-16-1580	Panel Insulator	(1)



WIRING INSTRUCTIONS



Cord Set Terminals	
Wire Color	Part Number
Black	23-74-0970
White	23-74-0970
Green	23-74-0320

- ROUTE TWO MAGNETIC BASE LEADS (RED WIRES WITH YELLOW SLEEVING) THROUGH ADJUSTING PLATE AND PAST ADJUSTING LOCK MECHANISM, ONE ON EACH SIDE. MAKE SURE SLEEVING IS NOT ABRADED DURING ROUTING.
- SECURE LINE CORD IN SUPPORT HOUSING.
- ATTACH GROUND TERMINAL TO SUPPORT HOUSING WITH GROUND SCREW. POSITION GROUND WIRE TERMINAL AS SHOWN, SO IT CAN SET FLAT AGAINST HOUSING BEFORE SECURING.
- ATTACH THE BLACK AND WHITE LEADS FROM LINE CORD, AS SHOWN.
- ATTACH THE LEADS FROM THE MAGNETIC BASE, AS SHOWN. **NOTE:** THE LEADS FROM THE MAGNETIC BASE CAN BE ATTACHED TO THE PANEL IN EITHER LOCATION.
- ATTACH THE POTTED PCB ASSEMBLY TO THE SUPPORT HOUSING.
- GENTLY PUSH THE BUNDLE OF WIRES DOWNWARD AND INSTALL THE CONTROL PANEL INTO THE HOUSING. AVOID PINCHING WIRES OR THE RIBBON CABLE AS THE CONTROL PANEL IS BEING INSTALLED.