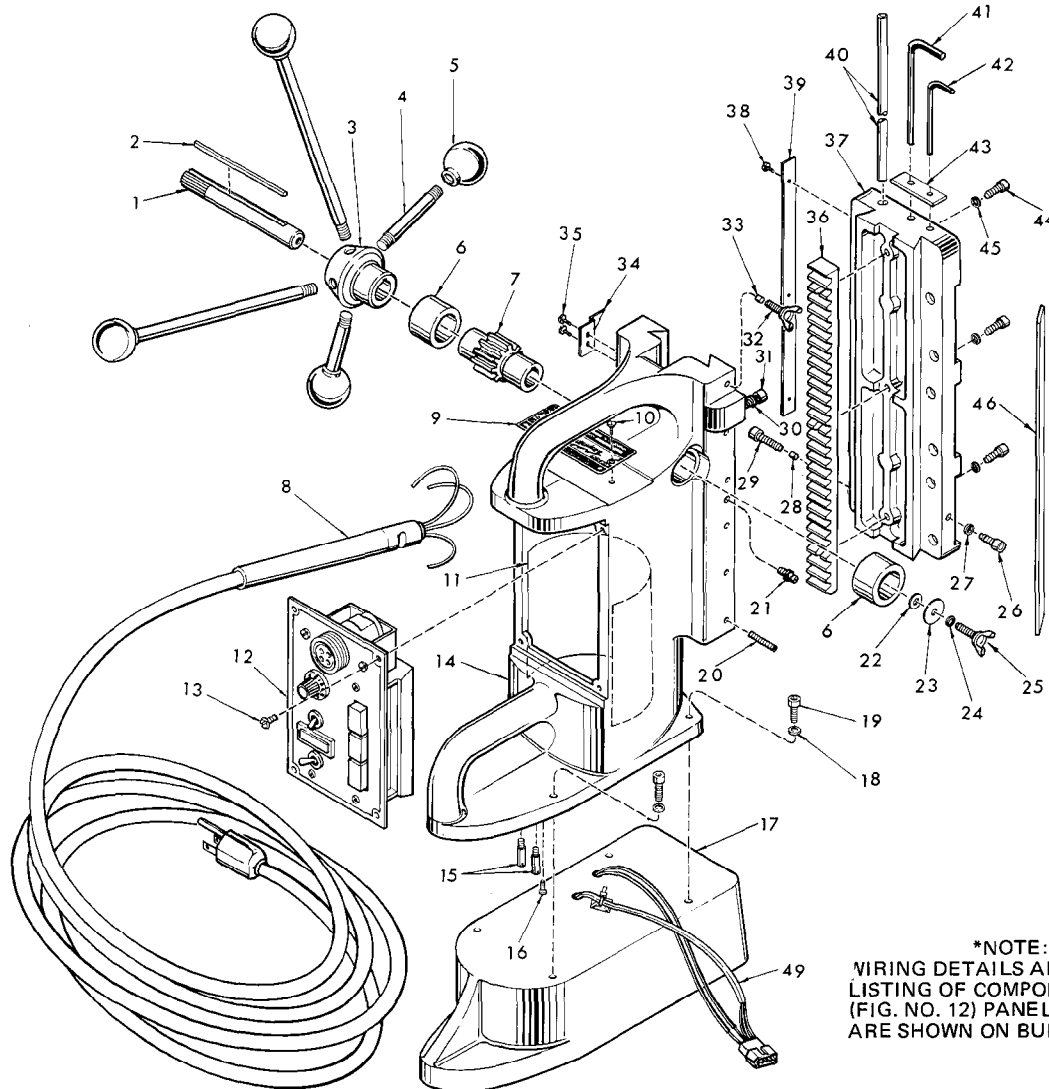




SERVICE PARTS LIST

BULLETIN NO.
54-46-2225

SPECIFY CATALOG NO. AND SERIAL NO. WHEN ORDERING PARTS		REVISED BULLETIN	DATE
ELECTROMAGNETIC DRILL STAND			Feb. '85
CATALOG NO. 4202	STARTING SERIAL NO. 598-1001	WIRING INSTRUCTION *SEE NOTE	
CAT. NO. 4202-6	START SER. NO. 598-1001	BILINGUAL LABEL- SEE NAMEPLATE	



*NOTE:
WIRING DETAILS ALONG WITH A LISTING OF COMPONENTS FOR (FIG. NO. 12) PANEL ASSEMBLY ARE SHOWN ON BULLETIN 54-30-0400.

FIG.	PART NO.	DESCRIPTION OF PART	NO. REQ.	FIG.	PART NO.	DESCRIPTION OF PART	NO. REQ.
1	45-08-0160	Shaft	(1)	26	06-75-2900	1/4-20X3/8" Socket Hd. Screw	(1)
2	06-42-3750	1/8x3-1/2" Square Key	(1)	27	06-97-4050	1/4" Split Ring Lock Washer	(1)
3	43-78-0260	Handle Hub	(1)	28	45-30-0160	Brass Slug	(2)
4	43-62-0055	Feed Handle	(4)	29	06-75-3090	1/4-20x7/8" Socket Hd. Screw	(2)
5	43-98-0050	Handle Knob	(4)	30	06-97-4050	1/4" Split Ring Lock Washer	(1)
6	42-40-0060	Bushing	(2)	31	06-75-2900	1/4-20x3/8" Socket Hd. Screw	(1)
7	32-60-2120	Pinion Gear	(1)	32	06-88-0110	1/4-20x3/4" Wing Screw	(1)
8	22-64-0076	Cord Set	(1)	33	45-30-0160	Brass Slug	(1)
9	12-99-0060	Nameplate Blank	(1)	34	43-82-0080	Gauge Indicator	(1)
	12-99-0326	Nameplate Blank (Canada)	(1)	35	06-81-5400	8-32x5/16" Binder Sem	(2)
10	06-85-0200	6x1/4" Rd. Type Z Screw	(2)	36	44-80-0070	Rack	(1)
11	23-16-0760	Panel Insulator	(1)	37	30-84-0180	Slide	(1)
12	—	Panel Assembly (See Note)	(1)	38	06-85-0200	6x1/4" Rd. Hd. Type Z Screw	(3)
13	06-81-5400	8-32x5/16" Binder Sem	(4)	39	43-46-0150	Graduated Gauge	(1)
14	28-50-7815	Support Housing	(1)	40	44-94-0165	Depth Gauge Rod	(1)
15	45-04-0100	Cord Retaining Screw	(2)	41	49-96-0080	3/16" Socket Wrench	(1)
16	06-81-8820	Ground Screw	(1)	42	49-96-0050	3/32" Socket Wrench	(1)
17	42-20-0505	Magnetic Base Assembly	(1)	43	43-94-0060	Wrench Keeper	(1)
18	06-97-4050	1/4" Split Ring Lock Washer	(4)	44	06-75-3005	1/4-20x5/8" Socket Hd. Screw	(3)
19	06-75-3090	1/4-20x7/8" Socket Hd. Screw	(4)	45	06-97-4050	1/4" Split Ring Lock Washer	(3)
20	06-83-2480	10-32x5/8" Hdls. Set Screw	(5)	46	43-48-0090	Gib	(1)
21	43-33-0150	Grease Fitting	(2)	47	12-98-7035	Instruction Plate (Not Shown)	(1)
22	45-88-7160	Thrust Washer	(1)	48	48-58-0080	Safety Chain Assembly (Not Shown)	(1)
23	45-88-5247	Hub Washer	(1)	49	23-38-0095	Reed Relay Assy. (Part of base Assy. Fig. No. 17)	(1)
24	06-97-4050	1/4" Split Ring Lock Washer	(1)				
25	06-88-0110	1/4-20x3/4" Wing Screw	(1)				

▶ 47 12-98-7035 Instruction Plate (Not Shown)
▶ 48 48-58-0080 Safety Chain Assembly (Not Shown)
▶ 49 23-38-0095 Reed Relay Assy. (Part of base Assy. Fig. No. 17) (1)
▶ Omit for Canadian Tools

MILWAUKEE ELECTRIC TOOL CORPORATION
13135 W. LISBON RD., BROOKFIELD, WIS. 53005