



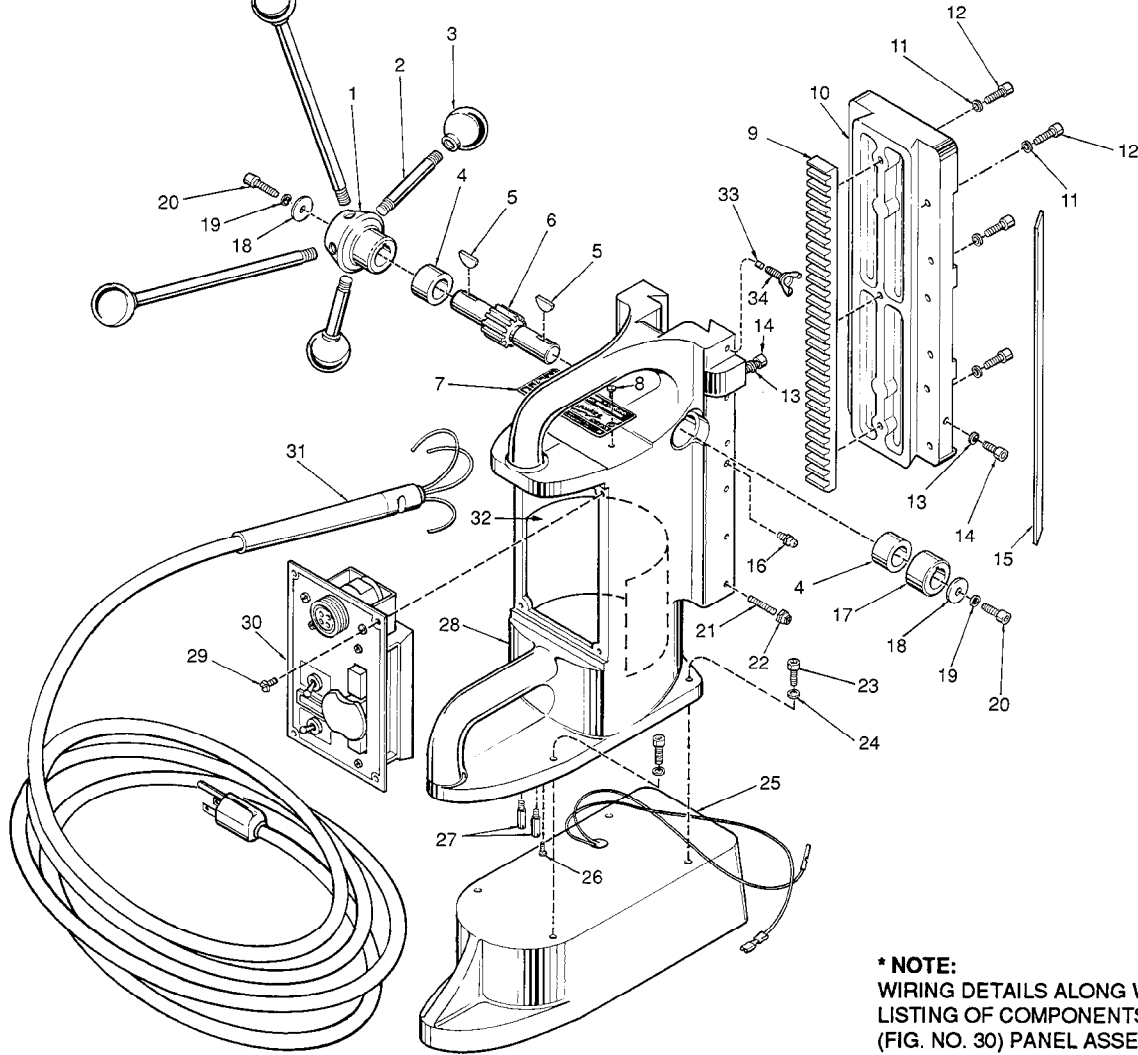
SERVICE PARTS LIST

BULLETIN NO.
54-46-2205

SPECIFY CATALOG NO. AND SERIAL NO. WHEN ORDERING PARTS		REVISED BULLETIN	DATE
MEDIUM BASE ELECTROMAG DRILL STAND		54-46-2204	Sept. '93
CATALOG NO. 4201	STARTING SERIAL NO. 498A	WIRING INSTRUCTION * SEE NOTE	



EXAMPLE:
Component Parts (Small #) Are Included
When Ordering The Assembly (Large #).



*** NOTE:**
WIRING DETAILS ALONG WITH A
LISTING OF COMPONENTS FOR
(FIG. NO. 30) PANEL ASSEMBLY ARE
SHOWN ON BULLETIN 54-30-0351

FIG.	PART NO.	DESCRIPTION OF PART	NO. REQ.	FIG.	PART NO.	DESCRIPTION OF PART	NO. REQ.
	1	43-78-0240 Handle Hub	(1)	21	06-83-2520	10-32 x 1" Headless Socket Screw	(5)
	2	43-62-0055 Handle	(4)	22	06-57-4050	Lock Nut	(5)
	3	43-98-0050 Plastic Knob	(4)	23	06-75-3090	1/4-20 x 7/8" Socket Hd. Screw	(4)
	4	42-40-0445 Bushing	(2)	24	06-97-4050	Lock Washer	(4)
	5	06-42-2300 Woodruff Key	(2)	25	42-20-0400	Magnetic Base Assembly	(1)
	6	32-60-2050 Pinion Gear	(1)	★ 26	06-81-8820	8-32 x 1/4" Ground Screw	(1)
★	7	12-99-1295 Service Nameplate	(1)	27	45-04-0100	Cord Retaining Screw	(2)
	8	06-95-0075 6-32 x 3/8" Truss Hd. Taptite Screw	(2)	★ 28	28-50-7811	Support Housing	(1)
	9	44-80-0070 Rack	(1)	29	06-81-5400	8-32 x 5/16" Binder Sems	(4)
	10	30-84-0190 Slide	(1)	30	23-35-0301	Panel Assembly (See Note)	(1)
	11	06-97-4050 Lock Washer	(7)	★ 31	22-64-0076	Cord Set	(1)
	12	06-75-3050 1/4-20 x 3/4" Socket Hd. Screw	(7)	32	23-16-0760	Panel Insulator	(1)
	13	06-97-4050 Lock Washer	(2)	33	45-30-0160	Brass Slug	(1)
	14	06-75-2900 1/4-20 x 3/8" Socket Hd. Screw	(2)	34	06-88-0110	1/4-20 x 3/4" Wing Screw	(1)
	15	43-48-0090 Gib	(1)		48-58-0080	6' Safety Chain (Includes 43-74-0080)	(1)
	16	43-33-0150 Grease Fitting	(2)		43-74-0080	Chain Hook	(1)
	17	43-78-0230 Hub	(1)		49-96-0050	3/32" Socket Wrench	(1)
	18	45-88-5247 Hub Washer	(2)		49-96-0080	3/16" Socket Wrench	(1)
	19	06-97-4050 Lock Washer	(2)				
	20	06-75-3005 1/4-20 x 5/8" Socket Hd. Screw	(2)				

MILWAUKEE ELECTRIC TOOL CORPORATION
13135 W. LISBON RD., BROOKFIELD, WI 53005