



SERVICE PARTS LIST

BUL. 54-46-2002

ELECTROMAGNETIC DRILL STAND

REVISED BUL
54-46-2001

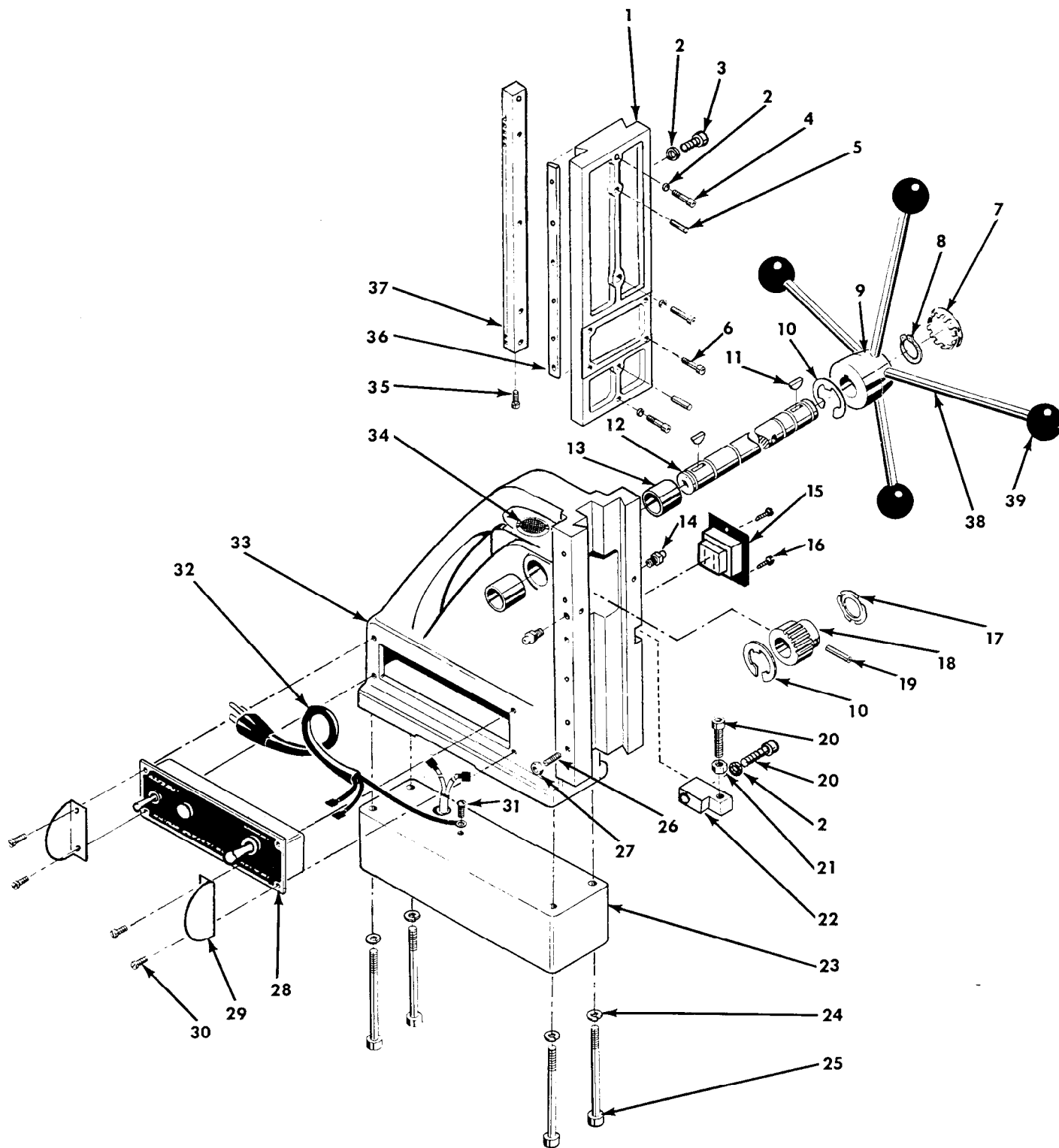
DATE
Sept., '70

Catalog No. 4200

Starting Serial No. 302-1705

WIRING INSTR.

Both Model and Serial No. must be furnished to obtain correct parts.





SERVICE PARTS LIST

ELECTROMAGNETIC STAND

4200

FIG.	PART NO.	DESCRIPTION OF PART	NO. REQ.	FIG.	PART NO.	DESCRIPTION OF PART	NO. REQ.
1	30-84-0101	Slide Housing		22	42-28-0180	Stop Block	
2	06-97-4050	Lock Washer	(5)	23	42-20-0190	Magnetic Base	
3	06-75-2900	1/4-20x3/8 Skt. Hd. Screw		24	06-97-4050	Lock Washer	(4)
4	06-75-3050	1/4-20x3/4 Skt. Screw	(3)	25	06-75-3460	1/4-20x2-3/4 Skt. Hd. Screw	(4)
5	06-65-1650	1/4x1-1/4 Pin	(2)	26	06-83-2520	10-32x1 Hdls. Skt. Screw	(6)
6	06-75-3050	1/4-20x3/4 Skt. Screw	(4)	27	06-57-4050	10-32 Lock Nut	(6)
7	44-68-0180	Hub End Plug		★ 28	23-35-0101	Replacement Panel Assy.	
8	34-60-1600	Retaining Ring		29	43-54-0170	Panel Guard	(2)
9	43-78-0105	Hub		30	06-81-0550	6-32x5/16 Slot Dr. Screw	(4)
10	45-88-0640	Snap Ring	(2)	31	06-81-4640	10-32x1/4 Rd. Hd. Screw	
11	06-42-2200	Woodruff Key	(2)	★ 32	22-64-0080	Cord Set	
★ 12	45-08-0055	Shaft		33	28-50-7941	Housing Support	
★ 13	42-40-0401	Bushing	(2)	34	45-83-0050	Vent	
14	43-33-0150	Grease Fitting	(2)	35	06-83-2440	10-32x5/16 Hdls. Hex Screw	
15	23-33-0170	Receptacle		36	43-48-0050	Gib	
16	06-81-4566	8-32x3/8 Rd. Hd. Screw	(2)	37	44-80-0110	Rack	
17	45-88-0410	Spring Washer		38	43-62-0270	Feed Handle	(4)
18	32-60-1001	Pinion Gear		39	43-98-0050	Plastic Knob	(4)
19	06-65-1595	1/4x1/2 Roll Pin	(2)	40	12-98-7020	Nameplate (Not Shown)	
★ 20	06-75-3100	1/4-20x1 Skt. Cap Screw	(2)	41	06-81-0550	6-32x5/16 Slot Dr. Screw	
21	06-57-5000	1/4-20 Lock Nut				(For Nameplate)	(4)