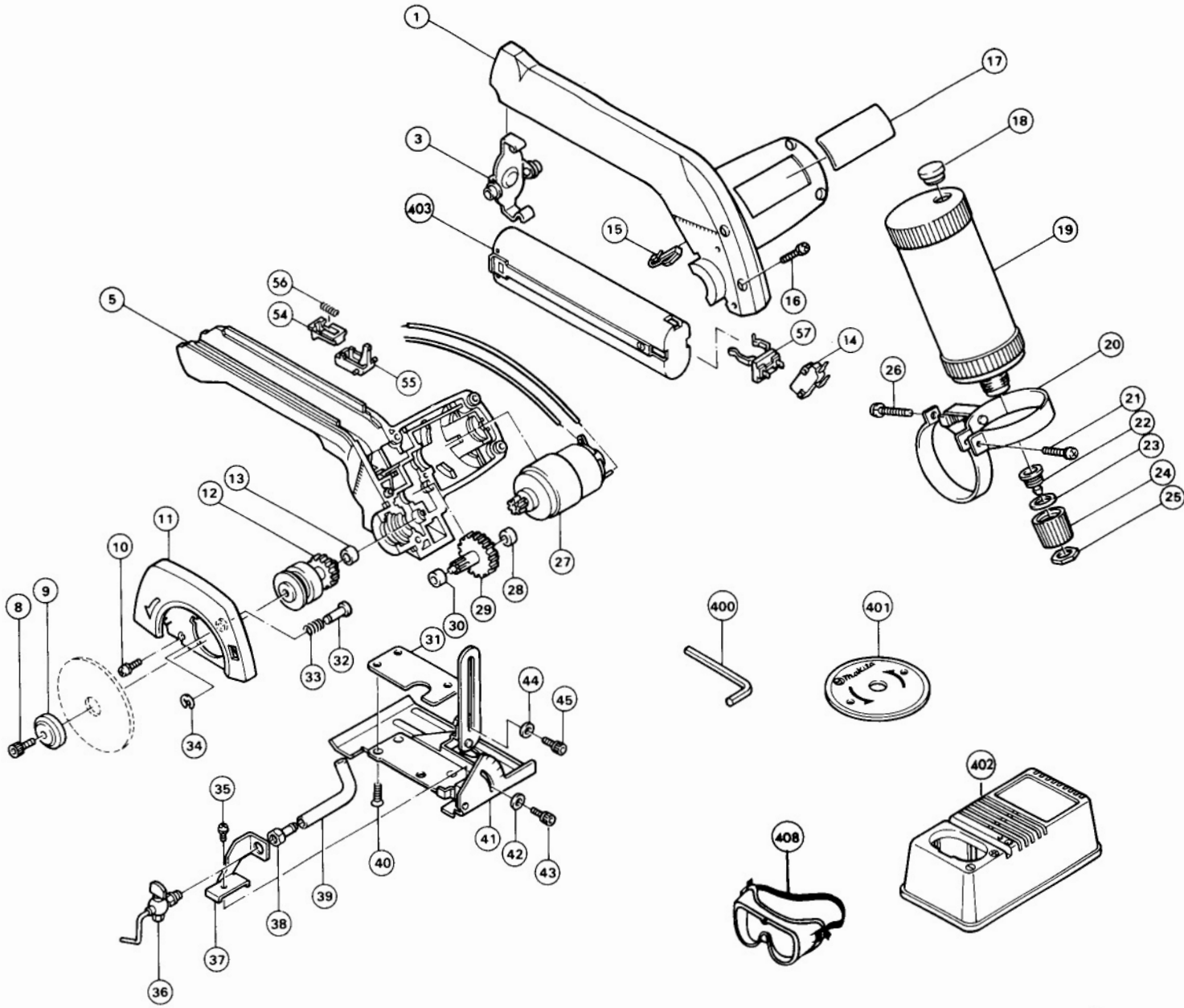


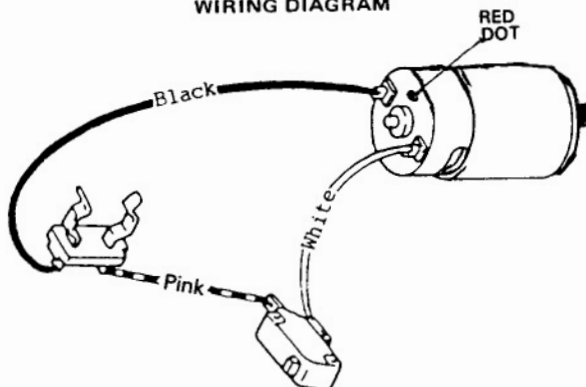


CORDLESS CUTTER

Model 4190D
Model 4190DW



WIRING DIAGRAM



IMPORTANT — To assure product **SAFETY** and **RELIABILITY**, repairs, maintenance or adjustments should be performed by **MAKITA** Service Centers or other qualified service organizations. Always use **MAKITA** replacement parts.

Fig.	Part No.	Qty. Used	Description	Fig.	Part No.	Qty. Used	Description
1	182025-7	1	HOUSING SET (INCL. FIG.: 3 & 5)	32	256625-0	1	PIN 5
3	163157-9	0	SET PLATE	33	231098-8	1	COMPRESSION SPRING 6
5	182025-7	1	HOUSING SET (INCL. FIG.: 1 & 3)	34	961011-9	1	STOP RING E-4
8	922212-4	1	HEX BOLT M5X12	35	911101-8	1	SCREW M4X6
9	224177-9	1	OUTER FLANGE 28	36	168191-4	1	VALVE
10	911121-2	3	SCREW M4X14	37	343517-3	1	VALVE HOLDER
11	164872-8	1	BLADE CASE	38	323601-0	1	NUT
12	153132-3	1	GEAR COMPLETE	39	412079-3	1	VINYL TUBE 5
13	214017-9	1	PLANE BEARING 5	40	912222-9	3	SCREW M5X16
14	651862-5	1	SWITCH	41	163281-8	1	BASE
15	232061-4	1	LEAF SPRING	42	253184-5	1	FLAT WASHER 5
16	911148-2	5	SCREW M4X25	43	922206-9	1	HEX BOLT M5X10
18	421198-4	1	PLUG	44	253184-5	1	FLAT WASHER 5
19	242030-7	1	TANK	45	922206-9	1	HEX BOLT M5X10
20	163159-5	1	TANK HOLDER (INCL. BAND B, 343530-1)	54	414169-8	1	LOCK OFF LEVER
21	911146-6	1	SCREW M4X25	55	414168-0	1	SWITCH LEVER
22	321512-3	1	METALLIC CAP	56	231390-2	1	COMPRESSION SPRING 3
23	261056-0	1	RUBBER WASHER 12	57	643909-9	1	BATTERY HOLDER
24	411988-3	1	CAP	ACCESSORIES			
25	252064-2	1	HEX NUT M12-14	400	783202-0	1	HEX WRENCH 4
26	911146-6	1	SCREW M4X25	401	7249508C	1	DIAMOND WHEEL
27	629574-8	1	DC MOTOR 9.6V (INCL. SPUR GEAR, 221867-5)	402	1130874	1	CHARGER
28	214019-5	1	PLANE BEARING 4	403	632007-4	1	BATTERY
29	226053-3A	1	GEAR COMPLETE 11-67	404	122387-1	1	WATER SUPPLY (INCL. FIG.: 18-26, 36,39)
30	214019-5	1	PLANE BEARING 4	405	423075-6	1	RUBBER PLATE
31	423070-6	1	PACKING	408	191686-2	1	SAFETY GOGGLES

² Model4190D
Model4190DW

04-94