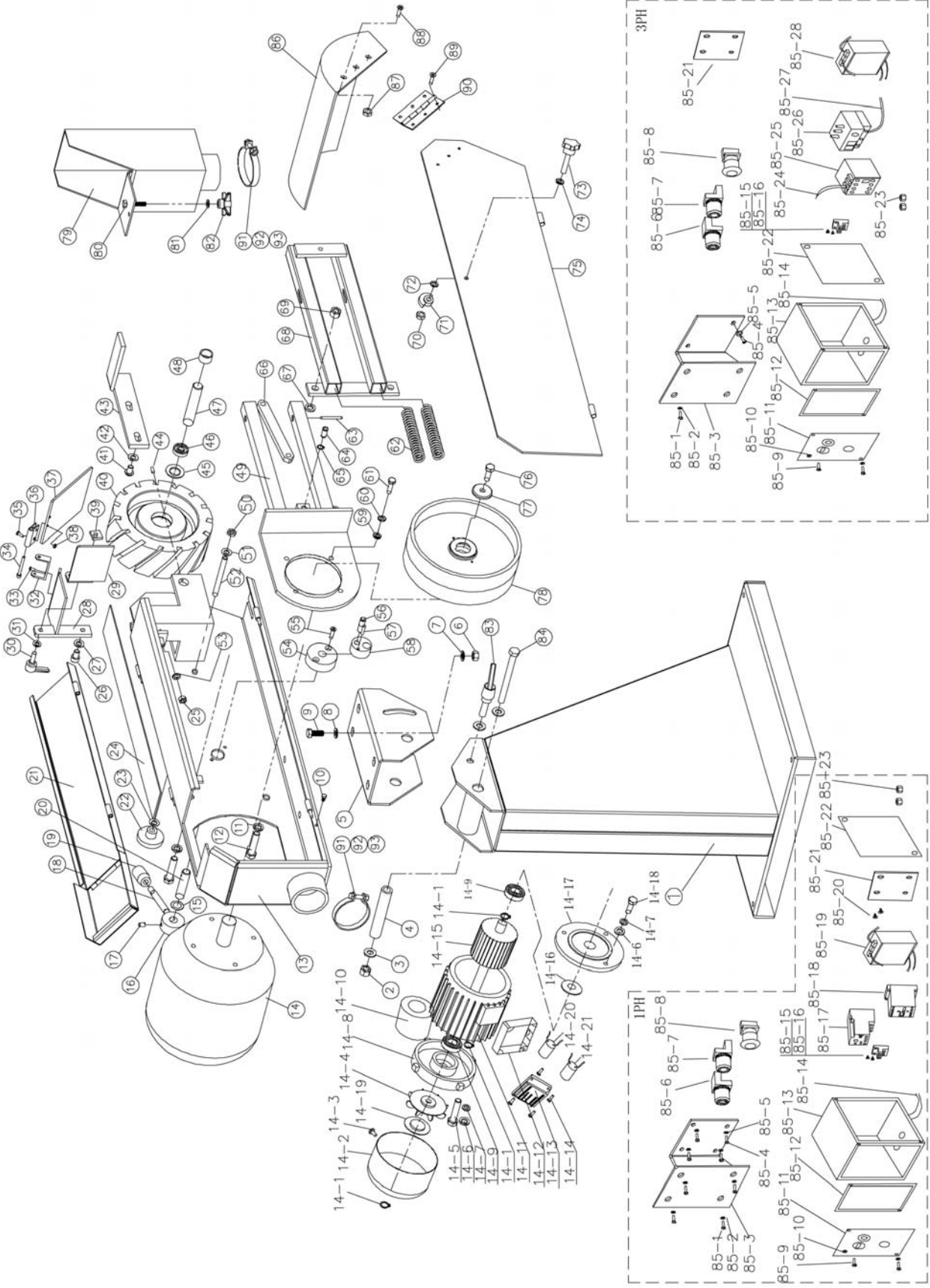


12.1.1 BG-379 Belt Grinders – Exploded View



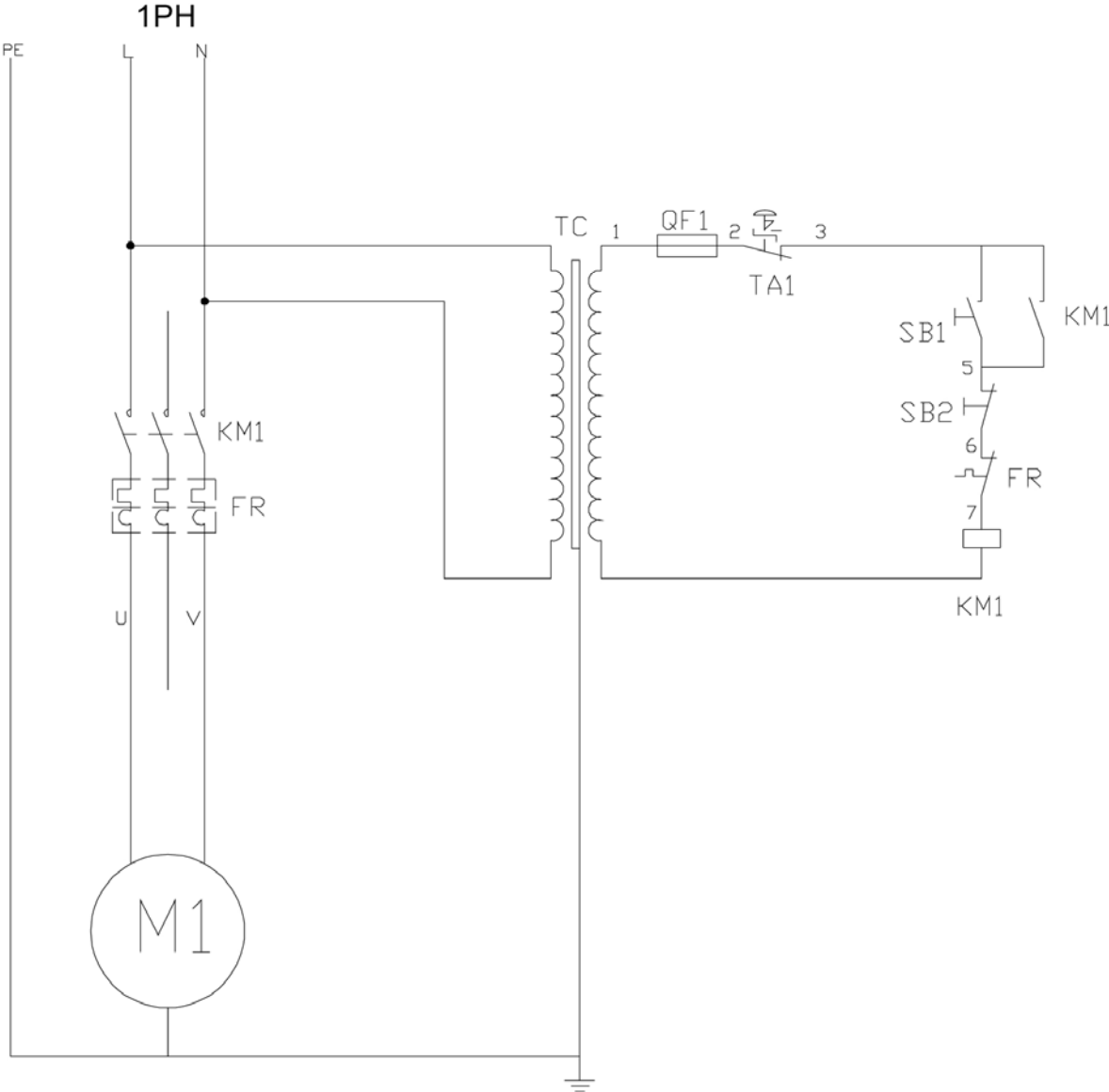
12.1.2 BG-379 Belt Grinders – Parts List

Index No.	Part No.	Description	Size	Qty
1	S-75B-000	Stand		1
2	TS-2342121	Nylon Lock Hex Nut	M12	1
3	TS-2360121	Flat Washer	12mm	3
4	S-75B-006	Inside Tube		1
5	S-75B-004	Stand		1
6	TS-1540071	Hex Nut	M10	4
7	TS-1550071	Flat Washer	10mm	4
8	BG379-08	Internal Serrated Washer	10mm	4
9	BG379-09	Socket Head Flat Screw	M10x20	4
10	TS-1502021	Socket Head Cap Screw	M5x10	2
11	BG379-11	External Serrated Washer	12mm	2
12	TS-1517041	Socket Head Flat Screw	M12x50	2
13	S-75-1003	Body		1
14	S-75-14/1	Motor (for 1PH)	4HP 1PH 230V	1
	S-75-14/3	Motor (for 3PH)	4HP 3PH 230/460V	1
14-1	BG379-14-1	Retaining Ring	25mm	3
14-2	S-75-14-2	Motor Fan Cover		1
14-3	TS-1501031	Socket Head Cap Screw	M4x10	3
14-4	S-75-14-4	Motor Fan		1
14-5	TS-1490041	Hex Cap Screw	M8x25	3
14-6	TS-1550061	Flat Washer	8mm	3
14-7	TS-2361081	Lock Washer	8mm	3
14-8	S-75-14-8	Housing Cover		1
14-9	BB-6206	Ball Bearing	6206	2
14-10	S-75-14-10/1	Stator (for 1PH)		1
	S-75-14-10/3	Stator (for 3PH)		1
14-11	S-75-14-11	Motor canister		1
14-12	S-75-14-12	Upper Junction Box		1
14-13	S-75-14-13	Lower Junction Box		1
14-14	TS-2284082	Phillips Pan Head Machine Screw	M4x8	4
14-15	S-75-14-15/1	Rotor (for 1PH)		1
	S-75-14-15/3	Rotor (for 3PH)		1
14-16	S-75-14-16	Washer		1
14-17	S-75-14-17	Cover		1
14-18	BG379-14-18	Hex Bolt (fully threaded)	M8x20	3
14-19	S-75-14-19	Centrifugal Switch (for 1PH)		1
14-20	S-75-14-20	Start Capacitor (for 1PH)	400 μ F, 250VAC	1
14-21	S-75-14-21	Run Capacitor (for 1PH)	50 μ F, 450VAC	1
15	S-75-1022	Thin Plain Washer		1
16	S-75-1023	Belt Tension Release Base		1
17	TS-1504031	Socket Head Cap Screw	M8x16	1
18	S-75-1024	Belt Tension Release Lever		1
19	BG379-19	Sleeve	M10x50	1
20	S-75-1019	Shaft		1
21	S-75-1001	Belt Guard		1
22	S-75-22	Locking Handle	10x63mm	1
23	TS-1550071	Flat Washer	10mm	1
24	S-75-24	Graphite Layer	520x75mm	1
25	TS-1540061	Hex Nut	M8	2
26	BG379-26	Socket Head Flat Screw	M10x16	1
27	TS-1550071	Flat Washer	10mm	1
28	S-75-1030	Top Work Support		1
29	S-75-1033	Top Work Support Plate		1
30	BG379-30	Lock Handle	M8x63	1
31	TS-1550061	Flat Washer	8mm	1
32	S-75-1032	Eye Protection Base		1

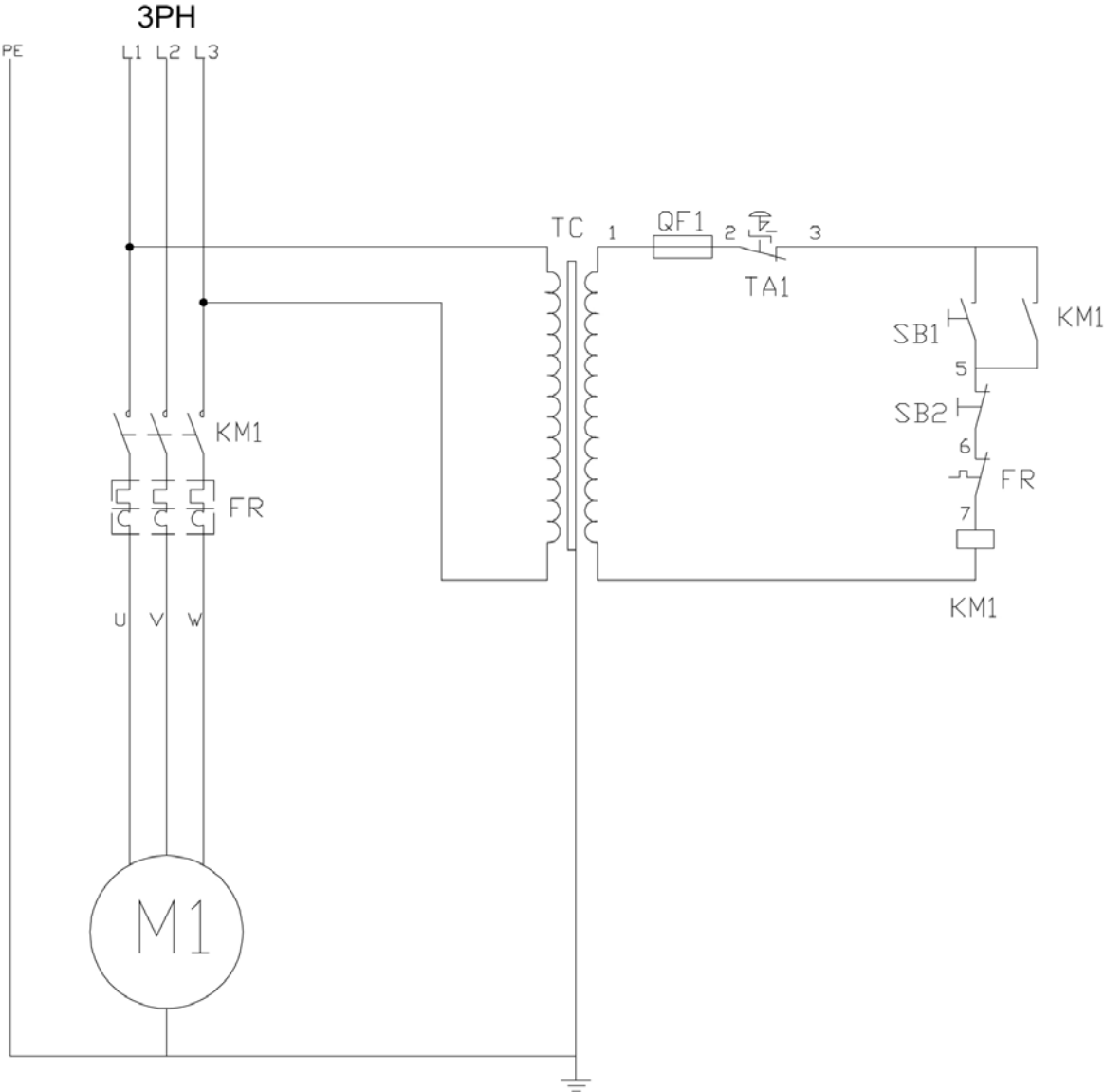
Index No.	Part No.	Description	Size	Qty
33	TS-1532042	Phillips Pan Head Machine Screw	M4x12	2
34	BG379-34	Socket Head Cap Screw	M5x50	1
35	5712561	Phillips Pan Head Machine Screw	M5x8	2
36	S-75-1031	Eye Protection Hinge		1
37	S-75-1029	Eye Protection Cover		1
38	TS-1540021	Hex Nut	M4	2
39	S-75-1034	Block with Thread		1
40	S-75-1011	Contact Wheel		1
41	BG379-41	Socket Head Flat Screw	M10x16	2
42	TS-1550071	Flat Washer	10mm	2
43	S-75-1013	Work Support		1
44	TS-1513031	Socket Head Flat Screw	M5x16	1
45	BG379-45	Stop Ring	42mm	2
46	BB-6004ZZ	Ball Bearing	6004ZZ	2
47	S-75-1012	Shaft		1
48	S-75-1014	Spacer		2
49	S-75-1002	Motor Support		1
50	TS-1541041	Nylon Lock Hex Nut	M10	1
51	BG379-51	Butterfly Spring	10mm	1
52	S-75-1025	Screw Bar		1
53	TS-1550061	Flat Washer	8mm	1
54	S-75-1021	Base		1
55	BG379-55	Socket Head Countersunk Screw	M6x25	2
56	S-75-1017	Shaft		1
57	SBR30M-62	Spring Pin	5x20mm	1
58	S-75-1020	Eccentric wheel		1
59	TS-1550061	Flat Washer	8mm	4
60	TS-2361081	Lock Washer	8mm	4
61	BG379-61	Hex Bolt, fully threaded	M8x22	4
62	S-75-1015	Spring		2
63	BG379-63	Elasticity pin	6x40mm	2
64	S-75-1017	Pin Shaft		1
65	BG379-65	Retaining Ring	10mm	3
66	S-75-1018	Draw Bar		1
67	BG379-67	Butterfly Spring	12mm	12
68	S-75-1016	Support		1
69	TS-2342121	Nylon Lock Hex Nut	M12	2
70	TS-2245081	Socket Head Flat Screw	M5x8	1
71	PRS76-044	Catch		1
72	BG379-72	Thin Hex Nut	M10	1
73	S-75-73	Wing Handle	M10x25	1
74	TS-1550071	Flat Washer	10mm	1
75	S-75-1035	Side Panel		1
76	BG379-76	Hex Bolt, fully threaded	M10x30	1
77	S-75-1009	Washer		1
78	S-75-1008	Drive Wheel		1
79	S-75-1036	Spark Trap		1
80	BG379-80	Hex Bolt, fully threaded	M8x15	1
81	TS-1550061	Flat Washer	8mm	1
82	S-75-1037	Knob		1
83	S-75-83	Adjustable Handle	M12x32	1
84	BG379-84	Hex Screw	M12x140	1
85-1	TS-1532052	Phillips Pan Head Machine Screw	M4x16	4
85-2	TS-1550021	Flat Washer	4mm	4
85-3	S-75-85-3	Bracket		1
85-4	TS-1533042	Phillips Pan Head Machine Screw	M5x12	2
85-5	TS-1550031	Flat Washer	5mm	2
85-6	S-75-85-6	Start Switch (for 1PH)		1

Index No.	Part No.	Description	Size	Qty
85-7	S-75-85-7	Stop Switch (for 1PH)		1
85-8	S-75-85-8	Emergency Switch (for 1PH)	SB	1
85-9	TS-2284302	Pan Head Machine Screw (for 1PH)	M4x30	4
85-10	TS-1550031	Flat Washer (for 1PH)	5mm	2
85-11	S-75-85-11	Electric Box Cover		1
85-12	S-75-85-12	Seal		1
85-13	S-75-85-13	Electric Box		1
85-14	S-75-85-14	Cable	4x1.5	2
85-15	TS-2284082	Phillips Pan Head Machine Screw	M4x8	2
85-16	S-75-85-16	Grounding Copper		1
85-17	S-75-85-17	A.C. Contactor (for 1PH)	KM	1
85-18	S-75-85-18	Thermal Relay (for 1PH)	FR	1
85-19	S-75-85-19	Transformer (for 1PH)		1
85-20	5712561	Phillips Pan Head Machine Screw	M5x8	2
85-21	S75-85-21	Board		1
85-22	S75-85-22	Cover Plate		1
85-23	S75-85-23	Strain Relief	M20x1.5	2
85-24	S75-85-24	Cable for A.C. Contactor	4x1.5	1
85-25	S75-85-25	A.C. Contactor (for 3PH)	KM	1
85-26	S75-85-26	Thermal Relay (for 3PH)	FR	1
85-27	S75-85-27	Cable for Thermal Relay	4x1.5	1
85-28	S75-85-28	Transformer (for 3PH)	1.5/0.75	1
86	S-75-040	Safety Guard		1
87	TS-1540021	Hex Nut	M4	3
88	TS-1532042	Phillips Pan Head Machine Screw	M4x12	3
89	TS-1532042	Phillips Pan Head Machine Screw	M4x12	3
90	S-75-90	Hinge		1
91	S-75-91	Hose Clamp		4
92	TS-2285352	Phillips Pan Head Machine Screw	M5x35	4
93	TS-1540031	Hex Nut	M5	4
	JETLOGO-1	Jet Logo Plate (not shown)	2-3/4" x 8"	1
	STRIPE-1-3/4	JET Stripe (not shown)	1-3/4" w	per ft.
	BG379-WL	Warning Label (not shown)	2-3/4" x 5"	1

13.1 Electrical Connections – single phase only



13.2 Electrical Connections – 3 phase only



WALTER MEIER (Manufacturing) Inc.

427 New Sanford Road
LaVergne, Tennessee 37086
Phone: 800-274-6848
www.waltermeier.com