



Operating Instructions and Parts Manual Horizontal-Vertical Band Saw

Models HVBS-712, HVBS-712D

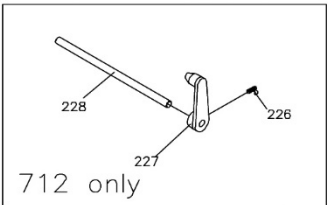
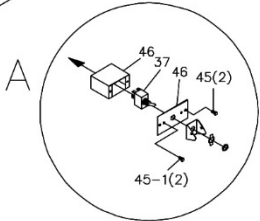
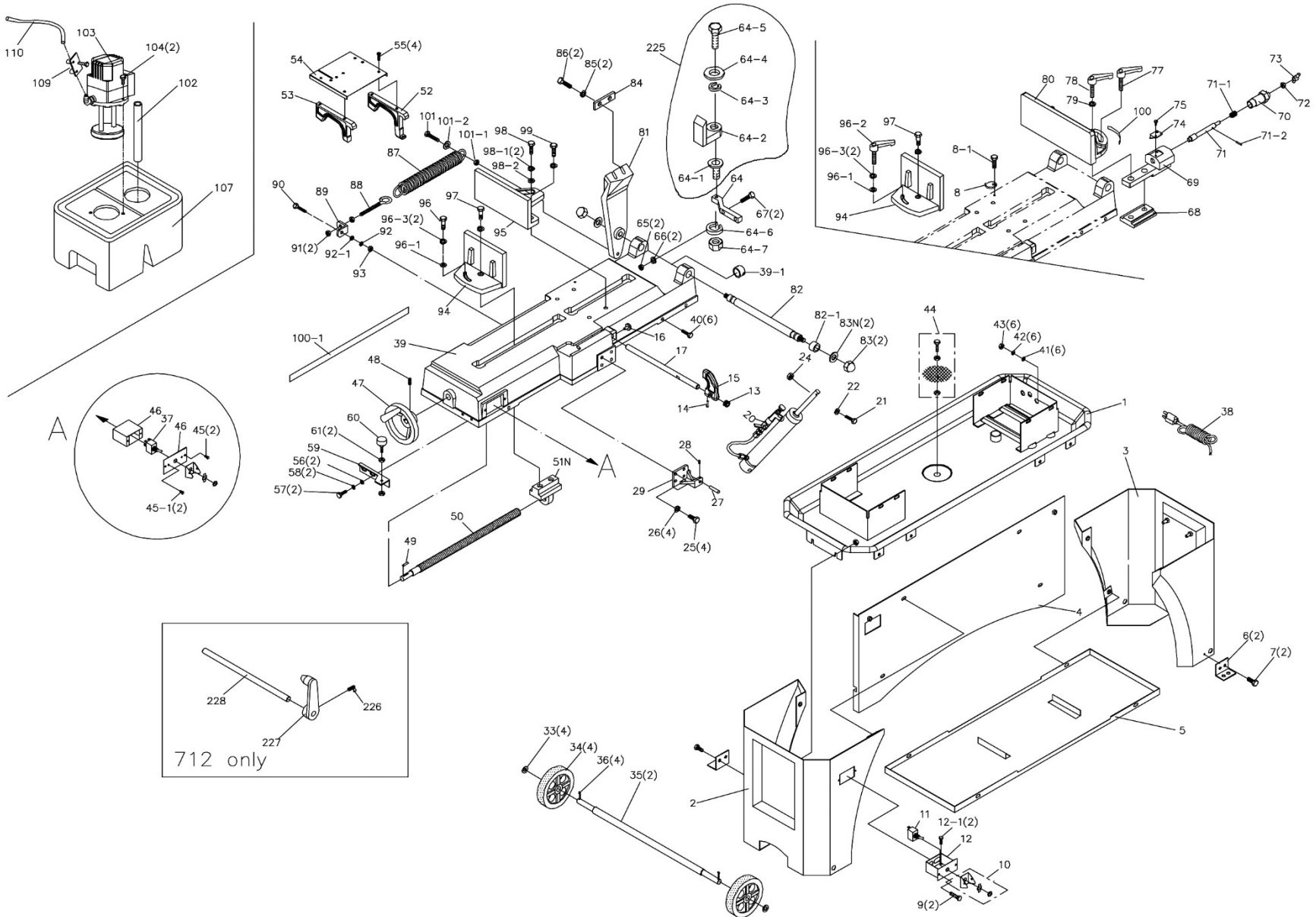


HVBS-712D Deluxe model shown

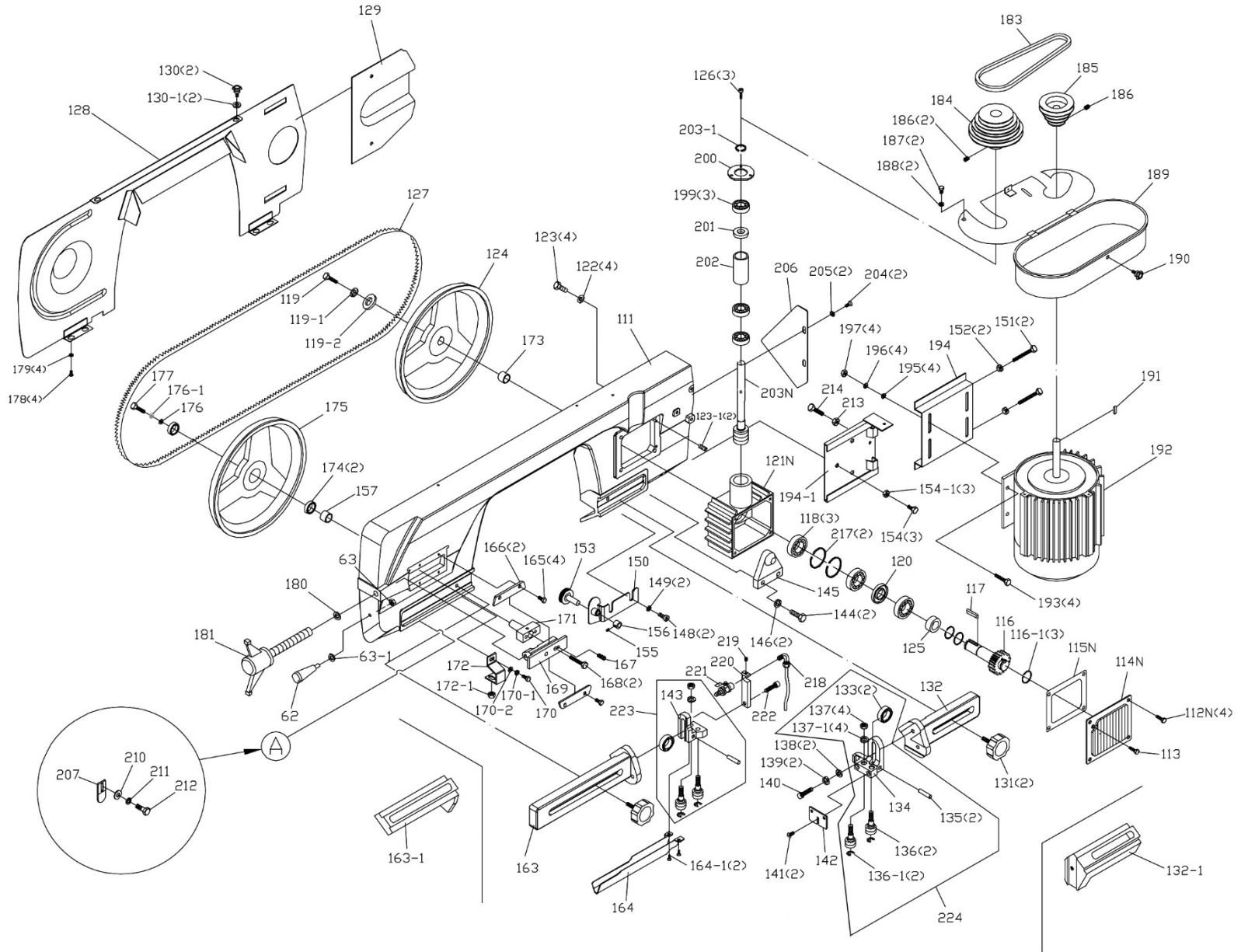
JET
427 New Sanford Road
LaVergne, Tennessee 37086
Ph.: 800-274-6848
www.jettools.com

Part No. M-414559
Edition 5 09/2018
Copyright © 2015 JET

12.1.1 HVBS-712/712D Bed and Stand Assembly – Exploded View



12.1.2 HVBS-712/712D Bow Assembly – Exploded View



12.1.3 HVBS-712/712D – Parts List

| Index No | Part No | Description | Size | Qty |
|----------|--------------|---|--------------|-----|
| | HVBS712-SA | Stand Assembly (includes #1 thru 5) | | 1 |
| 1 | HVBS712-01 | Water Tray | | 1 |
| 2 | HVBS712-02 | Stand – Left | | 1 |
| 3 | HVBS712-03 | Stand – Right | | 1 |
| 4 | HVBS712-04 | Front Plate | | 1 |
| 5 | HVBS712-05 | Pump Support Plate | | 1 |
| 6 | HVBS712-06 | Shipping Brace | | 2 |
| 7 | TS-0051011 | Hex Cap Screw | 5/16" x 1/2" | 2 |
| 8 | HVBS712-08 | 90-Degree Plate | | 1 |
| 8-1 | TS-081F032 | Phillips Pan Head Machine Screw | 1/4" x 1/2" | 1 |
| 9 | 6293226 | Phillips Pan Head Machine Screw | 3/16" x 3/8" | 2 |
| 10 | HVBS712-10 | Switch Guard Kit | | 1 |
| 11 | HVBS712-11 | Toggle Switch | | 1 |
| | HVBS712-11A | Toggle Switch with Guard Assembly (includes #10,11) | | 1 |
| 12 | HVBS712-12 | Electrical Box | | 1 |
| 12-1 | 5711571 | Phillips Pan Head Machine Screw | 3/16"x1/4" | 2 |
| 13 | HVBS712-13 | Threaded Collar (712D only) | | 1 |
| 14 | HVBS712-14 | Plastic Knob (712D only) | 1/4" x 1/2" | 1 |
| 15 | HVBS712-15 | Work Stop (712D only) | | 1 |
| 16 | HVBS712-16 | Knob | 1/4" x 1/2" | 1 |
| 17 | HVBS712-17 | Work Stop Rod (712D only) | | 1 |
| 20 | HVBS712-18 | Hydraulic Cylinder Assembly | | 1 |
| 21 | TS-1505061 | Socket Head Cap screw | M10x40 | 1 |
| 22 | TS-1550071 | Flat Washer | M10 | 1 |
| 24 | TS-1540071 | Hex Nut | M10 | 1 |
| 25 | TS-0060051 | Hex Cap Screw | 3/8" x 1" | 4 |
| 26 | TS-0720091 | Lock Washer | 3/8" | 4 |
| 27 | HVBS712-27 | Cylinder Support Shaft | | 1 |
| 28 | TS-0267041 | Set Screw | 1/4" x 3/8" | 1 |
| 29 | HVBS712-29 | Lower Cylinder Support | | 1 |
| 33 | TS-0680081 | Flat Washer * | 5/8" | 4 |
| 34 | 5518229N | Wheel | 8" | 4 |
| 35 | HVBS712-35 | Wheel Shaft | | 2 |
| 36 | 5518231N | Cotter Pin * | | 4 |
| 37 | HVBS7MW-31AN | Toggle Switch with Guard Assembly | | 1 |
| 38 | HVBS7MW-26 | Power Cord | 18AWGx3C | 1 |
| | HVBS7MW-26-1 | Power Cord for Motor (not shown) | | 1 |
| | HVBS7MW-26-2 | Power Cord for Pump (not shown) | | 1 |
| 39 | HVBS712-39 | Bed | | 1 |
| 39-1 | HVBS712-39-1 | Strain Relief | MG16A-10B | 1 |
| 40 | TS-0051051 | Hex Cap Screw | 5/16 "x 1" | 6 |
| 41 | TS-0680031 | Flat Washer | 5/16" | 5 |
| 42 | TS-0720081 | Lock Washer | 5/16" | 5 |
| 43 | TS-0561021 | Hex Nut | 5/16" | 5 |
| 44 | HVBS7MW-29 | Filter Assembly | | 1 |
| 45 | HVBS7MW-30 | Pan Head Cross Screw | 3/16" x 3/8" | 2 |
| 45-1 | 5711571 | Phillips Pan Head Machine Screw | 3/16"x1/4" | 2 |
| 46 | HVBS712-46 | Main Switch Box | | 1 |
| 47 | HVBS712-47 | Handwheel | | 1 |
| 48 | TS-0270031 | Set Screw | 5/16" x 3/8" | 1 |
| 49 | HVBS712-49 | Round Key | 5x20 | 1 |
| 50 | HVBS712-50 | Lead Screw | | 1 |
| 51N | HVBS7MW-35 | Nut Seat | | 1 |
| 52 | HVBS712-52 | Support B (712D only) | | 1 |
| 53 | HVBS712-53 | Support A (712D only) | | 1 |
| 54 | HVBS712-54 | Table Plate | | 1 |
| 55 | F010696 | Socket Head Flat Screw * | 1/4" x 3/8" | 4 |
| 56 | TS-0680031 | Flat Washer | 5/16" | 2 |
| 57 | TS-0051031 | Hex Cap Screw | 5/16" x 5/8" | 2 |
| 58 | TS-0720081 | Lock Washer | 5/16" | 2 |

| Index No | Part No | Description | Size | Qty |
|----------|---------------|------------------------------|---------------|-----|
| 59 | HVBS7MW-37 | Support Plate | | 1 |
| 60 | HVBS7MW-38 | Stop Screw | | 1 |
| 61 | TS-0561021 | Hex Nut | 5/16" | 2 |
| 62 | HVBS712-62 | Plastic Knob | M12 | 1 |
| 63 | TS-1540081 | Hex Nut | M12 | 1 |
| 63-1 | TS-2360121 | Flat Washer | M12 | 2 |
| 64 | HVBS7MW-41 | 90 degree Support | | 1 |
| 64-1 | HVBS7MW-151 | Support Screw | | 1 |
| 64-2 | HVBS7MW-152 | Bracket | | 1 |
| 64-3 | HVBS7MW-153 | Spring | | 1 |
| 64-4 | HVBS7MW-154 | Spring Cap | | 1 |
| 64-5 | HVBS7MW-155 | Socket Head Cap Screw | 3/16" x 1/2" | 1 |
| 64-6 | TS-0720091 | Lock Washer | 3/8" | 1 |
| 64-7 | TS-0561031 | Hex Nut | 3/8" | 1 |
| 65 | TS-0561031 | Hex Nut | 3/8" | 2 |
| 66 | TS-0720091 | Lock Washer | 3/8" | 2 |
| 67 | TS-0060071 | Hex Cap Screw | 3/8" x 1-1/2" | 2 |
| 68 | HVBS712-68 | T- Block | | 1 |
| 69 | HVBS712-69 | Miter Vise Support Bracket | | 1 |
| 70 | HVBS712-70 | Angle Lock Screw | | 1 |
| 71 | HVBS712-71 | Locking Pin | | 1 |
| 71-1 | HVBS712-71-1 | Spring | | 1 |
| 71-2 | JNS7033-33 | Roll Pin | Ø3x25L | 1 |
| 72 | TS-0561011 | Hex Nut | 1/4" | 1 |
| 73 | HVBS712-73 | Plastic Knob | 1/4" | 1 |
| 74 | HVBS712-74 | Indicator | | 1 |
| 75 | HVBS710S-175 | Round Cross Screw | 3/16" X 1/4" | 2 |
| 77 | HVBS712-77 | Quick Handle | 1/2" x 1-1/2" | 1 |
| 78 | HVBS712-78 | Quick Handle | 1/2" x 2-1/2" | 1 |
| 79 | TS-0680061 | Flat Washer | 1/2" | 1 |
| 80 | HVBS712-80 | Vise Jaw, Right (712D only) | Deluxe model | 1 |
| 81 | HVBS712-81 | Pivot Arm | | 1 |
| 82 | HVBS712-82 | Support Shaft | Ø22 | 1 |
| 82-1 | HVBS712-82-1 | Spacer | | 1 |
| 83 | HVBS712-83 | Locking Nut | 1/2" | 2 |
| 83N | TS-0680061 | Flat Washer | 1/2" | 2 |
| 84 | HVBS7MW-60 | Arm Support Plate | | 1 |
| 85 | TS-0720091 | Lock Washer | 3/8" | 2 |
| 86 | TS-0060071 | Hex Cap Screw | 3/8" x 1-1/2" | 2 |
| 87 | HVBS712-87 | Extension Spring | | 1 |
| 88 | HVBS712-88 | Eye Bolt | | 1 |
| 89 | HVBS712-89 | Spring Bracket | | 1 |
| 90 | TS-0051051 | Hex Cap Screw | 5/16" x 1" | 2 |
| 91 | TS-0561031 | Hex Nut | 3/8" | 2 |
| 92 | TS-0720081 | Lock Washer | 5/16" | 1 |
| 92-1 | TS-0680031 | Flat Washer | 5/16" | 1 |
| 93 | TS-0561021 | Hex Nut | 5/16" | 1 |
| 94 | HVBS712-94 | Vise Jaw – Left (712 & 712D) | Deluxe Model | 1 |
| 95 | HVBS7MW-58 | Vise Jaw – Right (712 only) | Base Model | 1 |
| 96 | TS-0060071 | Hex Cap Screw | 3/8 x 1-1/2" | 1 |
| 96-1 | TS-0680041 | Flat Washer | 3/8" | 2 |
| 96-2 | HVBS712-96-2 | Quick Handle | 3/8" x 1-1/2" | 1 |
| 96-3 | TS-0720091 | Lock Washer | 3/8" | 2 |
| 97 | TS-0060071 | Hex Cap Screw (712 only) | 3/8" x 1-1/2" | 1 |
| 98 | TS-0070031 | Hex Cap Screw | 1/2" x 1-1/2" | 1 |
| 98-1 | TS-0720111 | Lock Washer | 1/2" | 2 |
| 98-2 | TS-0680061 | Flat Washer | 1/2" | 1 |
| 99 | TS-0100041 | Hex Cap Screw | 1/2" x 1-1/4" | 1 |
| 100 | HVBS712-100 | Scale (712D only) | Deluxe Model | 1 |
| 100-1 | HVBS712-100-1 | Scale (712 only) | Base Model | 1 |
| 101 | TS-0209081 | Socket Head Cap Screw | 3/8" x 1-3/4" | 1 |
| 101-1 | TS-0561031 | Nut | 3/8" | 1 |

| Index No | Part No | Description | Size | Qty |
|----------|--------------|--|---------------------|-----|
| 101-2 | TS-0680041 | Flat Washer | 3/8" | 1 |
| 102 | HVBS712-102W | Hose | 1" | 1 |
| 103 | HVBS712-103W | Coolant Pump | 1/8HP 115/230V | 1 |
| 104 | TS-0050031 | Hex Cap Screw | 1/4" x 3/4" | 4 |
| 107 | HVBS712-107N | Coolant Tank | | 1 |
| 109 | HVBS7MW-68 | Hose Clamp | 13mm | 1 |
| 110 | HVBS712-110W | Hose | 5/16" | 1 |
| 111 | HVBS712-111W | Bow | | 1 |
| 112N | HVBS712-112N | Hex Cross Head Bolt | 1/4" X1/2" | 4 |
| 113 | HVBS7MW-71 | Vent Plug | | 1 |
| 114N | HVBS7MW-72G | Gear Box Cover | | 1 |
| 115N | HVBS7MW-73 | Gear Box Gasket | | 1 |
| 116 | HVBS712-116N | Worm Gear | | 1 |
| 116-1 | HBS916W-49 | C-Ring | S25 | 1 |
| 117 | HVBS7MW-142 | Key | 6x6x20 | 1 |
| 118 | BB-6005Z | Ball Bearing | 6005 | 3 |
| 119 | TS-0060051 | Hex Cap Screw | 3/8" x 1" | 1 |
| 119-1 | TS-0720091 | Lock Washer | 3/8" | 1 |
| 119-2 | HVBS7MW-145 | Flat Washer | 3/8"x35x4 | 1 |
| 120 | HVBS7MW-78 | Oil Seal | 25. 47. 7 | 1 |
| 121N | HVBS7MW-79G | Gear Box | | 1 |
| 122 | TS-0720081 | Lock Washer | 5/16" | 4 |
| 123 | TS-0081051 | Hex Cap Screw | 5/16" x 1-1/4" | 4 |
| 123-1 | TS-0207072 | Socket Head Cap Screw | 1/4" X 1/4" | 2 |
| 124 | HVBS7MW-80N | Blade Drive Wheel | | 1 |
| 125 | HVBS7MW-81 | Worm Bushing | | 1 |
| 126 | TS-0206021 | Socket Head Cap Screw | 3/16" x 3/8" | 3 |
| 127 | 414304 | Bi-Metal Blade | 3/4x0.035x93 6/10VT | 1 |
| 128 | HVBS712-128W | Rear Guard | | 1 |
| 129 | HVBS7MW-83 | Wheel Cover | | 1 |
| 130 | HVBS7MW-85 | Plum Screw | | 2 |
| 130-1 | TS-0680021 | Flat Washer | 1/4" | 2 |
| 131 | HVBS7MW-86 | Lock Knob | | 2 |
| 132 | HVBS712D-132 | Adjustable Bracket – Right (712D only) | Deluxe Model | 1 |
| 132-1 | HVBS7MW-87 | Adjustable Bracket – Right (712 only) | Base Model | 2 |
| 133 | BB-608ZZ | Ball Bearing | 608ZZ | 2 |
| 134 | HVBS712-134W | Adjustable Blade Seat – Right | | 1 |
| 135 | HVBS7MW-90 | Bearing Pin | | 2 |
| 136 | HVBS7MW-91 | Eccentric Shaft Assembly (outside) | | 2 |
| 136-1 | HVBS7MW-91A | Center Shaft Assembly (inside) | | 2 |
| 137 | TS-0561031 | Hex Nut | 3/8" x 24UNF | 4 |
| 137-1 | TS-0720091 | Lock Washer | 3/8" | 4 |
| 138 | TS-0680031 | Flat Washer | 5/16" | 2 |
| 139 | TS-0720081 | Lock Washer | 5/16" | 2 |
| 140 | HVBS712-140W | Hex Socket Cap Screw | 5/16" x 1-1/8" | 1 |
| 141 | HVBS712-141W | Flat Pan Head Screw | 1/4" X 3/8" | 2 |
| 142 | HVBS712-142 | Deflector Plate | | 1 |
| 143 | HVBS712-143W | Adjustable Blade Seat – Left | | 1 |
| 144 | TS-0060031 | Hex Cap Screw | 3/8" X 3/4" | 2 |
| 145 | HVBS712-145N | Upper Cylinder Support | | 1 |
| 146 | TS-0720091 | Lock Washer | 3/8" | 2 |
| 148 | TS-0813032 | Round Head Screw | 1/4" x 1/2" | 2 |
| 149 | TS-0680021 | Flat Washer | 1/4" | 2 |
| 150 | HVBS712-150N | Brush Holder | | 1 |
| 151 | TS-0051071 | Hex Cap Screw | 5/16" X 1-1/2" | 2 |
| 152 | TS-0561021 | Nut | 5/16" | 2 |
| 153 | HVBS7MW-100 | Wire Brush | | 1 |
| 154 | TS-0051021 | Hex Cap Screw | 5/16" x 5/8" | 3 |
| 154-1 | TS-0720081 | Lock Washer | 5/16" | 3 |
| 155 | TS-0267021 | Set Screw | 1/4" | 1 |
| 156 | HVBS7MW-109 | Brush Support | | 1 |
| 157 | HVBS712-157W | Bearing Bushing – Left | | 1 |

| Index No | Part No | Description | Size | Qty |
|----------|---------------|---|----------------|-----|
| 163 | HVBS712D-163 | Adjustable Bracket – Left (712D only) | Deluxe Model | 1 |
| 163-1 | HVBS712-163-1 | Adjustable Bracket – Left (712 only) | Base model | 1 |
| 164 | HVBS712-164W | Blade Guard | | 1 |
| 164-1 | HVBS712-164-1 | Round Head Screw | 3/16" x 1/4" | 2 |
| 165 | TS-0050011 | Hex Cap Screw | 1/4" x 1/2" | 4 |
| 166 | HVBS7MW-111 | Guide Plate | | 2 |
| 167 | TS-0270071 | Set Screw | 5/16" x 3/4" | 1 |
| 168 | TS-0051071 | Hex Cap Screw | 5/16" x 1-1/2" | 2 |
| 169 | HVBS712-169W | Blade Tension Block | | 1 |
| 170 | TS-0050011 | Hex Cap Screw | 1/4" x 1/2" | 1 |
| 170-1 | TS-0720071 | Lock Washer | 1/4" | 1 |
| 170-2 | TS-0680021 | Flat Washer | 1/4" | 1 |
| 171 | HVBS712-171 | Sliding Draw Block | | 1 |
| 172 | HVBS7MW-164 | Shipping Bracket (for shipping purposes only) | | 1 |
| 172-1 | TS-0561021 | Nut | 5/16" | 1 |
| 173 | HVBS712-173W | Bearing Bushing – Right | | 1 |
| 174 | BB-6203ZZ | Ball Bearing | 6203ZZ | 2 |
| 175 | HVBS7MW-119 | Blade Idler Wheel | | 1 |
| 176 | TS-0680031 | Flat Washer | 5/16" | 1 |
| 176-1 | TS-0720081 | Lock Washer | 5/16" | 1 |
| 177 | TS-0081031 | Hex Cap Screw | 5/16" x 3/4" | 1 |
| 178 | TS-081F031 | Round Head Screw | 1/4" x 1/2" | 2 |
| 179 | TS-0680021 | Flat Washer | 1/4" | 2 |
| 180 | TS-0680041 | Flat Washer | 3/8" | 1 |
| 181 | HVBS712-181W | Blade Tension Handle | | 1 |
| 183 | VB-3V270 | V-Belt | 3V270 | 1 |
| 184 | HVBS7MW-123 | Worm Pulley | | 1 |
| 185 | HVBS7MW-124 | Motor Pulley | | 1 |
| 186 | TS-0267041 | Set Screw | 1/4" X 3/8" | 3 |
| 187 | HVBS7MW-125 | Hex Cap Screw * | 1/4" X 1/2" | 2 |
| 188 | TS-0680021 | Flat Washer * | 1/4" | 2 |
| 189 | HVBS7MW-126 | Pulley Cover | | 1 |
| 190 | HVBS7MW-127 | Lock Screw * | | 1 |
| 191 | HVBS7MW-141 | Key | 5x5x20 | 1 |
| 192 | HVBS7MW-129 | Motor | 3/4HP 1PH | 1 |
| | HVBS7MW-129A | Motor Fan (not shown) | | 1 |
| | HVBS7MW-129B | Motor Fan Cover (not shown) | | 1 |
| | HVBS7MW-129C | Capacitor Cover (not shown) | | 1 |
| | HVBS7MW-JBC | Junction Box Cover (not shown) | | 1 |
| | HVBS7MW-129SC | Start Capacitor (not shown) | 300MFD 125VAC | 1 |
| 193 | TS-0081051 | Hex Cap Screw | 5/16" x 1" | 4 |
| 194 | HVBS7MW-130G | Motor Mount Plate (upper) | | 1 |
| 194-1 | HVBS7MW-138G | Motor Support Plate (bottom) | | 1 |
| 195 | TS-0680031 | Flat Washer | 5/16" | 4 |
| 196 | TS-0720081 | Lock Washer | 5/16" | 4 |
| 197 | TS-0561021 | Hex Nut | 5/16" | 4 |
| 199 | BB-6003Z | Ball Bearing | 6003 | 3 |
| 200 | HVBS7MW-162 | Block Plate | | 1 |
| 201 | HVBS7MW-134 | Oil Seal | 17 x 35 x 7 | 1 |
| 202 | HVBS7MW-135 | Bearing Bushing | | 1 |
| 203N | HVBS712-203N | Worm Shaft | | 1 |
| 203-1 | HVBS7MW-131 | C-Ring | S17 | 1 |
| 204 | TS-0050021 | Hex Cap Screw | 1/4" X 5/8" | 2 |
| 205 | TS-0680021 | Flat Washer | 1/4" | 2 |
| 206 | HVBS7MW-137 | Rubber Flap | | 1 |
| 207 | HVBS7MW-116 | Switch Cut-Off | | 1 |
| 210 | TS-0680021 | Flat Washer | 1/4" | 1 |
| 211 | TS-0720071 | Lock Washer | 1/4" | 1 |
| 212 | TS-0050011 | Hex Cap Screw | 1/4" x 1/2" | 1 |
| 213 | TS-0561021 | Hex Nut | 5/16" | 1 |
| 214 | TS-0051071 | Hex Cap Screw | 5/16" X 1-1/2" | 1 |
| 217 | HVBS7MW-77 | C-Ring | R47 | 2 |

| Index No | Part No | Description | Size | Qty |
|----------|--------------|--|----------------|-----|
| 218 | HVBS7MW-101 | Nozzle Cock | | 1 |
| 219 | TS-0267021 | Set Screw | 1/4"x1/4" | 3 |
| 220 | HVBS7MW-103 | Nozzle Cock Support | | 1 |
| 221 | HVBS7MW-104 | Valve | | 1 |
| 222 | HVBS710S-166 | Hex Socket Cap Screw | 5/16" X 1-1/8" | 2 |
| 223 | HVBS712-218W | Left Blade Guide Assembly | | 1 |
| 224 | HVBS712-219W | Right Blade Guide Assembly | | 1 |
| 225 | HVBS7MW-152A | Arm Stop Assembly CP (incl. #64-1 thru 64-5) | | 1 |
| 226 | HVBS7MW-44 | Thumb Screw (712 only) | Base model | 1 |
| 227 | HVBS7MW-45 | Stop Block (712 only) | Base model | 1 |
| 228 | HVBS7MW-46 | Stop Rod (712 only) | Base model | 1 |
| | JET-113 | JET Logo with 3M Adhesive (not shown) | 113 x 47mm | 1 |
| | LM000136 | ID Label HVBS-712 (not shown) | Base model | 1 |
| | LM000137 | ID Label HVBS-712D (not shown) | Deluxe model | 1 |
| | LM000138 | Motor Label (not shown) | | 1 |
| | HBS1018W-205 | Warning Label (not shown) | | 1 |
| | HVBS712-HP | Hardware Package (includes items with *) | | |