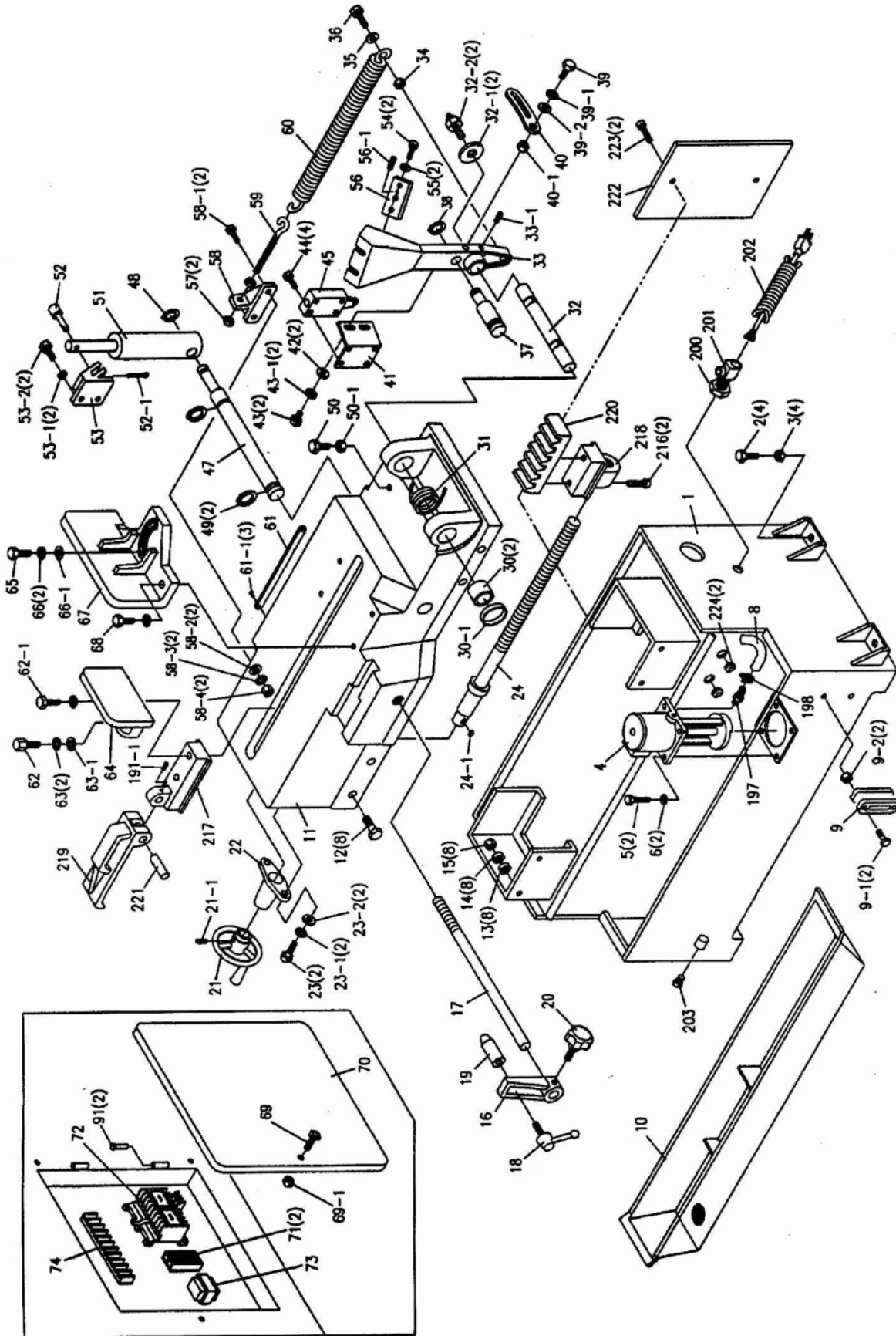
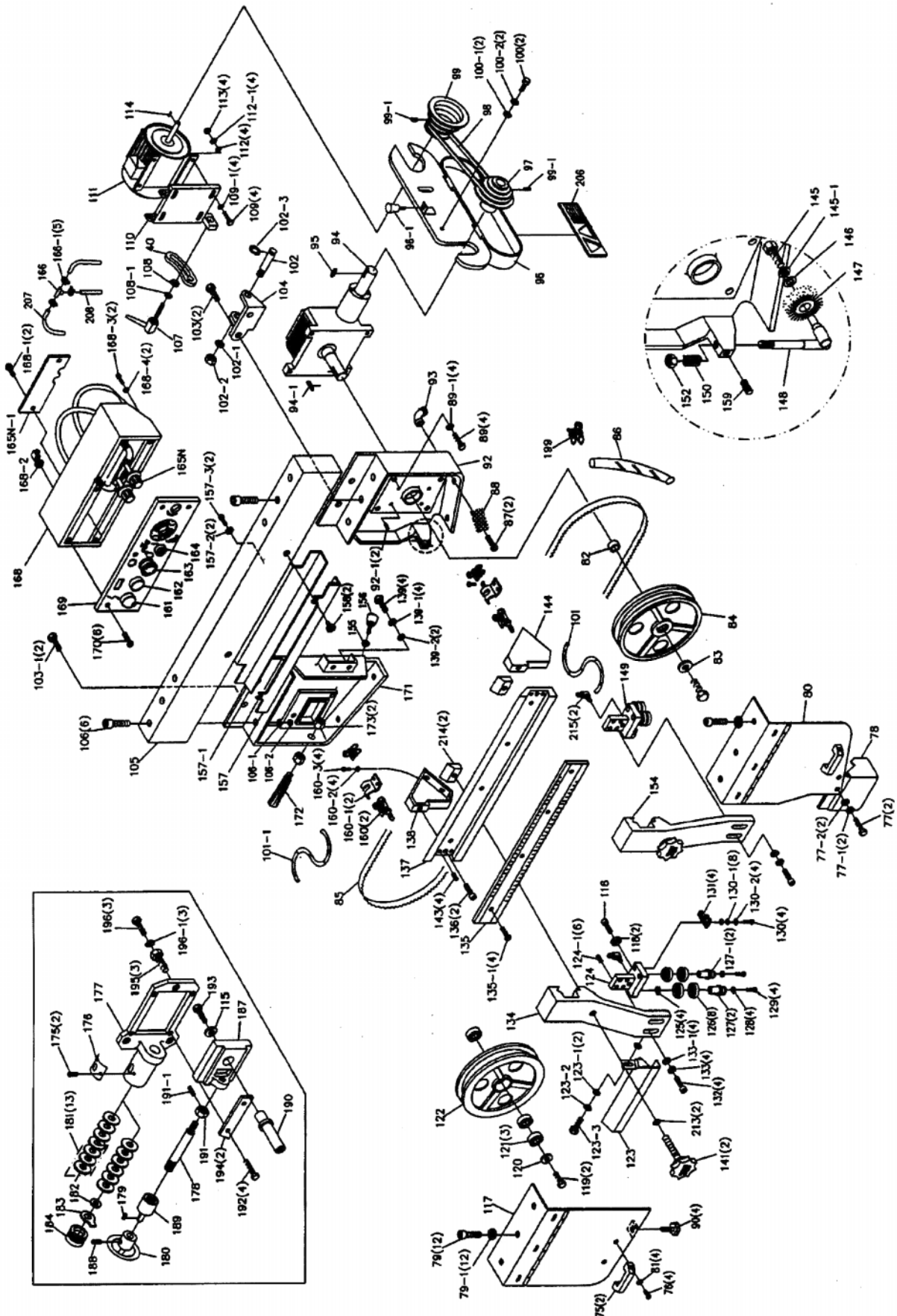


Base and Bed Assembly



Saw Arm Assembly – HBS-1018W



Parts List for HBS-916W, HBS-1018W

Index No.	Part No.	Description	Size	Qty
1	HBS916W-01	Base (S/N 8081108 and lower)		1
	HBS916W-01A	Base (S/N 8081109 and higher)		1
	HBS1018W-01	Base (S/N 808718 and lower)		1
	HBS1018W-01A	Base (S/N 808719 and higher)		1
2	TS-1492071	Hex Cap Bolt	M12x70	4
3	TS-1540081	Hex Nut	M12	4
4	HBS916W-CP	Coolant Pump		1
5	TS-1531051	Pan Head Screw	M6x16	2
6	TS-1551061	Lock Washer	M6	2
8	HBS916W-08	Hose		1
9	HBS916W-09	Coolant Gauge		1
9-1	TS-1491041	Hex Cap Bolt	M10X30	2
9-2	TS-1540071	Hex Nut	M10	2
10	HBS916W-10	Chip Tray		1
	HBS1018W-10	Chip Tray		1
11	HBS916W-11	Bed (S/N 8081108 and lower)		1
	HBS916W-11A	Bed (S/N 8081109 and higher)		1
	HBS1018W-11	Bed (S/N 808718 and lower)		1
	HBS1018W-11A	Bed (S/N 808719 and higher)		1
12	TS-1490051	Hex Cap Bolt	M8x30	8
13	TS-1550061	Washer	8mm	8
14	TS-1551081	Lock Washer	8mm	8
15	TS-1540061	Hex Nut	M8	8
16	HBS916W-16	Stop Bracket		1
17	HBS916W-17	Stop Rod		1
18	HBS916W-18	Lock Handle		1
19	HBS916W-19	Work Stop		1
20	HBS916W-20	Lock Knob		1
21	HBS916W-21	Hand Wheel Assembly		1
	HBS1018W-21	Hand Wheel Assembly		1
21	HBS916W-21-1	Set Screw	5/16" x 8"	1
22	HBS916W-22	Lead Screw Seat		1
	HBS1018W-22	Lead Screw Seat		1
23	TS-1490051	Hex Cap Bolt	M8x30	2
23-1	TS-1551061	Lock Washer	8mm	2
23-2	TS-1550061	Washer	8mm	2
24	HBS916W-24	Lead Screw (S/N 8081108 and lower)		1
	HBS916W-24A	Lead Screw (S/N 8081109 and higher)		1
	HBS1018W-24	Lead Screw (S/N 808718 and lower)		1
	HBS1018W-24A	Lead Screw (S/N 808719 and higher)		1
24-1	HBS916W-24-1	Key	5x5x20mm	1
30	HK-2516-2RS	Needle Bearing		2
30-1	HBS916-30-1	Bushing		1
31	HBS916W-31	Torsion Spring		1
	HBS1018W-31	Torsion Spring		1
32	HBS916W-32	Pivot Shaft		1
32-1	TS-1550041	Washer	12mm	2
32-2	HBS916W-32-2	Bolt w/ Zerk Fitting		2
33	HBS916W-33	Pivot Bracket		1
	HBS1018W-33	Pivot Bracket		1
33-1	TS-1525021	Set Screw	M10x12	1
34	TS-1540081	Nut	M12	1
35	TS-1550081	Washer	12mm	1
36	TS-1492041	Hex Cap Bolt	M12x40	1
37	HBS916W-37	Torsion Spring Shaft		1
38	HBS916W-38	C-Ring	S-22	1

Index No.	Part No.	Description	Size	Qty
39	TS-1490041	Hex Cap Bolt	M8x25	1
39-1	TS-1551081	Lock Washer	8mm	1
39-2	TS-1550061	Washer	8mm	1
40	HBS916W-40	Motor Tilt Plate		1
	HBS1018W-40	Motor Tilt Plate		1
40-1	TS-1540061	Hex Nut	M8	1
41	HBS916W-41	Limit Switch Plate		1
42	TS-1550061	Washer	8mm	2
43	TS-1490031	Hex Cap Bolt	M8x20	2
43-1	TS-1551061	Lock Washer	8mm	2
44	TS-1482021	Hex Cap Screw	M6x12	4
45	HBS916W-45	Limit Switch		1
47	HBS916W-47	Cylinder Pin		1
	HBS1018W-47A	Cylinder Pin		1
48	HBS916W-48	C-Ring	S-20	1
49	HBS916W-49	C-Ring	S-25	2
50	TS-1491041	Hex Cap Bolt	M10x30	1
50-1	TS-1540071	Hex Nut	M10	1
51	HBS916W-51	Hydraulic Cylinder Assembly		1
	HBS1018W-51	Hydraulic Cylinder Assembly		1
52	HBS916W-52	Cylinder Pin		1
52-1	HBS916W-52-1	Pin		1
53	HBS916W-53	Hydraulic Mounting Plate - Top		1
	HBS1018W-53	Hydraulic Mounting Plate - Top		1
53-1	TS-1551071	Lock Washer	10mm	2
53-2	TS-1491041	Hex Cap Bolt	M10x30	2
54	TS-1492051	Hex Cap Bolt	M12x50	2
55	TS-1550081	Washer	12mm	2
56	HBS916W-56	Plate		1
56-1	HBS916W-56-1	Pin	M5x45	1
57	TS-0561051	Hex Nut	1/2"	2
58	HBS916W-58	Spring Bracket		1
58-1	TS-1490051	Hex Cap Bolt	M8x30	2
58-2	TS-1550051	Washer	8mm	2
58-3	TS-1551061	Lock Washer	8mm	2
58-4	TS-1540061	Hex Nut	M8	2
59	HBS916W-59	Adjustable C-Bolt		1
60	HBS916W-60	Spring		1
	HBS1018W-60	Spring		1
61	HBS916W-61	Angle Scale		1
61-1	HBS916W-61-1	Rivet	M2x5	3
62	TS-1492041	Hex Cap Bolt	M12x40	1
62-1	TS-1492051	Hex Cap Bolt	M12x50	1
63	TS-1551081	Lock Washer	12mm	2
63-1	HBS916W-63-1	Special Washer	12mm	1
64	HBS916W-64	Vise Jaw - left		1
65	TS-1492051	Hex Cap Bolt	M12x50	1
66	TS-1551081	Lock Washer	12mm	1
66-1	HBS916W-63-1	Special Washer	12mm	1
67	HBS916W-67	Vise Jaw - right		1
68	TS-1492041	Hex Cap Bolt	M12x40	1
68-1	TS-1551081	Lock Washer	12mm	1
69	TS-1503011	Hex Socket Cap Bolt (S/N 8081108 and lower)	M6x8	4
	HBS916W-69A	Knob (S/N 8081109 and higher)	M6x30	1
69-1	HBS916W-69-1	Nut	M6	1
70	HBS916W-70	Electrical Panel Cover (S/N 8081108 and lower HBS-916W)		1
	HBS1018W-70	Electrical Panel Cover (S/N 808718 and lower HBS-1018W)		1

Index No.	Part No.	Description	Size	Qty
	HBS916W-70A	Electrical Panel Cover (S/N 8081109 and higher HBS-916W)		1
	HBS1018W-70A	Electrical Panel Cover (S/N 808719 and higher HBS-1018W)		1
71	HBS916W-71	Fuse Block		2
	HBS916W-71A	Fuse 3A		1
72	HBS916W-72B	Magnetic Switch		1
	HBS1018W-72	Magnetic Switch		1
	HBS916W-72-1	Contactora (main motor)		1
	HBS916W-72A-1	Overload Relay		1
	HBS916W-72A-2	Contactora (pump)		1
73	HBS916W-73A	Transformer		1
	HBS1018W-73	Transformer		1
74	HBS916W-74	Terminal Strip		1
75	HBS916W-75	Handle		2
76	TS-1534051	Pan Head Screw	M6x16	4
77	TS-1482021	Hex Cap Bolt	M6x12	2
77-1	TS-1551041	Lock Washer	M6	2
77-2	TS-1550041	Washer	M6	2
78	HBS916W-78	Wire Brush Guard		1
79	TS-1503011	Hex Socket Cap Screw	M6x8	12
	HBS1018W-79A	Adjustable Bracket Mount - rear (HBS-1018W only; not shown)		1
79-1	TS-1550051	Washer (HBS-1018 only)	M6	12
80	HBS916W-80	Blade Wheel Cover - right		1
	HBS1018W-80A	Blade Wheel Cover - right		1
81	TS-1550041	Washer	M6	4
82	HBS916W-82	Bushing		1
83	HBS916W-83	Washer		1
84	HBS916W-84	Drive Wheel		1
	HBS1018W-84A	Drive Wheel	14"	1
85		Blade (local purchase, HBS-916W)		1
		Blade (local purchase, HBS-1018W)		1
86	HBS916W-86	Hose		1
87	TS-1533031	Pan Head Screw	M5x10	2
88	HBS916W-88	Filter Screen		1
89	TS-1492031	Hex Cap Bolt	M12x35	4
89-1	TS-1551081	Lock Washer	M12	4
90	HBS916W-90	Lock Knob		4
91	HBS916W-91	Hinge Pin		2
92	HBS916W-92	Blade Wheel Box - right		1
	HBS1018W-92	Blade Wheel Box - right		1
92-1	TS-1525021	Set Screw	M10x12	2
93	HBS916W-93	Connector		1
	HBS1018W-93	Connector		1
94	HBS916W-94	Gear Box Assembly (can only order entire assembly)		1
	HBS1018W-94	Gear Box Assembly (can only order entire assembly)		1
94-1	HBS916W-94-1	Key	7x7x45MM	1
95	HBS916W-95	Key	7MM	1
96	HBS916W-96	Pulley Cover		1
	HBS1018W-96	Pulley Cover		1
96-1	HBS916W-96-1	Lock Knob		1
97	HBS916W-97	Gear Box Pulley		1
	HBS1018W-97	Gear Box Pulley		1
98	VB-A39	V-Belt (for HBS-916W)		1
	VB-A37	V-Belt (for HBS-1018W)		1
99	HBS916W-99	Motor Pulley		1
	HBS1018W-99	Motor Pulley		1
99-1	TS-1524021	Set Screw	M8x10	2
100	TS-1482031	Hex Cap Bolt	M8x16	2
100-1	TS-1550061	Washer	M8	2

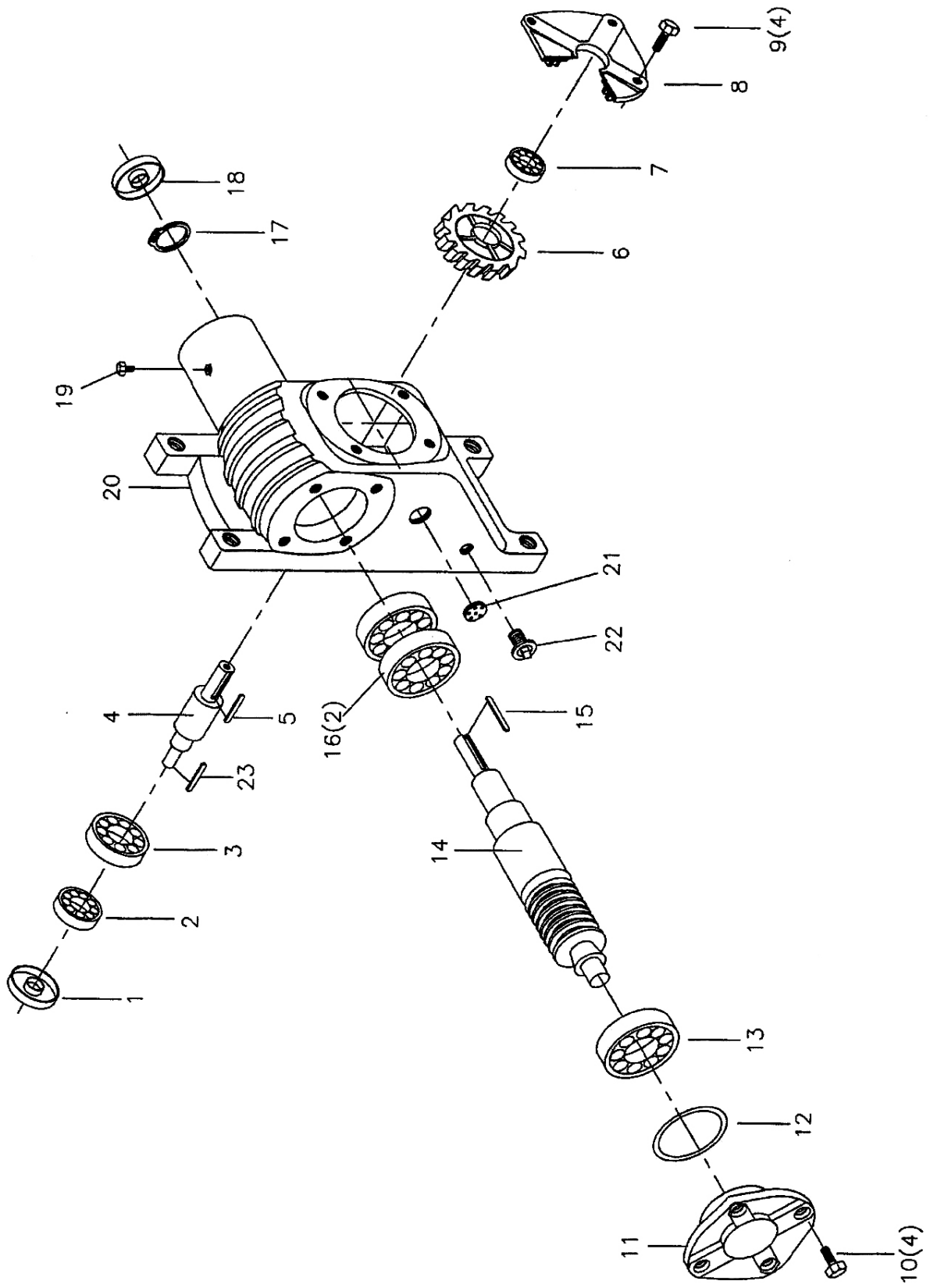
Index No.	Part No.	Description	Size	Qty
100-2	TS-1551061	Lock Washer	M8	2
101	HBS916W-101	Hose		1
101-1	HBS916W-101-1	Hose		1
102	HBS916W-102	Support Shaft		1
102-1	TS-1550081	Washer	M12	1
102-2	TS-1540081	Hex Nut	M12	1
102-3	HBS916W-102-3	C-Ring	S-19	1
103	TS-1492021	Hex Cap Bolt	M12x30	2
103-1	HBS916W-103-1	Hex Cap Bolt	M12x20	2
104	HBS916W-104	Motor Mount Bracket		1
105	HBS916W-105	Column		1
	HBS1018W-105	Column (S/N 606105 and lower)		1
	HBS1018W-105A	Column (S/N 606106 and higher)		1
106	TS-1506011	Hex Socket Cap Screw	M12x20	6
106-1	TS-1551081	Lock Washer	M12	1
106-2	TS-1540081	Washer	M12	1
107	HBS916W-107	Locking Handle		1
108	TS-1550061	Washer	8MM	1
108-1	TS-1551061	Lock Washer	M8	1
109	TS-1490081	Hex Cap Bolt	M8x45	4
109-1	TS-1550061	Washer	M8	4
110	HBS916W-110	Motor Mount Plate		1
111	HBS916W-111	Motor	1-1/2 HP, 1PH, 115/230V	1
	HBS1018W-111	Motor	2 HP, 1PH, 230V only	1
	HBS916W-600250	Capacitor (not shown)	400MFD, 125VAC	1
	HBS916W-111-2	Capacitor Cover (not shown)		1
	HBS1018W-111-1	Capacitor (not shown)	400MFD, 125VAC	1
	HBS1018W-111-2	Capacitor Cover (not shown)		1
112	TS-1550061	Washer	M8	4
112-1	TS-1551061	Lock Washer	M8	4
113	TS-1540061	Hex Nut	M8	4
114	HBS916W-114	Key	7MM	1
115	TS-1550081	Washer	M12	1
116	TS-1504041	Hex Socket Cap Screw	M8x20	1
116-1	HBS916W-116-1	Shaft (HBS-916W)		1
117	HBS916W-117	Blade Wheel Cover - left		1
	HBS1018W-117A	Blade Wheel Cover - left		1
118	BB-608VV	Ball Bearing		2
119	TS-1492011	Hex Cap Bolt	M12x25	2
120	TS-1550081	Washer	M12	1
121	BB-6205Z	Ball Bearing		3
122	HBS916W-122	Idler Wheel		1
	HBS1018W-122A	Idler Wheel		1
123	HBS916W-123	Blade Guard		1
	HBS1018W-123A	Blade Guard		1
123-1	TS-1550061	Washer	M8	2
123-2	TS-1551061	Lock Washer	M8	1
123-3	TS-1490021	Hex Cap Bolt	M8x16	1
124	HBS916W-124	Guide Bracket - left		1
	HBS916W-124A	Guide Bracket Assembly - left		1
	HBS1018W-124A	Guide Bracket Assembly - left		1
124-1	TS-1504031	Hex Socket Cap Screw (HBS-916W)	M8x16	3
	TS-1504031	Hex Socket Cap Screw (HBS-1018W)	M8x16	6
125	TS-1540061	Washer	M8	4
126	BB-6201VV	Ball Bearing		8
127	HBS916W-127	Eccentric Sleeve (outside)(HBS-916W)		2
	HBS1018W-127	Eccentric Sleeve (outside)(HBS-1018W)		2

Index No.	Part No.	Description	Size	Qty
127-1	HBS916W-127-1	Eccentric Sleeve (inside)(HBS-916W)		2
	HBS1018W-127-1	Eccentric Sleeve (inside)(HBS-1018W)		2
128	TS-1551061	Lock Washer	M8	4
129	TS-1504091	Hex Socket Cap Screw	M8x45	4
130	TS-1503071	Hex Socket Cap Screw	M6x30	4
130-1	TS-1550041	Washer	M6	8
130-2	TS-2361061	Lock Washer	M6	4
131	HBS916W-131	Blade Guide		4
132	TS-1504081	Hex Socket Cap Screw (HBS-916W)	M8x40	2
	TS-1504081	Hex Socket Cap Screw (HBS-1018W)	M8x40	4
133	TS-1551081	Lock Washer (HBS-916W)	M8	2
	TS-1551081	Lock Washer (HBS-1018W)	M8	4
133-1	TS-1550081	Washer (HBS-916W)	M8	2
	TS-1550081	Washer (HBS-1018W)	M8	4
134	HBS916W-134	Adjustable Bracket		1
	HBS1018W-134A	Adjustable Bracket		1
135	HBS916W-135	Scale (HBS-916W)		1
	HBS1018W-135	Dovetail Scale		1
135-1	HBS916W-135-1	Rivet (HBS-916W)	M2x5	4
	HBS1018W-135-1	Pan Head Screw (HBS-1018W)	M5x8	4
136	TS-1505031	Hex Socket Cap Screw	M10x25	2
137	HBS916W-137	Slide		1
	HBS1018W-137A	Slide		1
138	HBS916W-138	Blade Bracket - left		1
	HBS1018W-138	Blade Bracket - left		1
139	TS-1492021	Hex Cap Bolt	M12x30	4
139-1	TS-1551081	Lock Washer	M12	4
139-2	TS-1550081	Washer	M12	2
140	TS-1490041	Hex Cap Bolt (HBS-916W)	M8x25	2
140-1	TS-1551061	Lock Washer (HBS-916W)	M8	2
141	HBS916W-141	Knob		1
	HBS1018W-141	Knob		1
142	HBS916W-142	Plate		1
143	TS-1524021	Set Screw	M8x10	4
144	HBS916W-144	Blade Bracket - right		1
	HBS1018W-144	Blade Bracket - right		1
145	TS-1482011	Hex Cap Bolt	M6x10	1
145-1	TS-1551041	Lock Washer	M6	1
146	TS-1550041	Washer	M6	1
147	HBS916W-147	Wire Brush		1
	HBS1018W-147	Wire Brush		1
148	HBS916W-148	Wire Brush Rod		1
	HBS1018W-148	Wire Brush Rod		1
149	HBS916W-149	Guide Bracket - right		1
	HBS1018W-149	Guide Bracket - right		1
	HBS916W-149A	Guide Bracket Assembly - right		1
	HBS1018W-149A	Guide Bracket Assembly - right		1
150	HBS916W-150	Spring		1
	HBS1018W-150	Spring		1
152	TS-1540071	Hex Nut	M10	1
153	TS-1504091	Hex Socket Cap Screw (HBS-916W)	M8x45	2
153-1	HBS916W-153-1	Hex Socket Cap Screw (HBS-916W)	M8x55	1
153-2	TS-1551061	Lock Washer (HBS-916W)	M8	1
153-3	TS-1550051	Washer (HBS-1018W)	M8	1
154	HBS1018W-154A	Adjustable Bracket - right (HBS-1018W)		1
155	TS-1540081	Hex Nut	M12	1
156	TS-1492061	Hex Cap Bolt	M12x60	1

Index No.	Part No.	Description	Size	Qty
157	HBS916W-157	Blade Guard		1
	HBS1018W-157A	Blade Guard		1
157-1	HBS1018W-157-1	Blade Guard - down		1
157-2	TS-1482021	Hex Cap Bolt	M6x12	2
157-3	TS-1550041	Washer	M6	2
158	HBS916W-158	Lock Knob		2
159	TS-1523021	Set Screw (HBS-1018W)	M6x8	1
160	HBS916W-160	Adjusting Valve		2
160-1	HBS916W-160-1	Clamp		1
160-2	TS-1551041	Lock Washer	M6	4
160-3	TS-1482021	Hex Cap Bolt	M6x12	4
161	HBS916W-161A	Power Indicator Light		1
162	HBS916W-162	Start Switch		1
163	HBS916W-163	Stop Switch		1
164	HBS916W-164	Pump Switch		1
165N	HBS916W-165S	Feed Control - Hydraulic On/Off Valve (S/N 9111420 and lower; HBS-916W)		1
	HBS1018W-165S	Feed Control - Hydraulic On/Off Valve (S/N 911986 and lower; HBS-1018W)		1
	HBS916W-165S-K	Knob for On/Off Valve		1
	HBS916W-165S-1	Speed Control Valve (S/N 9111420 and lower; HBS-916W)		1
	HBS1018W-165S-1	Speed Control Valve (S/N 911986 and lower; HBS-1018W)		1
	HBS916W-165S-1-K	Knob for Speed Control Valve		1
	HBS916W-165N	Feed Control - Hydraulic On/Off Valve (S/N 9111421 and higher; HBS-916W)		1
	HBS1018W-165N	Feed Control - Hydraulic On/Off Valve (S/N 911987 and higher; HBS-1018W)		1
165N-1	HBS916W-165SP	Plate (S/N 9111420 and lower; HBS-916W)		1
	HBS1018W-165SP	Plate (S/N 911986 and lower; HBS-1018W)		1
	HBS916W-165N-1	Plate (S/N 9111421 and higher; HBS-916W)		1
	HBS1018W-165N-1	Plate (S/N 911987 and higher; HBS-1018W)		1
166	HBS916W-166	Connecting Tube		1
166-1	HBS916W-166-1	Hose Clamp		5
168	HBS916W-168	Control Box		1
168-1	HBS916W-168-1	Pan Head Screw	M5x10	2
168-2	HBS916W-168-2	Strain Relief		1
168-3	TS-1503031	Hex Socket Cap Screw	M6x12	2
168-4	TS-1550041	Washer	M6	2
169	HBS916W-169	Control Panel		1
170	TS-1533031	Pan Head Screw	M5x10	6
171	HBS916W-171	Wheel Box - left		1
	HBS1018W-171	Wheel Box - left		1
171-1	HBS916W-171-1	Block (HBS-916W)		1
171-2	TS-1551041	Lock Washer (HBS-916W)	M6	2
171-3	TS-1482031	Hex Cap Bolt (HBS-916W)	M6x16	2
172	HBS916W-172	Handle		1
173	TS-1540081	Hex Nut	M12	2
175	TS-1533031	Pan Head Screw	M5x10	2
176	HBS916W-176	Indicator Scale		1
177	HBS916W-177	Slide Bracket		1
178	HBS916W-178	Tension Shaft		1
179	HBS916W-179	Key	5MM	1
180	HBS916W-180	Handwheel		1
181	HBS916W-181	Lock Washer	M22	13
182	HBS916W-182	Flat Steel Washer		1
183	HBS916W-183	Tension Indicator		1
184	BB-51104	Thrust Bearing		1
187	HBS916W-187	Slide		1

Index No.	Part No.	Description	Size	Qty
188	TS-1524021	Set Screw	M8x10	1
189	HBS916W-189	Extension Bar		1
190	HBS916W-190	Wheel Shaft		1
191	HBS916W-191	Nut w/Hole For Set Screw	M14	1
191-1	TS-1523021	Set Screw	M6x8	1
192	TS-1504051	Hex Socket Cap Screw	M8x25	4
193	TS-1492011	Hex Socket Cap Screw	M12x25	1
194	HBS916W-194	Gib		2
195	HBS916W-195	Hex Cap Screw (re: HBS916W-196)		3
196	HBS916W-196	Screw Assembly		3
196-1	HBS916W-196-1	Lock Washer (re: HBS916W-196)		3
197	HBS916W-197	Hose Fitting		1
198	HBS916W-198	Hose Clamp		1
199	HBS916W-199	Hose Clamp		2
	HBS1018W-199	Hose Clamp		1
200	HBS916W-200	Nut		1
201	HBS916W-201	Strain Relief Fitting		1
202	HBS916W-202	Power Cord		1
203	HBS916W-203	Screw		1
204	HBS916W-204	Name Plate (not shown)		1
205	HBS916W-205	Warning Label (not shown)		1
	HBS1018W-205	Warning Label (not shown)		1
206	HBS916W-206	Speed Chart Label		1
207	HBS916W-207	Hose		1
208	HBS916W-208	Hose		1
213	TS-1550071	Washer	M10	2
214	HBS1018W-214	Clamp		2
215	HBS916W-215	Cu Connector		1
	HBS1018W-215	Cu Connector		2
215-1	HBS916W-215-1	Cu Connector (HBS-916W)		1
216	TS-1504051	Hex Socket Cap Screw	M8x25	2
217	HBS916W-217	Slide Bracket		1
218	HBS916W-218	Lead Screw Bracket		1
219	HBS916W-219	Rack Block		1
	HBS1018W-219	Rack Block		1
220	HBS916W-220	Rack		1
	HBS1018W-220	Rack		1
221	HBS916W-221	Pin		1
222	HBS916W-222	Plate		1
	HBS1018W-222	Plate		1
223	TS-1503011	Hex Socket Cap Screw	M6x8	2
224	HBS916W-224	Rubber Ring		2

Gear Speed Reducing Box Assembly



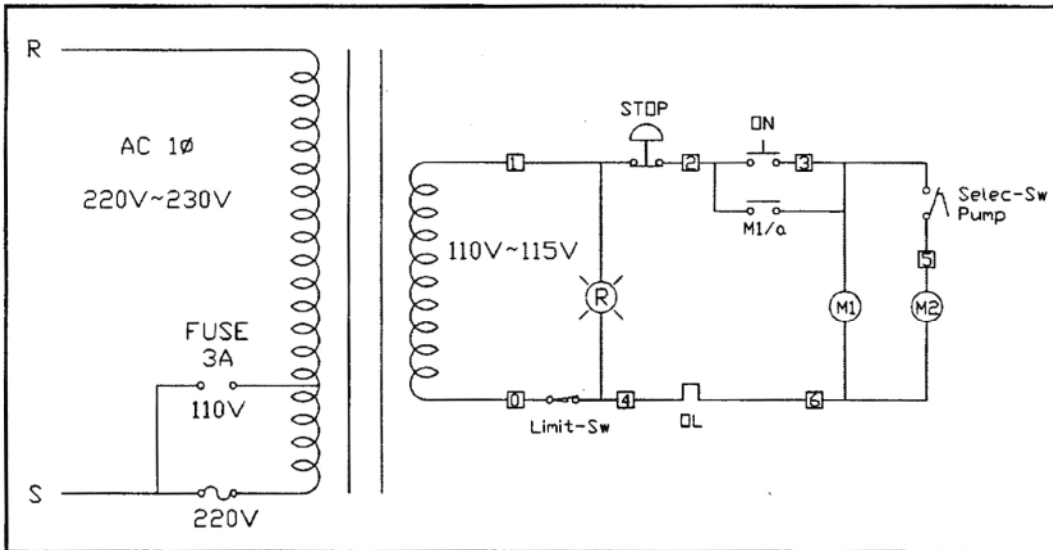
Parts List for Gear Speed Reducing Box Assembly

Index No.	Part No.	Description	Size	Qty
1	HBS916W-94-01	Oil Seal	35x55x8 mm	1
2	HBS916W-94-02	Bearing	30207	1
3	HBS916W-94-03	Bearing	6207	1
4	HBS916W-94-04	Shaft		1
5	HBS916W-94-05	Key	8x7x30 mm	1
6	HBS916W-94-06	Gear Wheel		1
7	HBS916W-94-07	Bearing	6206	1
8	HBS916W-94-08	Output Shaft Cover		1
9	HBS916W-94-09	Output Hex Cap Screw	M10x20	4
10	HBS916W-94-10	Input Hex Cap Screw	M8x20	4
11	HBS916W-94-11	Input Shaft Cover		1
12	HBS916W-94-12	Washer		1
13	HBS916W-94-13	Bearing	6025	1
	HBS916W-94-13N	Bearing	30205	1
14	HBS916W-94-14	Input Shaft		1
15	HBS916W-94-15	Key	7x7x60 mm	1
16	HBS916W-94-16	Bearing	6205	2
17	HBS916W-94-17	C-Ring	R52	1
18	HBS916W-94-18	Oil Seal	25x52x8 mm	1
19	HBS916W-94-19	Vent Bolt		1
20	HBS916W-94-20	Gear Box		1
21	HBS916W-94-21	Oil Lens		1
22	HBS916W-94-22	Draw Plug		1
23	HBS916W-94-23	Key	7x7x45 mm	1

Electrical Connections – HBS-1018W

1PH

Electrical Schematic for the HBS-1018W



Electrical Panel Layout

