



## Parts List for the JET HBS-1321W Bandsaw

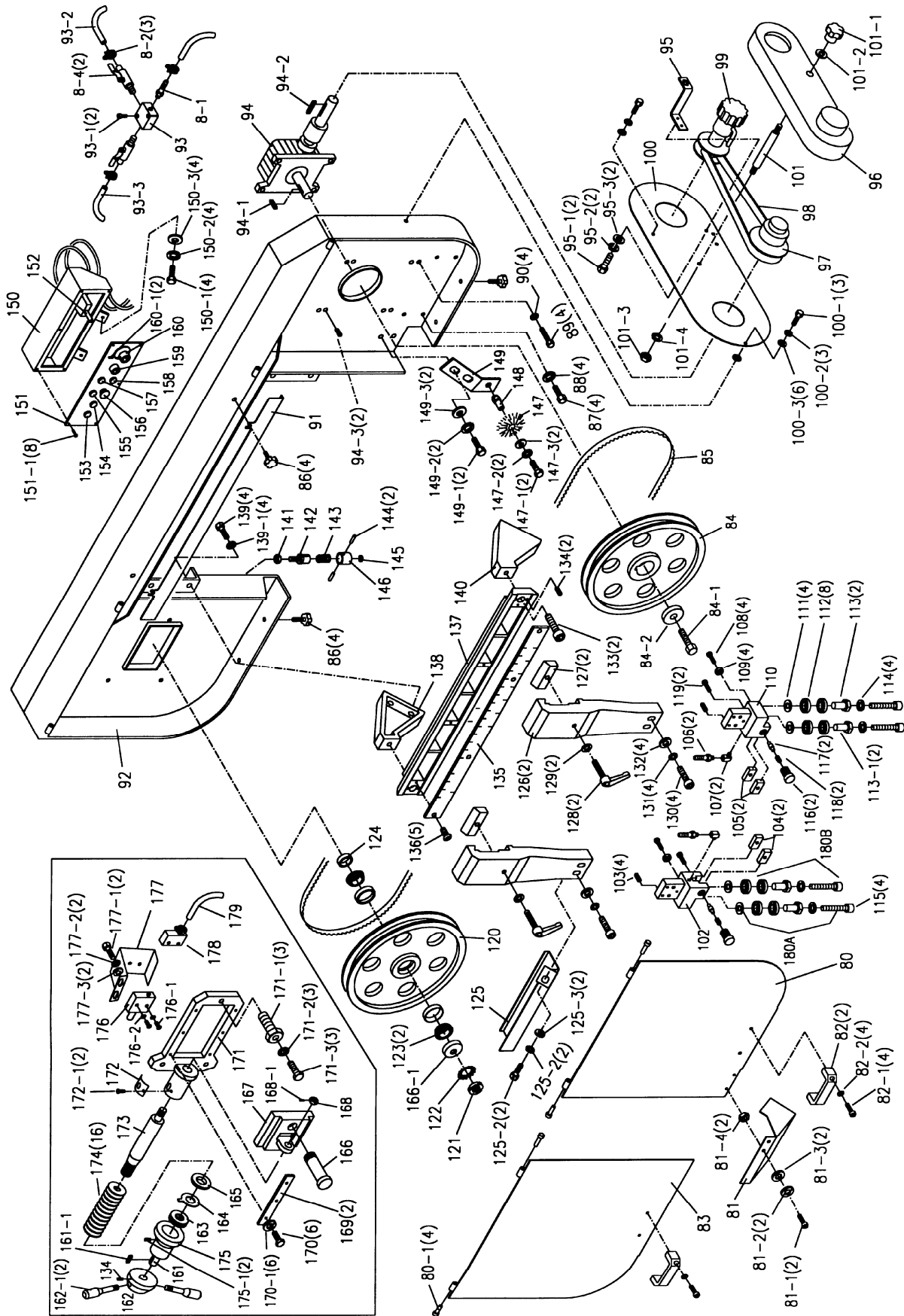
### Bed and Base Assembly

Index No.	Part No.	Description	Size	Qty.
1.....	1321W-01.....	Base.....		1
2.....	TS-1492061.....	Hex Cap Bolt.....	M12x65.....	4
3.....	TS-1540081.....	Hex Nut.....	M12.....	4
4.....	1321W-04.....	Coolant Pump.....	1/6HP.....	1
4-1.....	1321W-04-1.....	Cross Point Screw.....	M6x16.....	2
4-2.....	1321W-04-2.....	Spring Washer.....	M6.....	2
4-3.....	1321W-04-3.....	Flat Washer.....	M6.....	2
5.....	TS-1524041.....	Set Screw.....	M8x16.....	2
6.....	1321W-06.....	Coolant Tank Cover.....		1
6-1.....	TS-1550041.....	Washer.....	M6.....	1
6-2.....	TS-1503031.....	Hex Socket Cap Screw.....	M6x12.....	1
6-3.....	TS-1551041.....	Spring Washer.....	M6.....	1
7.....	1321W-07.....	Bed.....		1
7-1.....	1321W-07-1.....	Hex Cap Bolt.....	M12x50.....	4
7-2.....	1321W-07-2.....	Spring Washer.....	M12.....	4
8.....	1321W-08.....	Connector.....		1
8-1.....	1321W-08-1.....	Hose Fitting.....		2
8-2.....	1321W-08-2.....	Hose Clamp.....		6
8-3.....	1321W-08-3.....	Hose.....	3/8"x1200.....	1
8-4.....	1321W-08-4.....	On/Off Valve.....		3
8-5.....	1321W-08-5.....	Hose.....	3/8"x2800.....	1
8-6.....	1321W-08-6.....	Hose Fitting.....		1
8-7.....	1321W-08-7.....	Coolant Nozzle.....		1
8-8.....	1321W-08-8.....	Connector.....		1
8-9.....	1321W-08-9.....	Fitting.....		1
9.....	1321W-09.....	Coolant Gauge.....		1
9-1.....	TS-1491041.....	Pan Head Screw.....	M10x30.....	2
9-2.....	TS-1550071.....	Washer.....	M10.....	2
9-3.....	TS-1540071.....	Hex Nut.....	M10.....	2
10.....	1321W-10.....	Drain Plug.....		1
11.....	1321W-11.....	Front Door w/Latch.....		1
12.....	1321W-12.....	Hinge Pin.....		2
13.....	1321W-13.....	Panel Cover.....		1
13-1.....	1321W-13-1.....	Round Cross Cap Screw.....	M6x8.....	4
14.....	1321W-14.....	Electrical Panel Plate.....		1
14-1.....	1321W-14-1.....	Knob.....		1
14-2.....	1321W-14-2.....	Hinge Pin.....		2
14-3.....	1321W-14-3.....	Hex Nut.....	M6.....	1
15.....	1321W-15.....	Lock Knob.....		1
16.....	1321W-16.....	Stop Bracket.....		1
16-1.....	1321W-16-1.....	Connecting Plate.....		1
16-2.....	1321W-16-2.....	Lock Washer.....		1
16-3.....	1321W-16-3.....	Hex Cap Bolt.....		1
17.....	1321W-17.....	Stop Rod.....		1
18.....	1321W-18.....	Lock Handle.....		1
19.....	1321W-19.....	Work Stop.....		1
20.....	1321W-20.....	Lead Screw Seat.....		1
20-1.....	TS-1504061.....	Hex Socket Cap Screw.....	M8x30.....	2
20-2.....	TS-1551081.....	Spring Washer.....	M8.....	2
20-3.....	TS-1550061.....	Washer.....	M8.....	2

21	1321W-21	Handle Wheel Assembly		1
21-1	TS-0270031	Set Screw	5/16"x3/8"	2
21-2	1321W-21-2	Handle		1
22	1321W-22	Rack		1
23	1321W-23	Lead Screw Seat		1
23-2	TS-1504041	Hex Socket Cap Screw	M8x20	2
24	1321W-24	Lead Screw		1
24-1	1321W-24-1	Key		1
25	1321W-25	Slide Bracket		1
26	1321W-26	Vise Jaw - Left		1
26-1	TS-1492041	Hex Cap Bolt	M12x40	1
26-2	1321W-26-2	Locking Bolt	M12x45	1
26-3	TS-1551081	Spring Washer	M12	2
26-4	TS-1550061	Washer	M12x35x5W	1
27	1321W-27	Rack Block		1
28	TS-1523021	Set Screw	M6x8	1
29	1321W-29	Pin		1
30	1321W-30	Needle Bearing	CB3020	2
31	1321W-31	Vise Jaw - Right		1
31-1	1321W-31-1	Hex Cap Bolt	M16x50	1
31-2	1321W-31-2	Hex Cap Bolt	M16x40	1
31-3	1321W-31-3	Spring Washer	M16	2
31-4	1321W-31-4	Washer	M16x35x5W	1
32	1321W-32	Pivot Shaft		1
32-1	TS-1492001	Hex Cap Bolt	M12x20	2
32-2	TS-1550081	Washer	M12	2
33	1321W-33	Pivot Bracket		1
33-1	1321W-33-1	Spacer		1
34	1321W-34	Spring		1
35	1321W-35	Support Bracket Seat		1
36	1321W-36	Pivot Support Shaft		1
36-1	1321W-36-1	C-Clip	S22	1
37	1321W-37	Motor	3HP, 3Ph	1
37-1	1321W-37-1	Key	8x7x50	1
38	TS-1550041	Flat Washer	M6	2
39	1321W-39	Hex Cap Bolt	M10x55	4
39-1	TS-1550071	Flat Washer	M10	4
39-2	TS-1541071	Spring Washer	M10	4
39-3	TS-1540071	Hex Nut	M10	4
40	TS-1492051	Hex Cap Bolt	M12x50	3
40-1	TS-1551081	Spring Washer	M12	3
40-2	TS-1550081	Washer	M12	3
41	1321W-41	Switch Mounting Plate		1
42	TS-1551041	Spring Washer	M6	2
43	TS-1482021	Hex Cap Bolt	M6x12	2
44	1321W-44	Cross Point Screw	M5x35	8
44-1	1321W-44-1	Spring Washer	M5	8
45	1321W-45	Limit Switch	5101	1
45-1	1321W-45-1	Roller Limit Switch	5102	1
46	1321W-46	Adjusting Bracket		1
46-1	1321W-46-1	Scale Plate		1
46-2	1321W-46-2	Rivet		2
47	1321W-47	Cylinder Support Rod		1
47-1	1321W-47-1	C-Clip	S32	2
47-2	1321W-47-2	C-Clip	S28	1
48	1321W-48	Cylinder Cover		1
49	1321W-49	Spring		1

50.....	1321W-50.....	Retaining Pin .....	1
51.....	1321W-51.....	Cylinder Assembly .....	1
51-1.....	1321W-51-1.....	Holder.....	1
52.....	1321W-52.....	Cylinder Pin .....	1
53.....	1321W-53.....	Top Mounting Plate.....	1
54.....	TS-1492031.....	Hex Cap Bolt.....	M12x35..... 2
55.....	TS-1551081.....	Spring Washer .....	M12..... 2
56.....	1321W-56.....	Plate.....	1
56-1.....	TS-1482021.....	Hex Cap Bolt.....	M6x12..... 2
56-2.....	TS-1551041.....	Spring Washer .....	M6..... 2
56-3.....	TS-1550041.....	Flat Washer .....	M6..... 2
57.....	1321W-57.....	Switch Mounting Plate.....	1
58.....	TS-1503011.....	Hex Socket Cap Screw .....	M6x8..... 2
59.....	TS-1504051.....	Hex Socket Cap Screw .....	M8x25..... 6
60.....	TS-1551081.....	Spring Washer .....	M8..... 2
61.....	1321W-61.....	Handle.....	1
61-1.....	TS-1550071.....	Washer.....	M10..... 1
62.....	1321W-62.....	Hydraulic Pump Motor.....	1
62-1.....	1321W-62-1.....	Pump.....	1
62-2.....	1321W-62-2.....	Solenoid Valve.....	1
62-3.....	1321W-62-3.....	Hydraulic Fill Cap.....	1
63.....	1321W-HPCA.....	Hydraulic Pump Complete Assembly.....	1
64.....	1321W-64.....	Scale .....	1
65.....	1321W-65.....	Rivet.....	2
66.....	TS-1503031.....	Hex Socket Cap Screw .....	M6x12..... 2
67.....	1321W-67.....	Plate.....	2
68.....	1321W-68.....	Roller Seat.....	2
68-1.....	TS-1525021.....	Set Screw .....	M10x12..... 2
69.....	1321W-69.....	Support Roller.....	2
69-1.....	BB6004ZZ.....	Ball Bearing .....	6004ZZ..... 2
70.....	1321W-70.....	Rod.....	1
71.....	1321W-71.....	Knob.....	2
72.....	TS-1523021.....	Set Screw .....	M6x8..... 2
73.....	1321W-73.....	Terminal Strip .....	2
74.....	1321W-74.....	Magnetic Switch (w/Overload)...	1
74-1.....	1321W-74-1.....	Magnetic Switch.....	1
74-2.....	1321W-74-2.....	Magnetic Switch.....	1
75.....	1321W-75.....	Relay .....	1
75-1.....	1321W-75-1.....	Relay .....	1
76.....	1321W-76.....	Transformer .....	1
77.....	1321W-77.....	Fuse Case .....	1
77-1.....	1321W-77-1.....	Fuse (3A).....	2

# Arm Assembly



## Arm Assembly

Index No.	Part No.	Description	Size	Qty.
8-1	1321W-08-1	Hose Fitting		2
8-2	1321W-08-2	Hose Clamp		6
8-4	1321W-08-4	On/Off Valve		3
80	1321W-80	Blade Wheel Cover - R		1
80-1	1321W-80-1	Hinge Pin		4
81	1321W-81	Brush Cover		1
81-1	TS-1482021	Hex Cap Bolt	M6x12	2
81-2	TS-1551041	Spring Washer	M6	2
81-3	TS-1550041	Flat Washer	M6	2
81-4	TS-1540041	Nut	M6	2
82	1321W-82	Handle		2
82-1	1321W-82-1	Cross Point Screw	M6x16	4
82-2	1321W-82-2	Washer	M6	4
83	1321W-83	Blade Wheel Cover - L		1
84	1321W-84	Drive Wheel		1
84-1	1321W-84-1	Hex Cap Bolt	M12x20	1
84-2	1321W-84-2	Washer	M12	1
85	1321W-85	Saw Blade	1-1/4" x .042" x 161-1/2"	1
86	1321W-86	Knob		8
87	TS-1491041	Hex Cap Bolt	M10x30	4
88	TS-1551071	Spring Washer	M10	4
89	TS-1492031	Hex Cap Bolt	M12x35	4
90	TS-1551081	Spring Washer	M12	4
91	1321W-91	Blade Guard		1
92	1321W-92	Blade Wheel Box Assembly		1
93	1321W-93	Connector		1
93-1	1321W-93-1	Hex Socket Cap Screw	M6x20	2
93-2	1321W-93-2	Hose		1
93-3	1321W-93-3	Hose		1
94	1321W-94	Gear Box Assembly		1
94-1	1321W-94-1	Key	12x8x32	1
94-2	1321W-94-2	Key	7x7x40	1
94-3	TS-1525041	Set Screw	M10x12	2
95	1321W-95	Plate		1
95-1	TS-1482021	Hex Cap Bolt	M6x12	2
95-2	TS-1551041	Spring Washer	M6	2
95-3	TS-1550041	Washer	M6	2
96	1321W-96	Pulley Cover		1
97	1321W-97	Input Pulley		1
98	1321W-98	Belt	1922V443	1
99	1321W-99	Output Pulley Assembly		1
100	1321W-100	Cover Plate		1
100-1	TS-1490021	Hex Cap Bolt	M8x16	4
100-2	TS-1551081	Spring Washer	M8	3
100-3	TS-1550061	Washer	M8	6
101	1321W-101	Shaft		1
101-1	1321W-101-1	Knob		1
101-2	1321W-101-2	Washer	5/16"	1
101-3	1321W-101-3	Nut	5/16"	1
101-4	1321W-101-4	Spring Washer	5/16"	1
102	1321W-102	Guide Bracket - L		1

103	TS-1524041	Set Screw	M8x16	4
104	1321W-104	Blade Guide Assembly-L		2
105	1321W-105	Blade Guide Assembly-R		2
106	1321W-106	Connector		2
107	1321W-107	Cu Connector		2
108	TS-1490051	Hex Socket Cap Screw	M8x30	4
109	BB608Z	Ball Bearing	608Z	4
110	1321W-110	Guide Bracket - R		1
111	TS-1550061	Flat Washer	M8	4
112	BB6201RS	Ball Bearing	6201RS	8
113	1321W-113	Sleeve		2
113-1	1321W-113-1	Eccentric Sleeve		2
114	TS-1551081	Spring Washer	M8	4
115	TS-1490081	Hex Socket Cap Screw	M8x45	4
116	1321W-116	Adjusting Knob		2
117	1321W-117	Small Shaft		2
118	1321W-118	Spring		2
119	1321W-119	Hex Socket Cap Screw	M16x12	2
120	1321W-120	Idle Blade Wheel		1
121	1321W-121	Jam Nut		1
122	1321W-122	Star Washer		1
123	1321W-123	Taper Roller Bearing	30206	2
124	1321W-124	Spacer		1
125	1321W-125	Blade Guard		1
125-1	TS-1482021	Hex Cap Bolt	M6x12	2
125-2	TS-1551041	Spring Washer	M6	2
125-3	TS-1550041	Washer	M6	2
126	1321W-126	Adjusting Bracket Mount		2
127	1321W-127	Lock Block		2
128	1321W-128	Handle		2
129	TS-1550071	Washer	M10	2
130	TS-1505051	Hex Socket Cap Screw	M10x40	4
131	TS-1551071	Spring Washer	M10	4
132	TS-1550071	Washer	M10	4
133	TS-1550081	Hex Socket Cap Screw	M12x25	2
134	TS-1524031	Set Screw	M8x10	5
135	1321W-135	Scale Plate		1
136	1321W-136	Cross Point Screw		4
137	1321W-137	Slide Bracket		1
138	1321W-138	Blade Bracket - L		1
139	TS-1492021	Hex Cap Bolt	M12x30	4
139-1	TS-1551081	Spring Washer	M12	4
140	1321W-140	Blade Bracket - R		1
141	1321W-141	Hex Nut	M12	1
142	1321W-142	Stop Support		1
143	1321W-143	Spring		1
144	1321W-144	Pin		2
145	1321W-145	Rubber Pad		1
146	1321W-146	Stop Block		1
147	1321W-147	Brass Wire Brush		1
147-1	TS-1482021	Hex Cap Bolt	M6x12	2
147-2	TS-1551041	Spring Washer	M6	2
147-3	TS-1550041	Washer	M6	2
148	1321W-148	Bushing		1
149	1321W-149	Brush Bracket		1
149-1	TS-1482021	Hex Cap Bolt	M6x12	2

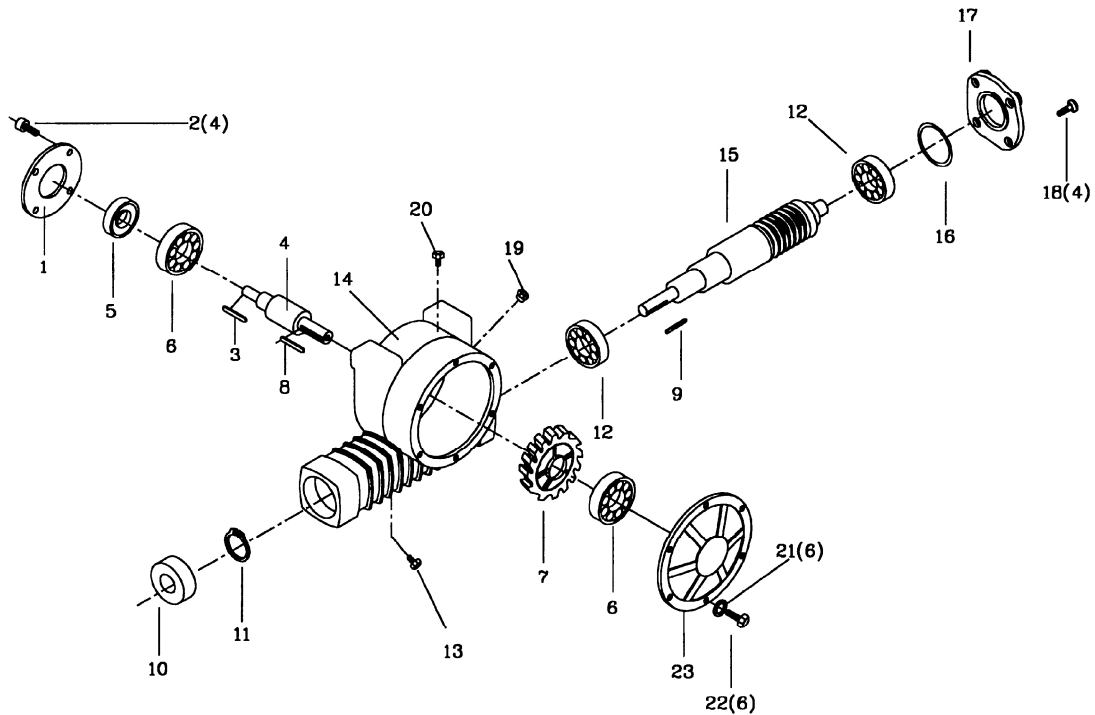
149-2	TS-1551041	Spring Washer	M6	2
149-3	TS-1550041	Washer	M6	2
150	1321W-150	Control Box		1
150-1	TS-1482021	Hex Cap Bolt	M6x12	4
150-2	TS-1551041	Spring Washer	M6	4
150-3	TS-1550041	Washer	M6	4
151	1321W-151	Control Panel		1
151-1	1321W-151-1	Cross Point Screw	M5x10	8
152	1321W-152	Downfeed Valve Assembly		1
153	1321W-153	Power Indicator Light		1
154	1321W-154	Start Button		1
155	1321W-155	Stop Button		1
156	1321W-156	Emergency Switch		1
157	1321W-157	Arm Up Switch		1
158	1321W-158	Arm Down Switch		1
159	1321W-159	On/Off Coolant Switch		1
160	1321W-160	Downfeed Control Knob		1
160-1	TS-1523061	Set Screw	M6x20	2
161	1321W-161	Extension Bar		1
161-1	1321W-161-1	Key		1
162	1321W-162	Handle Base		1
162-1	1321W-162-1	Handle		2
163	1321W-163	Thrust Bearing	51106	1
164	1321W-164	Indicator Washer		1
165	1321W-165	Spacer		1
166	1321W-166	Blade Wheel Bracket Shaft		1
166-1	1321W-166-1	Cover		1
167	1321W-167	Slide Bracket		1
168	1321W-168	Adjusting Nut		1
168-1	TS-1523021	Set Screw	M6x8	1
169	1321W-169	Slide Plate		2
170	TS-1504041	Hex Socket Cap Screw	M8x20	6
170-1	TS-1551061	Spring Washer	M8	6
171	1321W-171	Extension Bracket		1
171-1	1321W-171-1	Sleeve	M20x35	3
171-2	TS-1551081	Spring Washer	M12	3
171-3	1321W-171-3	Hex Cap Bolt	M12x65	3
172	1321W-172	Blade Extension Scale		1
172-1	1321W-172-1	Cross Point Screw	M5x10	2
173	1321W-173	Spring Support Shaft		1
174	1321W-174	Belleville Spring	W=2.5mm	16
175	1321W-175	Stop Flange		1
175-1	1321W-175-1	Set Screw	M8x20	2
176	1321W-176	Limit Switch	1307	1
176-1	1321W-176-1	Cross Point Screw	5/32"x1"	2
176-2	TS-1550021	Washer	M4	2
176-3	TS-1540021	Nut (not shown)	M4	2
177	1321W-177	Cover		1
177-1	TS-1482021	Hex Cap Bolt	M6x12	2
177-2	TS-1551041	Spring Washer	M6	2
177-3	TS-1550041	Washer	M6	2
178	1321W-178	Relief Bushing		2
178-1	1321W-178-1	Cover		1
179	1321W-179	Electrical Wire	0.5/2Cx430cm	1
180A	1321W-180A	Eccentric Sleeve Assembly (#111,112,113-1,114,115)		2
180B	1321W-180B	Sleeve Assembly (#111,112,113,114,115)		2



.....	1321W-181B1	.....	Laser Guide with Bracket (not shown)	.....	1
.....	1321W-181B2	.....	Transformer with Power Cord (not shown)	.....	1
.....	1321W-181B3	.....	Bracket for Laser Guide (not shown)	.....	1

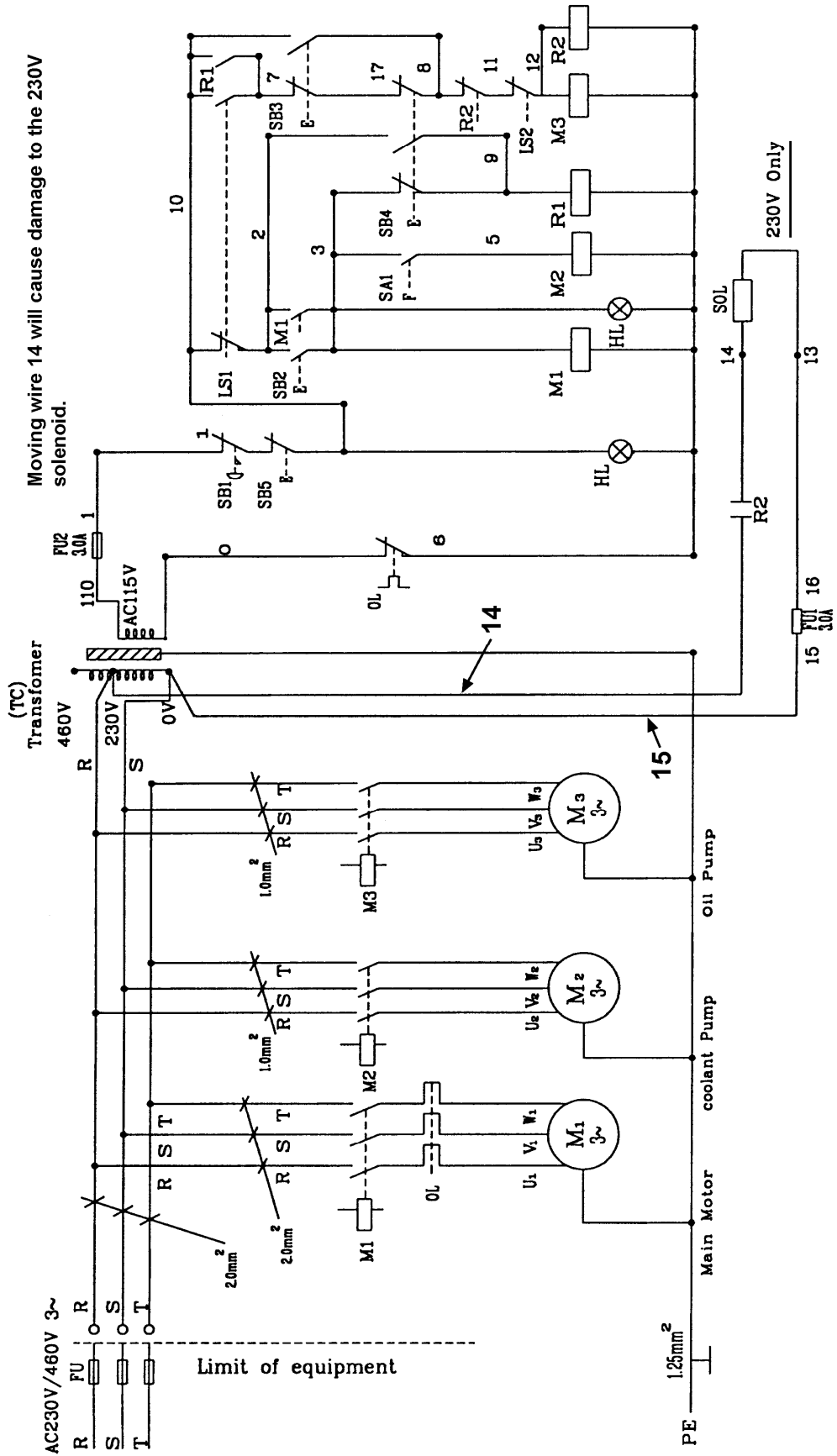
### Gear Reduce Box Assembly

Index No.	Part No.	Description	Size	Qty.
1.....	1321W-94-01	Output Shaft Cover		1
2.....	TS-1482031	Hex Socket Cap Screw	M6x16	4
3.....	1321W-94-03	Key	12x8x35	1
4.....	1321W-94-04	Output Shaft		1
5.....	1321W-94-05	Oil Seal	TC50X70X10	1
6.....	1321W-94-06	Taper Roller Bearing	30210	2
7.....	1321W-94-07	Worm		1
8.....	1321W-94-08	Key	16x10x70	1
9.....	1321W-94-09	Key	7x7x50	1
10.....	1321W-94-10	Oil Seal	SC30x62x7	1
11.....	1321W-94-11	C-Clip	R62	1
12.....	1321W-94-12	Taper Roller Bearing	30206	2
13.....	1321W-94-13	Drain Plug	1/4"PT	1
14.....	1321W-94-14	Gear Box		1
15.....	1321W-94-15	Worm Shaft		1
16.....	1321W-94-16	Gasket		1
17.....	1321W-94-17	Input Shaft Cover		1
18.....	TS-1504041	Hex Socket Cap Screw	M8x20	4
19.....	1321W-94-19	Clear Oil Glass	25	1
20.....	1321W-94-20	Fill Oil Plug	3/8"PT	1
21.....	TS-1551071	Spring Washer	M10	6
22.....	TS-1491041	Hex Cap Bolt	M10x30	6
23.....	1321W-94-23	Worm Shaft Cover		1



# Wiring Diagram

**NOTE:** When converting to 460V operation, wires 14 and 15 should remain in their original location. Do NOT move wire 14 to the 460V transformer trap.



Moving wire 14 will cause damage to the 230V solenoid.

## Wiring Diagram Symbol Glossary

<b>Symbol</b>	<b>Description</b>	<b>Part Number</b>
LS1	Cut off Limit Switch	1321W-45
LS2	Roller Limit Switch	1321W-45-1
SB1	Emergency Switch	1321W-156
SB2	Start Switch	1321W-154
SB3	Arm Down Switch	1321W-158
SB4	Arm Up Switch	1321W-157
SB5	Stop Switch	1321W-155
HL	Power Indicator Light	1321W-153
TC	Control Transformer	1321W-76
FU1	3A Fuse	1321W-77-1
FU2	3A Fuse	1321W-77
M1	Magnetic Switch (w/OL)	1321W-74
M2	Magnetic Switch	1321W-74-1
M3	Magnetic Switch	1321W-74-2
R1	Arm Up Relay	1321W-75
R2	Arm Down Relay	1321W-75-1
SA1	Coolant Pump On / Off Switch	1321W-159
SOL	SOL Valve	1321W-152