

## Saw Assembly – Parts

Index No.	Part No.	Description	Size	Qty
1	J-9180-01	Body Frame		1
2	J-9180-02	Anchor Block		1
2A	9180-02A	Anchor Plate		1
2B	TS-2245102	Button Head Socket Screw	M5x10	2
3	9180-03	Shaft		1
4	TS-1504041	Socket Head Cap Screw	M8x20	1
5	9180-05	Bearing Cover		2
6	9180-06	Tapered Bearing		2
7	9180-07	Washer		1
10-1	9180-10-1	Blade Tension Gauge		1
11	9180-11	Bearing		1
12	9180-12	Handle		2
13	9180-13	Hub		1
14	9180-14	Spring Washer	øID16.3xø31.5x1.8t	10
15	9180-15	Lead Screw		1
16	TS-154010	Hex Nut	M16	1
17	TS-1504051	Socket Head Cap Screw	M8x25	3
18	9180-18	Fixed Block		1
19	9180-19	Pin	ø 5x40	2
20	TS-1503051	Socket Head Cap Screw	M6x20	2
21	9180-21	Fixed Block		1
22	TS-2248252	Button Head Socket Screw	M8x25	2
23	TS-1523051	Set Screw	M6x16	2
23-1	TS-1523061	Set Screw	M6x20	6
24	9180-24	Locking Handle	M8x30	1
25	9180-25	Blade Adjust Bar		1
26	TS-1524021	Set Screw	M8x10	2
27	TS-1503021	Socket Head Cap Screw	M6x10	1
28	9180-28	Lift Handle		1
29	9180-29	Handle Grip		1
30	9180-30	Fixed Plate		1
36-1	TS-1505081	Socket Head Cap Screw	M10x60	1
37	9180-37	Bearing Shaft		2
38	9180-38	Guide Block (Front)		1
39-1	TS-1551071	Lock Washer	M10	1
40	9180-40	Hose Clip	ø8	3
41	TS-1504031	Socket Head Cap Screw	M8x16	3
43	9180-43	Eccentric Guide		2
44	BB-608ZZ	Bearing	608ZZ	10
45	9180-45	C-Retainer Ring	ø8	4
46	9180-46	Eccentric Guide		2
47	TS-2245122	Button Head Socket Screw	M5x12	2
48	J-9180-48	Blade Guard (Front)		1
50	TS-1550031	Flat Washer	M5	2
51	9180-51	Hex Nut	M10xP1	4
52	TS-2361101	Lock Washer	M10	4
53	J-9180-53	Deflector Plate		1
54	9180-54	Guide Block (Rear)		1
56	9180-56	Button Head Socket Screw	M8x35	2
58S	9180-58S	Brush Assembly		1
58-1	9180-58-1	Brush Support		1
58-2	9180-58-2	Brush		1
58-3	TS-1482061	Hex Cap Screw	M6x30	1
58-4	9180-58-4	Washer	ø6.5xø18xT1.5mm	1
58-6	TS-1540041	Hex Nut	M6	1

## Saw Assembly – Parts

Index No.	Part No.	Description	Size	Qty
61	9180-61	Cover		1
62	TS-2248162	Button Head Socket Screw	M8x16	2
64	TS-1524041	Set Screw	M8x16	1
65	9180-65	Frame Pivot Shaft		1
67	9180-67	Tapered Bearing		2
69	9180-69	Cover		2
70	9180-70	Washer		2
71	9180-71	Motor	1HP, 3Ph, 230V	1
72	TS-1482051	Hex Cap Screw	M6x25	4
73	TS-2361061	Lock Washer	M6	4
74GA	9180-74GA	Gear Box	3Ph, 1:28	1
75	TS-1551071	Lock Washer	M10	4
76	TS-1505031	Socket Head Cap Screw	M10x25	4
77	9180-77	Hose	ø6x750L	1
78	9180-78	Hose Fitting	ø8x1/4"PT	1
79	TS-1503041	Socket Head Cap Screw	M6x16	2
80	9180-80	Coolant Block		1
81	9180-81	Hose	ø6x240L	1
82	9180-82	Valve	1/8"	2
83	9180-83	Hose Fitting	ø6x1/8"PT	4
84	9180-84	Bushing		1
85	TS-1505031	Socket Head Cap Screw	M10x25	1
86	9180-86	Washer		1
87	9180-87	Round Head Key	8x7x50	1
88	9180-88	Output Shaft		1
89	9180-89	Round Head Key	7x7x30	1
90	9180-90	Bearing		1
91	9180-91	Spring		1
92	9180-92	Spring		1
96	9180-96	Idler Wheel		1
99	9180-99	Nut	M20xP1	1
100		Blade (local purchase)	3/4"x.035x82"x5/8VT	1
101	9180-101	Drive Wheel		1
102	9180-102	Drive Shaft Washer		1
103	TS-1491031	Hex Cap Screw	M10x25	1
104	9180-104	Frame Back Cover		1
105	TS-1503041	Socket Head Cap Screw	M6x16	4
106	TS-1550041	Flat Washer	M6	4
111	TS-2245162	Button Head Socket Screw	M5x16	2
112	TS-1550031	Flat Washer	M5	2
113	TS-1550031	Flat Washer	M5	1
114	TS-2245122	Button Head Socket Screw	M5x12	1
161	9180-161	Scale		1
162	9180-162	Rivet	ø2X6	2
165S	9180-165	Stock Stop Assembly		1
165-1	9180-165-1	Stop Block		1
165-2	TS-1550061	Flat Washer	M8	2
165-3	9180-165-3	Locking Handle		2
165-4	9180-165-4	Stock Stop Rod		1
165-5	9180-165-5	Distance Set Rod		1
165-6	TS-2310142	Hex Nut	M14xP1.5	1
165-7	9180-165-7	Scale		1
165-8	9180-165-8	Rivet	ø2	4
170	9180-170	Hand Wheel		1
171	9180-171	Pin	ø5x35	1

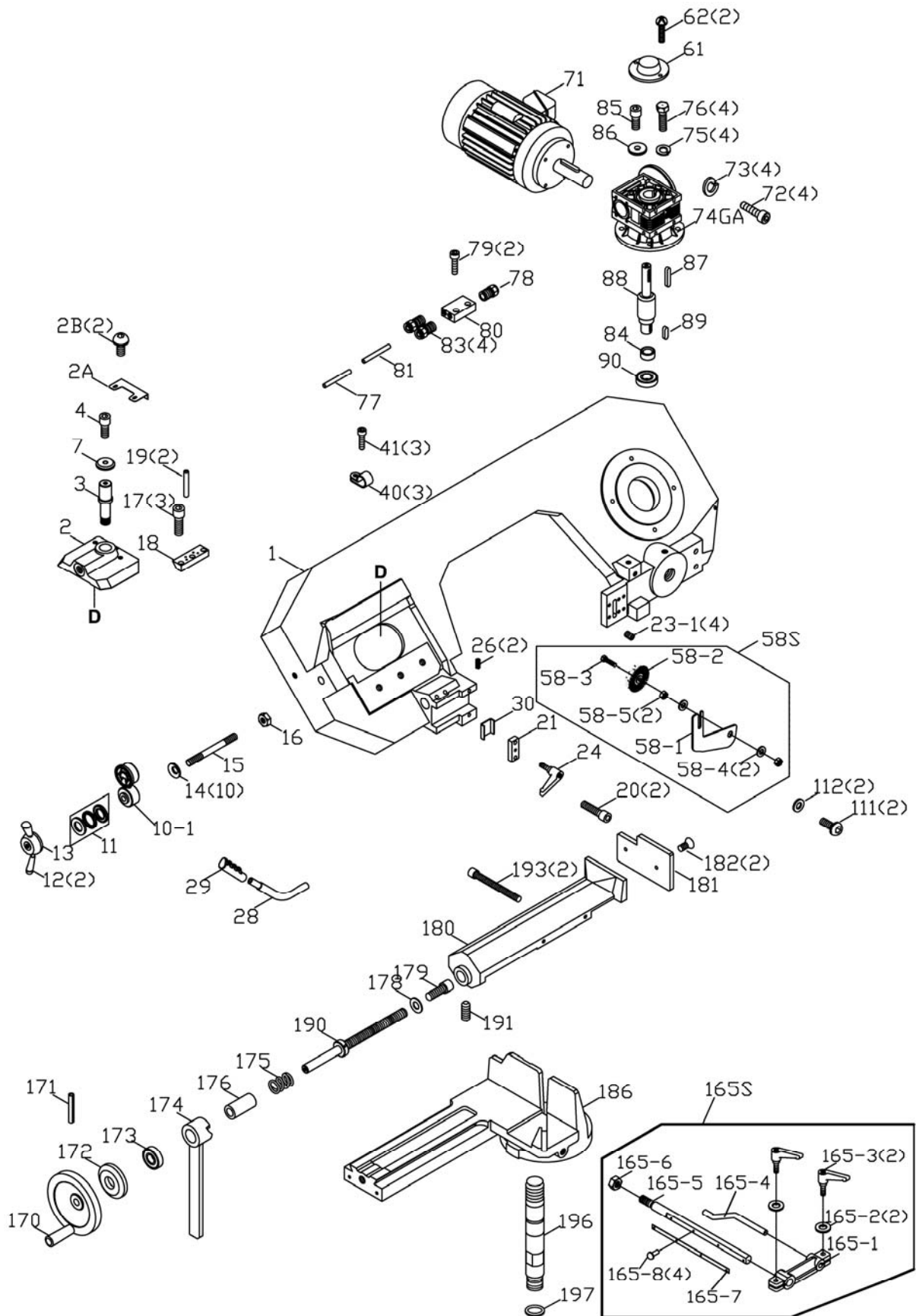
## Saw Assembly – Parts

Index No.	Part No.	Description	Size	Qty
172	9180-172	Bearing Cover		1
173	9180-173	Bearing	ø30xø47x3.5	1
174	9180-174	Vise Handle		1
175	9180-175	Spring		1
176	9180-176	Bushing		1
178	9180-178	Washer		1
179	TS-1503041	Socket Head Cap Screw	M6x16	1
180	J-9180-180	Front Moveable Vise Jaw		1
181	9180-181	Vise Jaw Insert		1
182	TS-1514011	Flat Head Socket Screw	M6x12	2
186	J-9180-186	Rear Stationary Vise Jaw		1
190	9180-190	Lead Screw		1
191	TS-1524051	Set Screw	M8x20	1
193	TS-2236911	Socket Head Cap Screw	M6x100	2
194	J-9180-194	Swivel Arm		1
195	TS-1540071	Hex Nut	M10	2
196	9180-196	Vise Swivel Rod		1
197	9180-197	O-Retainer Ring	ø19.8xø2.4	1
198	TS-2210451	Hex Cap Screw	M10x45	2
200	9180-200	Bushing		1
201	9180-201	Nut		1
202	9180-202	Spring Eye Bolt		1
202-1	TS-1540071	Hex Nut	M10	1
203	9180-203	Cylinder Assembly		1
204	TS-2360121	Flat Washer	M12	2
205	TS-1506131	Socket Head Cap Screw	M12x80	1
207	TS-1523051	Set Screw	M6x16	2
208	TS-1540081	Hex Nut	M12	1
210	9180-210	Cylinder Cover		1
214	9180-214	Control Box Label		1
215		Electrical Control Box Assembly (Reference Only)		1
216	9180-216	Hex Socket Plug	3/8"PT	1
216-1	9180-216-1	Washer		1
218	9180-218	O-Retainer Ring	ID170x5.7W	1
219	TS-1551071	Lock Washer	M10	6
220	TS-1505021	Socket Head Cap Screw	M10x20	6
221	J-9180-221	Stand Top		1
221-1	9180-221-1	Swivel Arm Base		1
222	9180-222	Screen		1
223	TS-2284082	Pan Head Screw	M4x8	2
224	9180-224	Stop Bolt	M10x50	1
224-1	9180-224-1	Stop Bolt	M10x100	1
225	TS-1540071	Hex Nut	M10	2
227	TS-1491031	Hex Cap Screw	M10x25	2
228	TS-2361101	Lock Washer	M10	2
229	9180-229	Fixed Plate		1
230	TS-2246102	Button Head Socket Screw	M6x10	2
231	TS-1505051	Socket Head Cap Screw	M10x35	1
232	9180-232	Nut		1
233	9180-233	Swivel Lock Handle		1
234	TS-1550071	Flat Washer	M10	4
235	TS-1505021	Socket Head Cap Screw	M10x20	4
240	9180-240	Pump	1/8HP	1
241	TS-1534052	Pan Head Screw	M6x16	2
242	TS-2361061	Lock Washer	M6	2
243	9180-243	Elbow	3/8"X3/8"	1
245	9180-245	Hose	ø8x1300L	1

## Saw Assembly – Parts

Index No.	Part No.	Description	Size	Qty
241	TS-1534052	Pan Head Screw	M6x16	2
242	TS-2361061	Lock Washer	M6	2
243	9180-243	Elbow	3/8"X3/8"	1
245	9180-245	Hose	ø8x1300L	1
248	9180-248	Tray		1
249	9180-249	Feed Support		1
	J-9180-250A	Stand Panel Set (Index #250-1 thru 250-5)		1
250-1	J-9180-250-1	Rear Stand Panel		1
250-2	J-9180-250-2	Right Stand Panel with door ( <i>serial no. 09040002 and higher</i> )		1
250-3	J-9180-250-3	Front Stand Panel with JET logo		1
250-4	J-9180-250-4	Left Stand Panel with hook ( <i>serial no. 09040002 and higher</i> )		1
250-5	J-9180-250-5	Bottom Plate ( <i>serial no. 09040002 and higher</i> )		1
253	TS-1490031	Hex Cap Screw	M8x20	12
254	TS-1550061	Flat Washer	M8	24
255	TS-1540061	Hex Nut	M8	12
	9225-256	Hook Assembly (includes #256-1 thru #256-3)		1
256-1	9225-193	Socket Head Cap Screw	M6x110L	1
256-2	TS-1541021	Nylon Lock Hex Nut	M6	2
256-3	TS-1550041	Washer	M6	2
258	9180-258	Bracket		1
259	TS-1550031	Flat Washer	M5	2
260	TS-1502021	Socket Head Cap Screw	M5x10	2
282	9180-282	Handle		1
283	TS-1504031	Socket Head Cap Screw	M8x16	2
284	TS-1540061	Hex Nut	M8	2
285	TS-2361081	Lock Washer	M8	2
292	TS-1540071	Hex Nut	M10	1
292-1	TS-2360121	Flat Washer	M10	2
293	TS-1505061	Socket Head Cap Screw	M10x40	1
294	9180-294	Control Box Base		1
295	TS-1490031	Hex Cap Screw	M8x20	2
296	TS-1550061	Flat Washer	M8	2
297	9180-297	Cylinder Bracket		1
304	TS-1503041	Socket Head Cap Screw	M6x16	2
305	TS-1551041	Lock Washer	M6	2
306	TS-1550041	Flat Washer	M6	2
307	TS-1540041	Hex Nut	M6	2
308	9180-308	Plate		1
309	TS-1502021	Socket Head Cap Screw	M5x10	1
	JETLOGO-1	JET Logo Plate (not shown)	2-3/4" x 8"	1
	STRIPE-1-3/4	Stripe (not shown)	1-3/4"W	per ft.

# Saw Assembly Drawing (1 of 3)





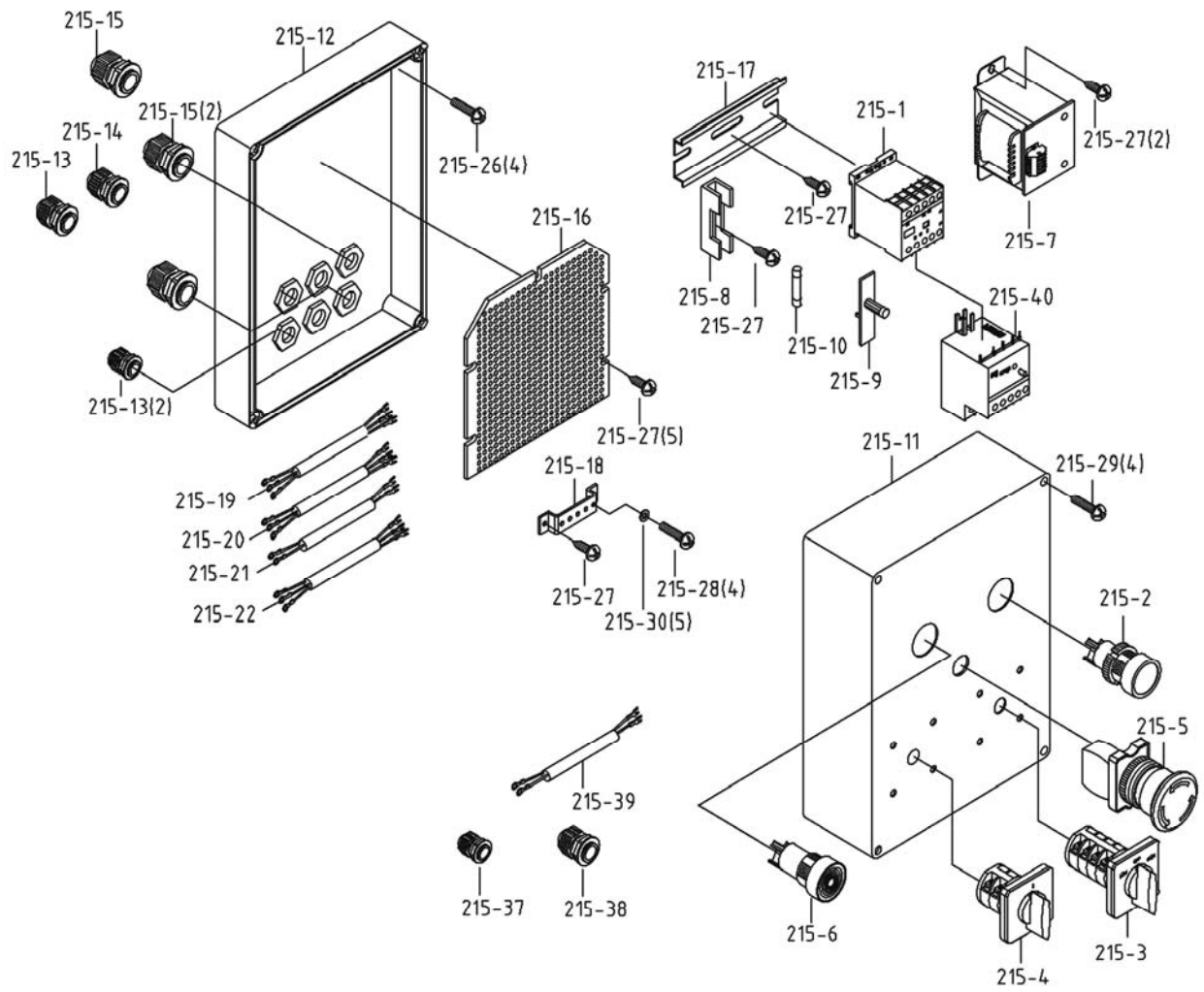


## Electrical Box Assembly – Parts

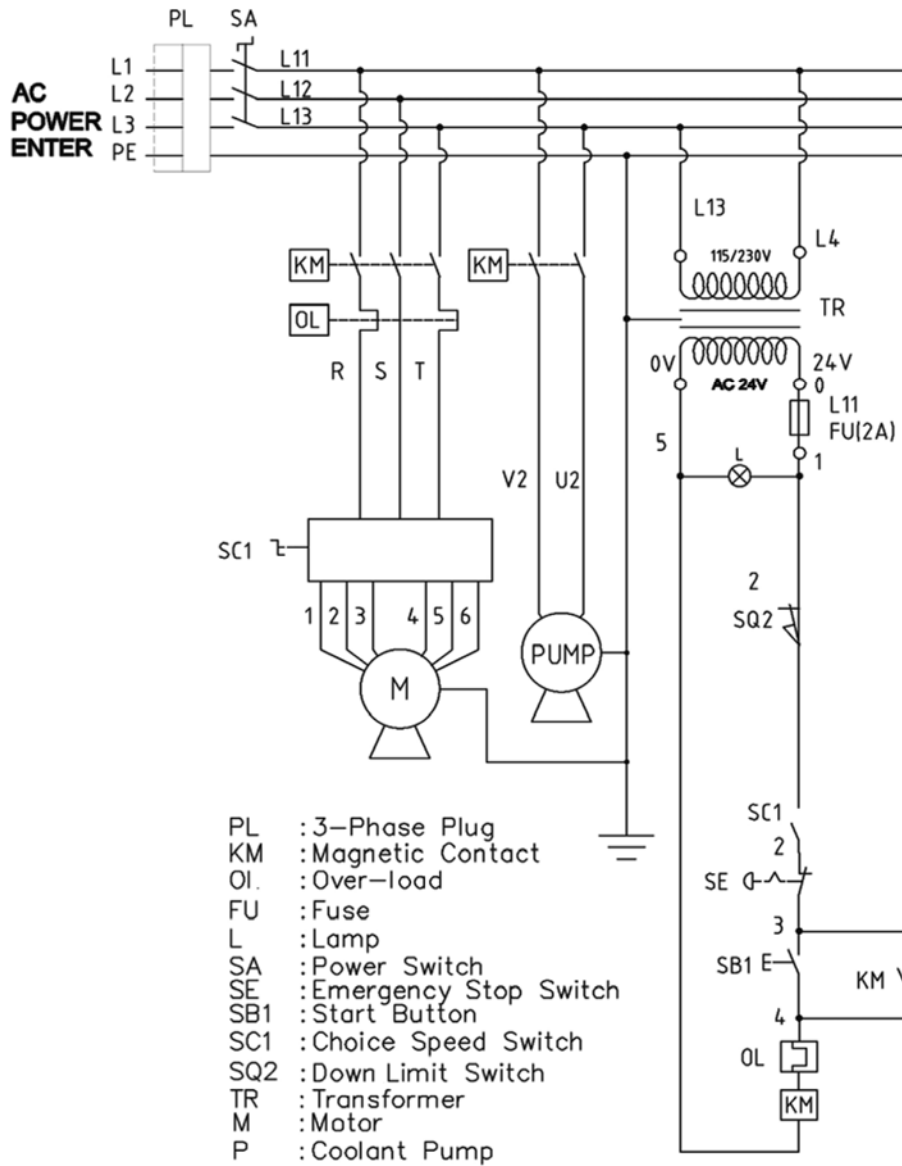
Index No.	Part No.	Description	Size	Qty
215		Electrical Control Box Assembly: 3Ph (Reference Only)		1
215-1	9180-215-1	Magnetic Contactor		1
215-2	9180-215-2	Push Button Start Switch		1
215-3	9180-215-3	Speed Switch		1
215-4	9180-215-4	On/Off Switch		1
215-5	9180-215-5	Emergency Stop Switch		1
215-6	9180-215-6	Power Lamp		1
215-7	9180-215-7	Transformer		1
215-8	9180-215-8	Fuse Base		1
215-9	9180-215-9	Fuse Lid		1
215-10	9180-215-10	Fuse	2A	1
215-11	J-9180-215-11	Electrical Box Cover		1
215-12	J-9180-215-12	Electrical Box		1
215-13	9180-215-13	Cable Relief		3
215-14	9180-215-14	Cable Relief		1
215-15	9180-215-15	Cable Relief		3
215-16	9180-215-16	Net Plate		1
215-17	9180-215-17	Rail		1
215-18	9180-215-18	Bracket		1
215-19	9180-P4C15	Power Cable (for 3Ph)	4cx1.5mm	1
215-20	9180-M4C15	Motor Cable (for 3Ph)	4cx1.5mm	1
215-21	9180-215-21	Limit Cable		1
215-22	9180-215-22	Pump Cable		1
215-26	TS-1533032	Pan Head Screw	M5x10	4
215-27	9180-215-27	Tapping Screw	M4x8	11
215-28	9180-215-28	Screw	M4x6	4
215-29	TS-1532052	Pan Head Screw	M4x16	4
215-30	9180-215-30	Washer	M5	5
215-36	9180-215-36	Limit Switch		1
215-37	9180-215-37	Cable Relief		1
215-38	9180-215-38	Cable Relief		1
215-39	9180-215-39	Wire		1
215-40	9180-OL-3	Overload (for 3Ph)	3.7-5.5A	1



# Electrical Box Assembly



# Wiring Diagram



**Walter Meier (Manufacturing) Inc.**  
 427 New Sanford Road  
 LaVergne, Tennessee 37086  
 Phone: 800-274-6848  
[www.waltermeier.com](http://www.waltermeier.com)