

Parts

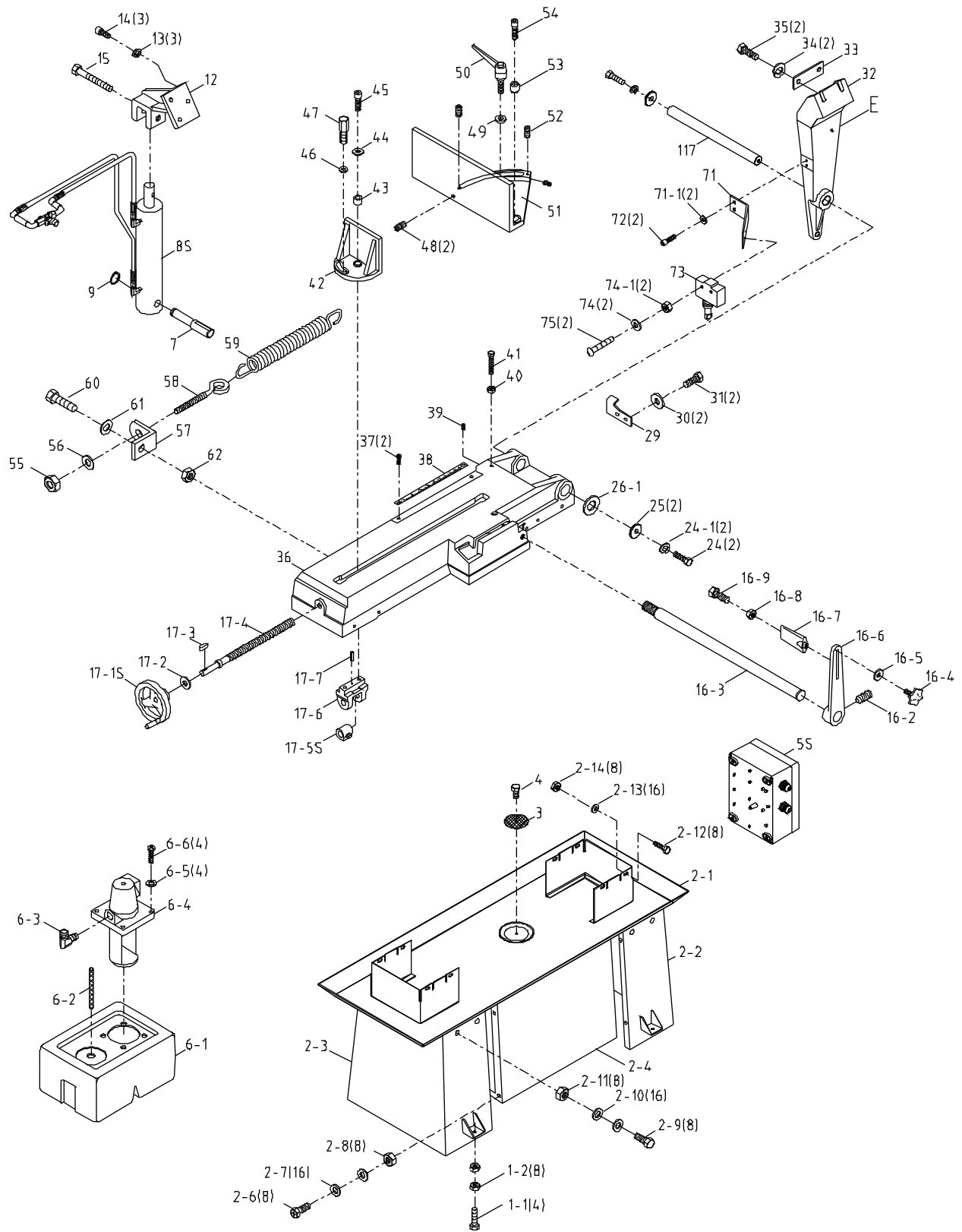
Saw Stand and Bed

Index No.	Part No.	Description	Size	Qty
1-1	TS-1499141	Hex Cap Screw	M12x80	4
1-2	TS-1540081	Hex Nut	M12	8
2-1	J-7015-2-1	Coolant Pan		1
2-2	J-7015-2-2	Right Leg		1
2-3	J-7015-2-3	Left Leg		1
2-4	J-7015-2-4	Front Panel/Shelf		1
2-6	TS-0050031	Hex Cap Screw	1/4"-20x3/4	8
2-7	TS-0680021	Flat Washer	1/4"	16
2-8	TS-0561011	Hex Nut	1/4"-20	8
2-9	TS-0060051	Hex Cap Screw	3/8"-16x1	8
2-10	TS-0680041	Flat Washer	3/8"	16
2-11	TS-0561031	Hex Nut	3/8"-16	8
2-12	TS-1490071	Hex Cap Screw	M8x40	8
2-13	TS-0680031	Flat Washer	5/16"	16
2-14	TS-1540061	Hex Nut	M8	8
3	7015-3	Screen		1
4	TS-2246102	Button Head Socket Screw	M6x10	1
5S		Electrical Box Assembly (Reference Only)		1
6-1	7015-6-1	Coolant Tank		1
6-2	7015-6-2	Hose	13x19-350mm	1
6-3	7015-6-3	Elbow	PT1/2x1/4"	1
6-4	J-7015-6-4	Coolant Pump	1/8HP,115/230V,1Ph	1
6-5	TS-0680021	Flat Washer	1/4"	4
6-6	TS-081F052	Pan Head Machine Screw	1/4"-20x3/4	4
7	7015-7	Pivot Shaft		1
8S	7015-8S	Cylinder Assembly		1
9	7015-9	Ext. Retaining Ring	S18	1
12	J-7015-12	Cylinder Upper Bracket		1
13	TS-0720081	Lock Washer	5/16"	3
14	TS-1504061	Socket Head Cap Screw	M8x30	3
15	TS-1505081	Socket Head Cap Screw	M10x50	1
	7015-16S	Stock Stop Assembly (Index 16-2 thru 16-9)		1
16-2	TS-1523031	Socket Set Screw	M6x10	1
16-3	7015-16-3	Stop Rod		1
16-4	7015-16-4	Knob		1
16-5	TS-0720071	Lock Washer	1/4"	1
16-6	7015-16-6	Stop Arm		1
16-7	7015-16-7	Stop Bracket		1
16-8	TS-1540071	Hex Nut	M10	1
16-9	TS-1491031	Hex Cap Screw	M10x25	1
17-1S	7015-17-1S	Handwheel		1
17-2	TS-0680051	Flat Washer	7/16"	1
17-3	7015-17-3	Key	5x5x15L	1
17-4	7015-17-4	Acme Leadscrew		1
17-5S	7015-17-5S	Acme Nut Assembly		1
17-6	7015-17-6	Bracket		1
17-7	7015-17-7	Pin		1
24	TS-1505031	Socket Head Cap Screw	M10x25	2
24-1	TS-2361101	Lock Washer	M10	2
25	7015-25	Pivot Shaft Washer		2
26-1	7015-26-1	Washer		1
29	7015-29	Position Set Bracket		1
30	TS-0680031	Flat Washer	5/16"	2

Saw Stand and Bed

Index No.	Part No.	Description	Size	Qty
31	TS-1490031	Hex Cap Screw	M8x20	2
32	J-7015-32	Rear Pivot Bracket		1
33	7015-33	Plate		1
34	TS-2361101	Lock Washer	M10	2
35	TS-1505051	Socket Head Cap Screw	M10x35	2
36	J-7015-36	Bed		1
37	TS-2245102	Button Head Socket Screw	M5x10	2
38	7015-38	Angle Scale		1
39	TS-1524021	Socket Set Screw	M8x10	1
40	TS-1540061	Hex Nut	M8	1
41	TS-1490081	Hex Cap Screw	M8x45	1
42	J-7015-42	Front Moveable Vise Jaw		1
43	7015-43	Bushing		1
44	TS-1550071	Flat Washer	M10	1
45	TS-1505051	Socket Head Cap Screw	M10x35	1
46	7015-46	Washer	ø10.5xø27xt3mm	1
47	7015-47	Bolt		1
48	7015-48	Socket Set Screw	M8x30	2
49	7015-46	Washer	ø10.5xø27xt3mm	1
50	7015-50	Locking Handle		1
51	J-7015-51	Rear Fixed Vise Jaw		1
52	TS-1523031	Socket Set Screw	M6x10	1
53	7015-53	Bushing		1
54	TS-1505051	Socket Head Cap Screw	M10x35	1
55	TS-0561031	Hex Nut	3/8"-16	1
56	TS-0680041	Flat Washer	3/8"	1
57	7015-57	Spring Bracket		1
58	7015-58	Spring Eye Bolt		1
59	7015-59	Spring		1
60	TS-0081031	Hex Cap Screw	5/16"-18x3/4"	1
61	TS-0680031	Flat Washer	5/16"	1
62	TS-0561021	Hex Nut	5/16"-18	1
71	7015-71	Limit Switch Holder		1
71-1	TS-1550041	Flat Washer	M6	2
72	TS-1534042	Pan Head Machine Screw	M6x12	2
73	7015-73	Limit Switch		1
74	TS-1550021	Flat Washer	M4	2
74-1	TS-1540021	Hex Nut	M4	2
75	TS-2284302	Pan Head Machine Screw	M4x30	2
117	7015-117	Pivot Shaft		1

Saw Stand and Bed – Parts Breakdown



JET-813-060320-A-R1

Saw Head

Index No.	Part No.	Description	Size	Qty
200	J-7015-200	Blade Guard		2
201	7015-201	Direction Label		1
202	TS-2246102	Knob		2
204	TS-1504051	Socket Head Cap Screw	M8x25	2
205	TS-1551061	Lock Washer	M8	2
206	TS-1550061	Flat Washer	M8	2
207	7015-207	Knob		2
208	TS-1550071	Flat Washer	M10	2
209	J-7015-209	Blade Guide Support Arm		2
209-1	7015-209-1	Blade Direction Label		2
210	7015-210	Gib		2
211	7015-211	Ext. Retaining Ring	ø8	4
212	BB-608ZZ	Bearing	608ZZ	10
213	7015-213	Eccentric Guide		2
214	7015-214	Eccentric Guide		2
215	TS-1503051	Socket Head Cap Screw	M6x20	4
216	7015-216	Carbide Blade Guide		4
217	7015-217	Bearing Shaft		2
218	TS-1523011	Socket Set Screw	M6x6	4
219	J-7015-219	Left Guide Bracket		1
220-1	7015-220-1	Valve		2
220-2	7015-220-2	Hose	ø6	2
220-3	7015-220-3	Straight Connector		2
220-4	7015-220-4	Hold Down Clamp		2
220-5	TS-2361061	Lock Washer	M6	4
220-6	TS-2246122	Button Head Socket Screw	M6x12	4
221	J-7015-221	Right Guide Bracket		1
	7015-222S	Brush Assembly (Index 222-1 thru 222-5)		1
222-1	7015-222-1	Brush Holder		1
222-2	7015-222-2	Blade Brush		1
222-3	TS-1550041	Flat Washer	M6	2
222-4	TS-1540041	Hex Nut	M6	2
222-5	TS-1482071	Hex Cap Screw	M6x35	1
223	TS-2246122	Button Head Socket Screw	M6x12	1
223-1	TS-2361061	Lock Washer	M6	1
224	TS-2246122	Button Head Socket Screw	M6x12	2
225	J-7015-225	Blade/Brush Guard		1
226	TS-1540041	Hex Nut	M6	2
300	TS-1504031	Socket Head Cap Screw	M8x16	4
301	7015-301	Handle		2
302	7015-302	Knob		2
302-1	TS-1550031	Flat Washer	M5	6
302-2	TS-2245102	Button Head Socket Screw	M5x10	6
303	J-7015-303	Left Blade Wheel Cover		1
304	TS-2361081	Lock Washer	M8	4
305	TS-1540061	Hex Nut	M8	4
306	J-7015-306	Right Blade Wheel Cover		1
306-1	7015-306-1	Padding Strip		2
307	TS-1490031	Hex Cap Screw	M8x20	1
308	7015-308	Washer	ø16xø30xt3mm	1
309	BB-6205VV	Bearing	6205-2RS	2
310	7015-310	Idler Wheel		1
311	7015-311	Shaft		1
312	7015-312	Handle		1
313	TS-0561031	Hex Nut	3/8"-16	2
314	J-7015-314	Body Frame		1

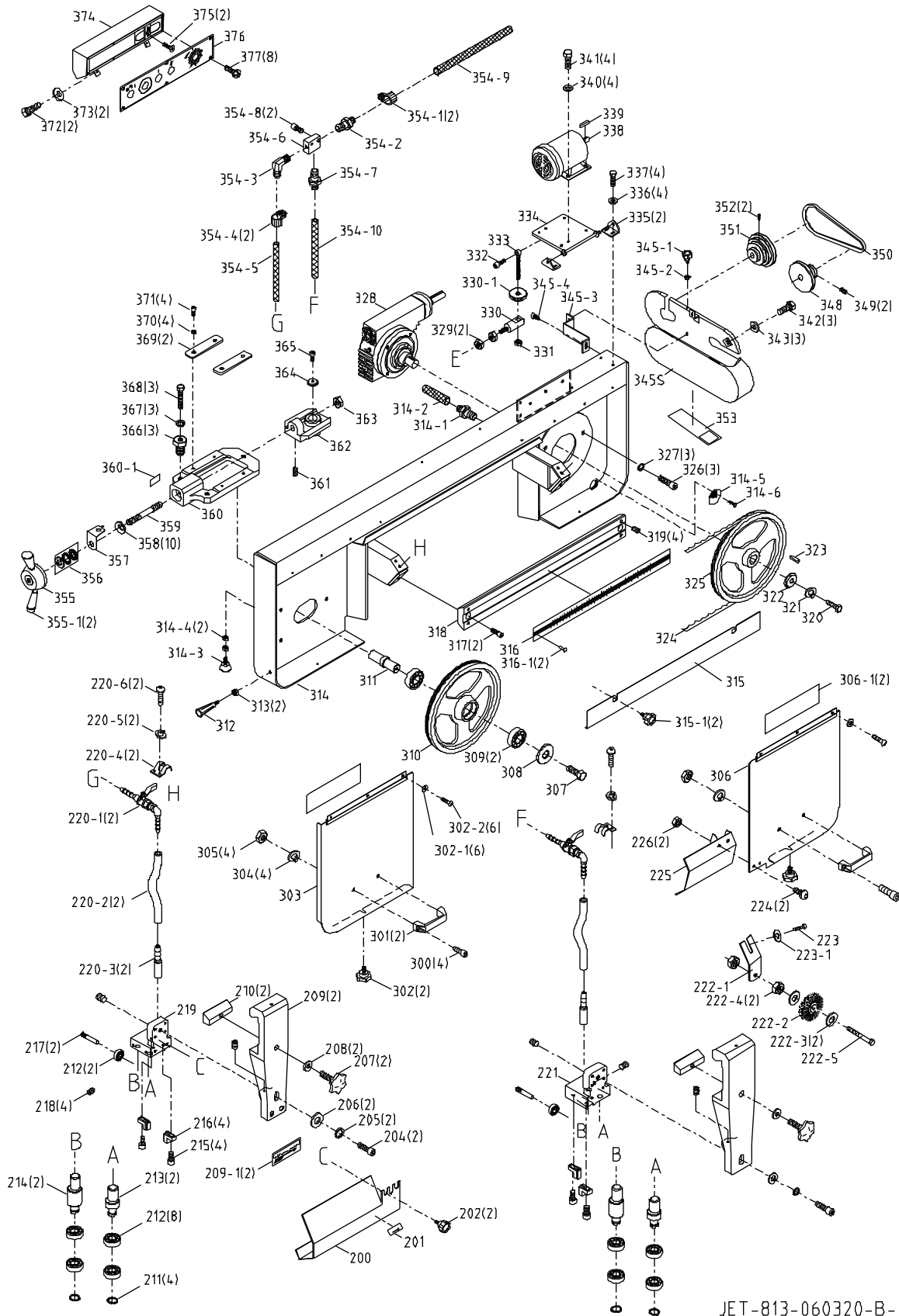
Saw Head

Index No.	Part No.	Description	Size	Qty
314-1	7015-314-1	Connector	PT1/2"	1
314-2	7015-314-2	Hose	18x24-190mm	1
314-3	7015-314-3	Stop Bolt		1
314-4	TS-1540061	Hex Nut	M8	2
314-5	7015-314-5	Screen		1
315	J-7015-315	Upper Cover		1
315-1	7015-315-1	Knob		2
316	7015-316	Scale		1
316-1	7015-316-1	Rivet	ø2x5L	2
317	TS-1506011	Socket Head Cap Screw	M12x20	2
318	7015-318	Slide Bar		1
319	TS-1524051	Socket Set Screw	M8x20	4
320	TS-1492021	Hex Cap Screw	M12x30	1
321	TS-2361121	Lock Washer	M12	1
322	7015-322	Drive Shaft Washer		1
323	7015-323	Key	8x8x30L	1
324	5516192	Blade (Standard)	1x.035x114.5" - 5/8T	1
	5516191	Blade	1x.035x114.5" - 4/6T	1
325	7015-325	Drive Wheel		1
326	TS-1505021	Socket Head Cap Screw	M10x20	3
327	TS-1551071	Lock Washer	M10	3
328	J-7015-328	Gear Box Assembly	1:30 8mm	1
329	TS-1540071	Hex Nut	M10	2
330	7015-330	Shaft		1
330-1	7015-330-1	Knurled Disc		1
331	TS-1540081	Hex Nut	M12	1
332	TS-1505101	Socket Head Cap Screw	M10x60	1
333	7015-333	Motor Adjusting Screw		1
334	7015-334	Motor Mount Plate		1
335	7015-335	Motor Mount Plate Bracket		2
336	TS-1550041	Flat Washer	M6	4
337	TS-1503051	Socket Head Cap Screw	M6x20	4
338	J-7015-338	Motor	1.5HP, 115/230V, 1PH	1
339	7015-339	Key	6x6x35L	1
340	TS-1550061	Flat Washer	M8	4
341	TS-1490021	Hex Cap Screw	M8x16	4
342	TS-1482011	Hex Cap Screw	M6x10	3
343	TS-1550041	Flat Washer	M6	3
345S	J-7015-345S	Pulley Guard & Cover Assembly		1
345-1	7015-345-1	Knob		1
345-2	TS-1550041	Flat Washer	M6	1
345-3	7015-345-3	Bracket		1
345-4	TS-1482011	Hex Cap Screw	M6x10	1
348	7015-348	Gearbox Pulley		1
349	TS-1524021	Socket Set Screw	M8x10	2
350	VB-A32	Belt	A-32	1
351	7015-351	Motor Pulley		1
352	TS-1524021	Socket Set Screw	M8x10	2
353	7015-353	Speed Chart Label		1
354-1	7015-354-1	Hose Clamp	ø12	2
354-2	7015-354-2	Straight Connector	PT1/4"x1/4"	1
354-3	7015-354-3	Elbow	PT1/4"x1/4"	1
354-4	7015-354-4	Hose Clamp	ø19	2
354-5	7015-354-5	Hose	ID1/4"x2.2tx80cm	1
354-6	7015-354-6	3 Way Coolant Block		1
354-7	7015-354-2	Straight Connector	PT1/4"x1/4"	1

Saw Head

Index No.	Part No.	Description	Size	Qty
354-8	TS-1503071	Socket Head Cap Screw	M6x30	2
354-9	7015-354-9	Hose	ID1/4"x2.2tx143cm	1
354-10	7015-354-10	Hose	ID1/4"x2.2tx32cm	1
355	7015-355	Hub		1
355-1	7015-355-1	Blade Tension Handle		2
356	BB-51203	Thrust Bearing	51203	1
357	7015-357	Tension Indicator		1
358	7015-358	Lock Washer, Tension	ID16.3x31.5x1.8t	10
359	7015-359	Tension Shaft		1
360	J-7015-360	Tension Slide Base		1
360-1	7015-360-1	Tension Scale		1
361	TS-1523051	Socket Set Screw	M6x16	1
362	J-7015-362	Tension Slide Block		1
363	TS-154010	Hex Nut	M16	1
364	7015-364	Washer		1
365	TS-1490031	Hex Cap Screw	M8x20	1
366	7015-366	Screw		3
367	TS-2361101	Lock Washer	M10	3
368	TS-1491101	Hex Cap Screw	M10x60	3
369	7015-369	Plate		2
370	TS-2361081	Lock Washer	M8	4
371	TS-1490011	Hex Cap Screw	M8x12	4
372	TS-2246122	Button Head Socket Screw	M6x12	2
373	TS-0680021	Flat Washer	1/4"	2
374	J-7015-374	Control Box		1
375	TS-2286121	Flat Head Machine Screw	M6x12	2
376	7015-376	Control Box Front Panel	5 Hole	1
377	TS-1533032	Pan Head Machine Screw	M5x8	8

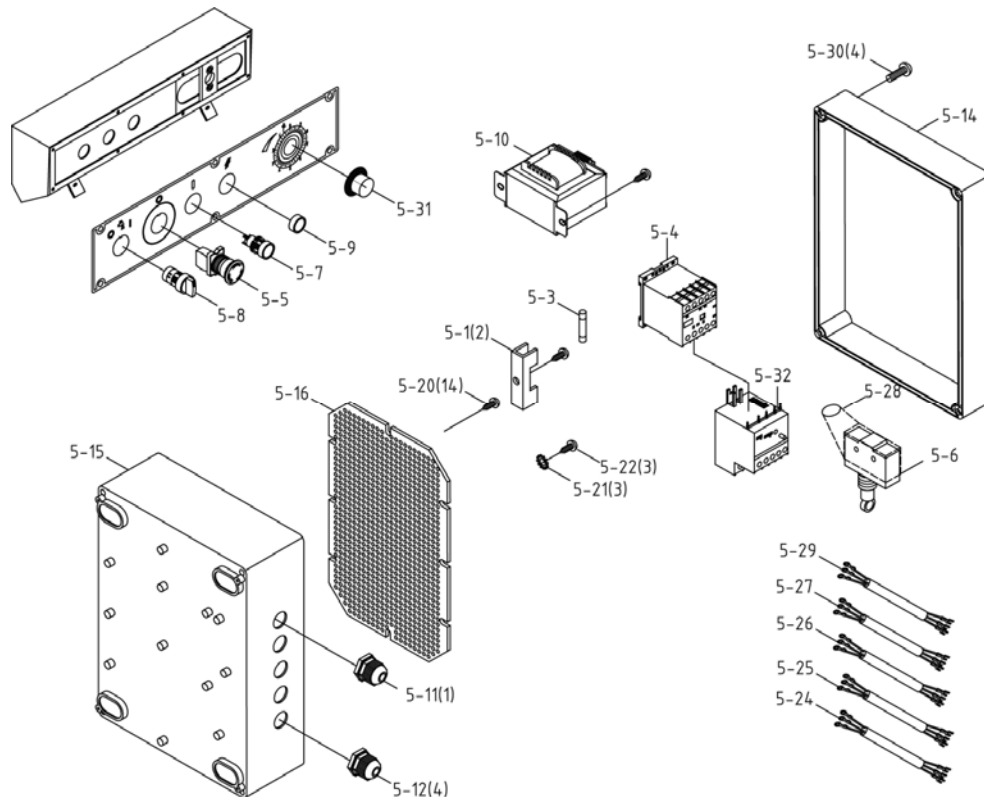
Saw Head – Parts Breakdown



JET-813-060320-B-R1

Electric Assembly – Parts and Breakdown

Index No.	Part No.	Description	Size	Qty
5-1	7015-5-1A	Fuse Base (<i>serial no12040936 and higher</i>)	VLC10	2
5-3	7015-5-3A	Fuse (<i>serial no12040936 and higher</i>)	KTK-2A	1
5-4	7015-5-4	Magnetic Contactor	SDE MA-15	1
5-5	7015-5-5	Emergency Stop Switch	HY-57B	1
5-6	7015-5-6A	Limit Switch (<i>serial no12040936 and higher</i>)	CSA/CUS	1
5-7	7015-5-7	Flat Switch (Start)	XB7-EA311AG	1
5-8	7015-5-8	Selector Switch (Coolant Pump)	XB7-ED21	1
5-9	7015-5-9	Indicator Light (Power)	XB7-EV64	1
5-10	7015-5-10	Transformer	CE 30W 110/220V	1
5-11	7015-5-11	Cable Setting Nut	PG-11	4
5-12	7015-5-12	Cable Setting Nut	PG-13.5	1
5-14	7015-5-14	Electrical Control Box Cover		1
5-15	7015-5-15	Electrical Control Box		1
5-16	7015-5-16	Net Plate		1
5-20	7015-5-20	Screw, Tapping	M4x8L	14
5-21	TS-1550031	Washer	M5	3
5-22	TS-1533032	Pan Head Machine Screw	M5x10	3
5-24	7015-5-24	Motor Cable	14*3C	1
5-25	7015-5-25	Power Cable	14*3C	1
5-26	7015-5-26	Limit Cable	VDE0.75*2C	1
5-27	7015-5-27	Pump Cable		1
5-28	7015-5-28	Limit Switch Cover	CB2	1
5-29	7015-5-29	Control Wire	0.75 x 6C	1
5-30	TS-1533032	Pan Head Machine Screw	M5x10	4
5-31	7015-5-31	Feed Rate Control Knob		1
5-32	7015-5-32	Overload Relay (<i>serial no12040936 and higher</i>)	RHU-10K1	1



Wiring Diagram

