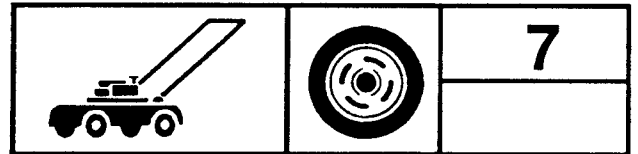
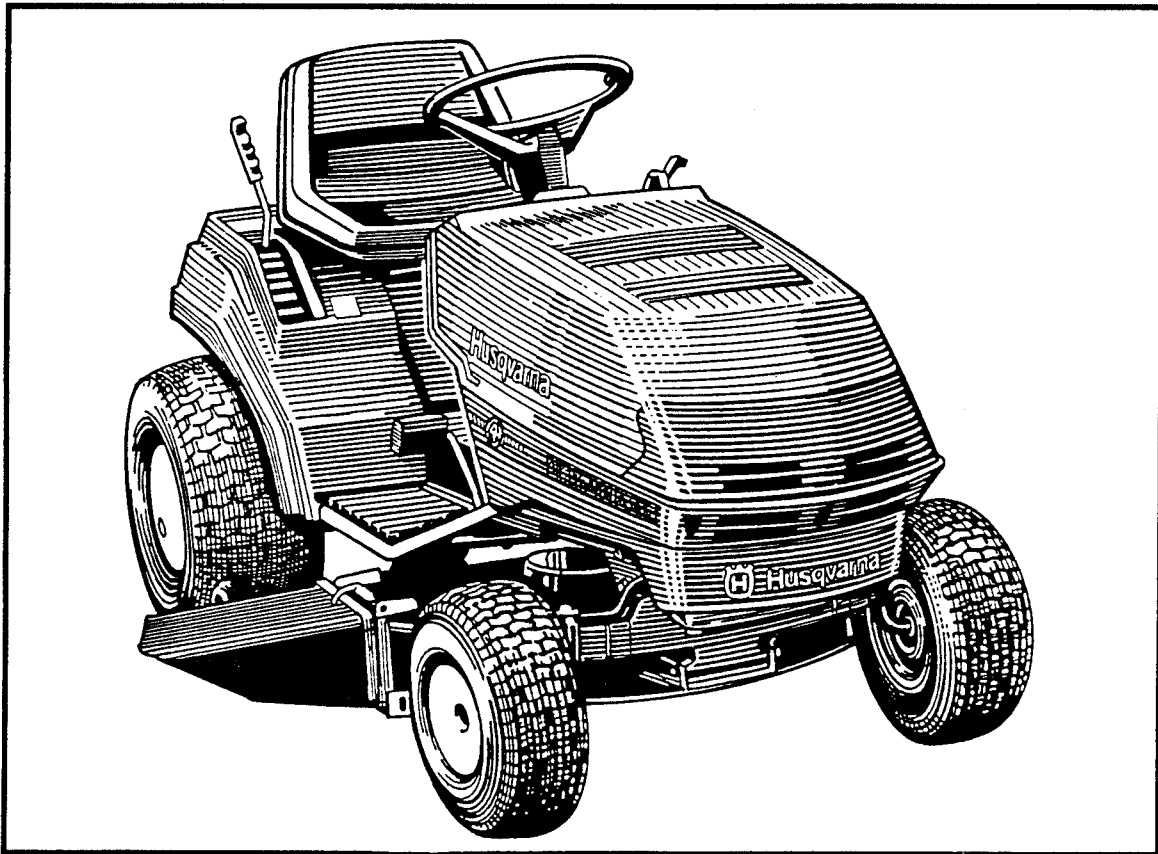


 **Husqvarna**



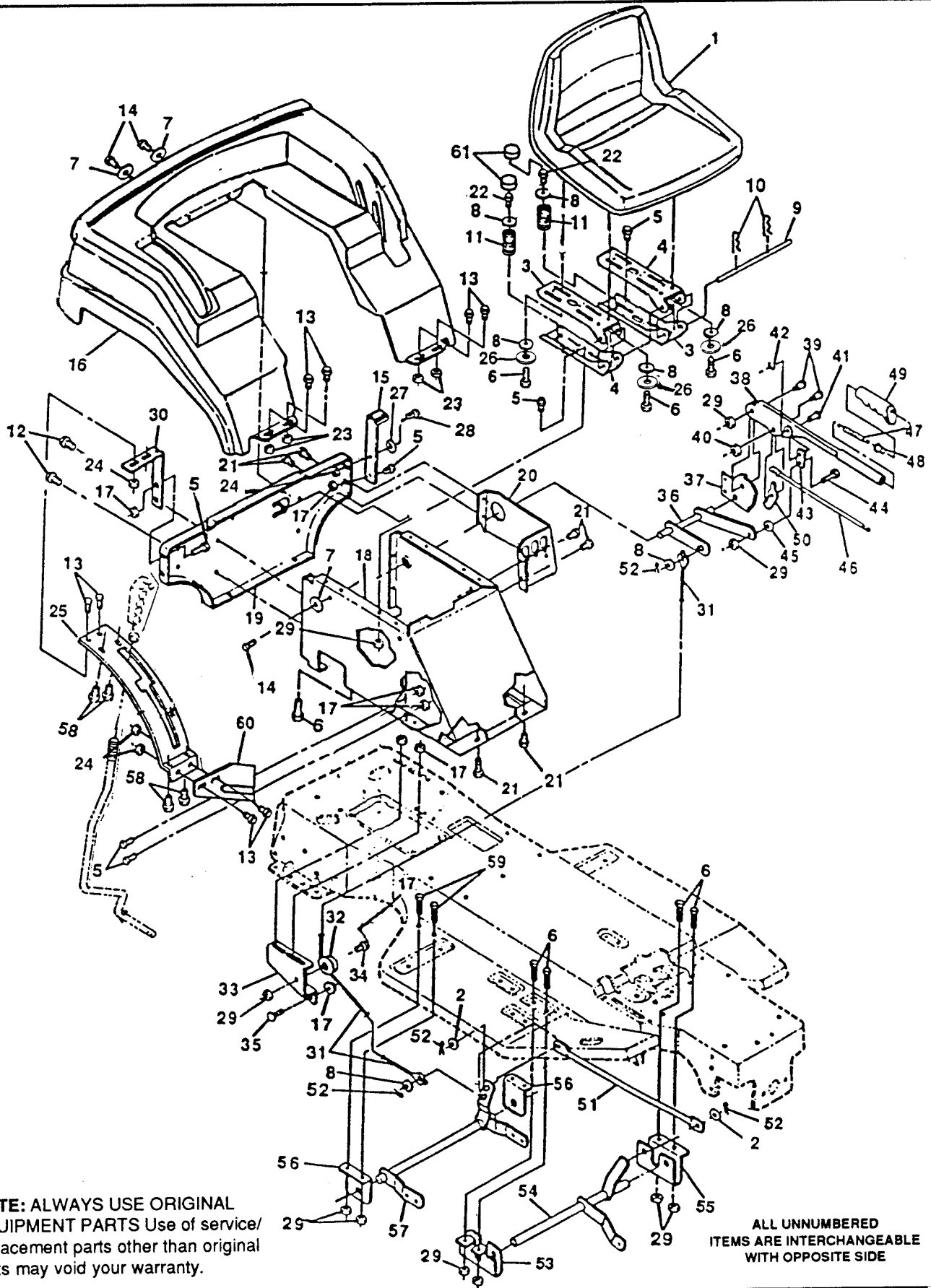
4140H



1.1992
Spare Parts

TRACTOR REPAIR PARTS

46" TRACTOR MODEL 4140H



NOTE: ALWAYS USE ORIGINAL EQUIPMENT PARTS Use of service/ replacement parts other than original parts may void your warranty.

ALL UNNUMBERED ITEMS ARE INTERCHANGEABLE WITH OPPOSITE SIDE

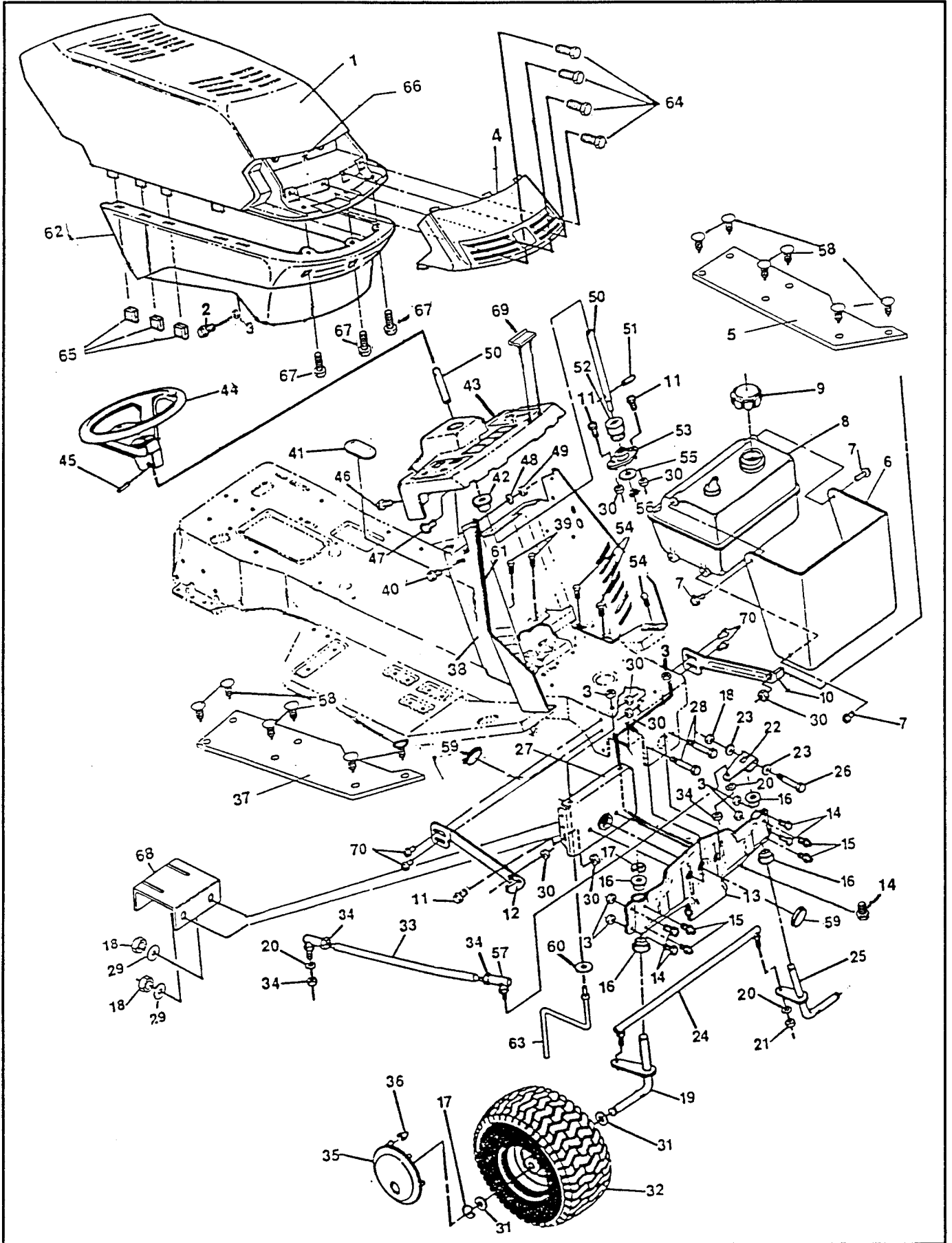
TRACTOR REPAIR PARTS

46" TRACTOR MODEL 4140H

Key No.	Part No.	Description	Key No.	Part No.	Description
1	6010003-95	Seat	44	6010005-21	Shoulder Bolt, 5/16-18 Thd.
2	6010001-05	Washer, Flat, 13/32 In.12	45	6010005-47	Washer
3	6010008-64	Channel, Seat	46	6010006-43	Actuator Rod
4	6010008-65	Channel, Seat	47	6010006-42	Spring, Height Adjust
5	6010005-97	Screw, Hx Hd, Wd Fl 5/16-18 x 3/4 In.	48	6010006-40	Knob, Height Adjust
6	6010000-28	Screw, Hx Hd, 5/16-18 x 3/4 In.	49	6010002-38	Handle, Lift
7	6010000-03	Washer, Flat, .281 x 1.00 x .063	50	6010001-26	Pawl, Height Adjust
8	6010000-19	Washer, Flat, 11/32 In.	51	6010001-59	Tie Rod
9	6010008-65	Rod, Seat Support	52	6010000-25	Cotter Pin
10	6010005-23	Hair Pin, .073 Dia. x 1.13 In.	53	6010007-16	Bracket, L. H. Front Hanger
11	6010002-62	Seat Spring	54	6010007-21	Assembly, Front Lift Shaft
12	6010005-70	Screw, Tap, 5/16-18 x 7/8 In.	55	6010007-17	Bracket, R. H. Front Hanger
13	6010000-67	Screw, Hx Hd, 1/4-20 x 5/8 In.	56	6010007-20	Bracket, Hanger
14	6010006-67	Screw, Hx, Wshr Hd, Tap 1/4-20 x 5/8 In.	57	6010007-22	Assembly, Rear Lift Shaft
15	6010002-57	Fender Support, L. H.	58	6010001-13	Screw, Hx Hd, Tap # 10 x 1/2 In.
16	6010008-66	Fender	59	6010000-06	Screw, Hx Hd, 5/16-18 x 5/8 In.
17	6010008-67	Nut, Hx, Wd Fl, Lk 5/16-18 Thd.	60	6010002-59	Support, Shift Plate
18	6010008-68	Seat Support	61	6010006-20	Cover, Seat Spring
19	6010008-69	Support, Fender & Seat	62	6010008-70	Operator's Manual (Not Illustrated) English
20	6010001-34	Bracket, Support Engage	63	6010008-71	Operator's Manual (Not Illustrated) French
21	6010005-19	Screw, Hx Wshr Hd Tap, 5/16-18 x 1/2 In.	64	6010008-72	Part's Manual (Not Illustrated) English
22	6010005-43	Screw, 5/16-18 x .63			
23	6010000-62	Nut, Lock, 1/4-20 Thd.			
24	6010005-75	Nut, Hx, Wd Fl Lk, 1/4-20 Thd.			
25	6010007-37	Quadrant			
26	6010000-23	Washer, Split .328x.60x.09			
27	6010000-17	Washer, Flat			
28	6010000-73	Screw, 1/4-20 x .75			
29	6010000-59	Nut, Hx Ctrlk, 5/16-18 Thd.			
30	6010002-58	Fender Support, R. H.			
31	6010001-91	Cable, Deck Lift			
32	6010005-60	Pulley			
33	6010001-93	Assembly, Pulley Bracket			
34	6010002-63	Shoulder Bolt, 5/16-18 Thd.			
35	6010000-52	Bolt, Carriage, 5/16-18 x 5/8 In.			
36	6010001-33	Assembly, Upper Shaft			
37	6010001-60	Quadrant			
38	6010007-47	Lift Lever			
39	6010001-10	Shoulder Bolt, 5/16-18 Thd.			
40	6010005-40	Nut, Hx Wd Fl Lk 5/16-18 Thd.			
41	6010001-15	Clevis Pin			
42	6010001-16	E-Ring			
43	6010001-56	Link			

TRACTOR REPAIR PARTS

46" TRACTOR MODEL 4140H



TRACTOR REPAIR PARTS

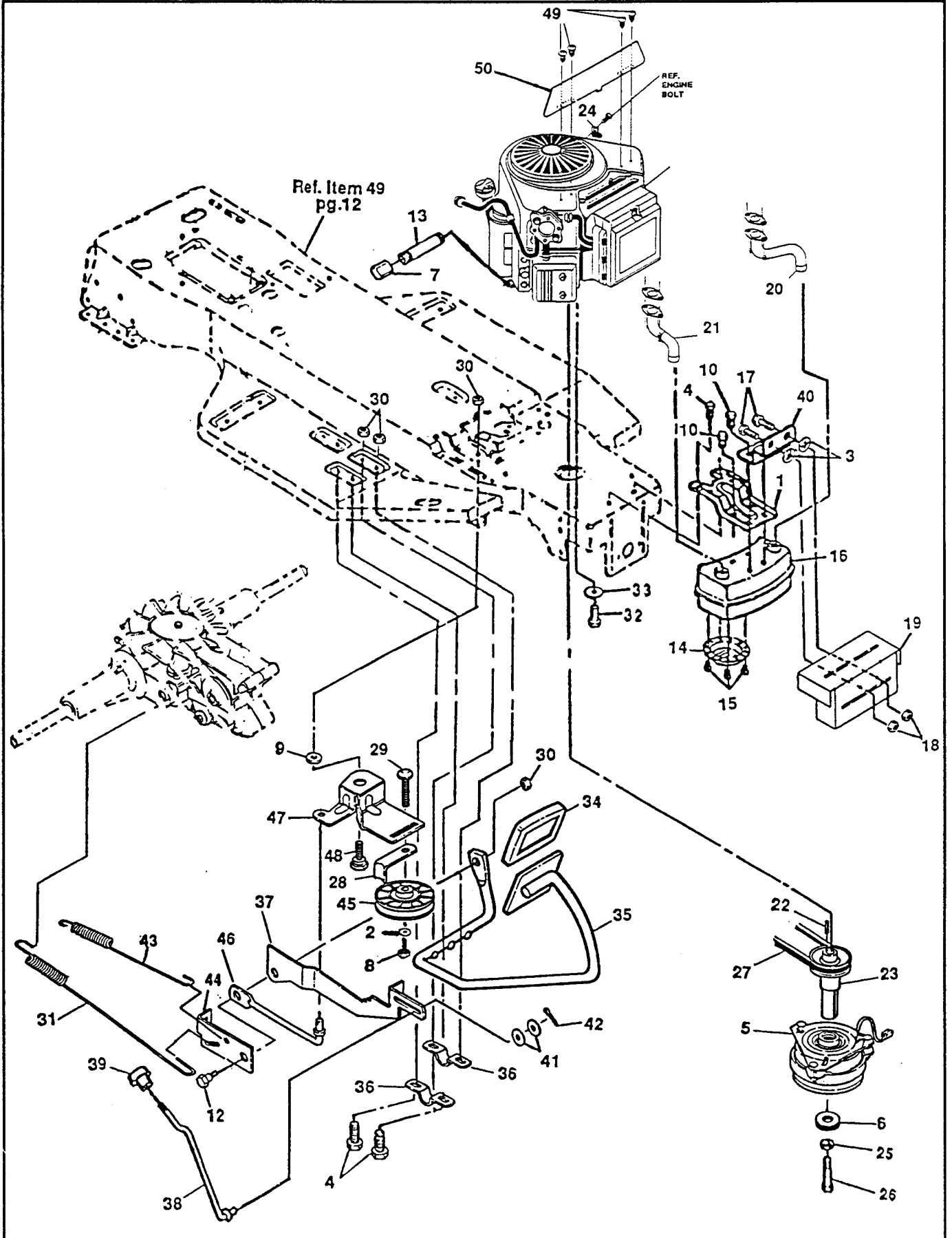
46" TRACTOR MODEL 4140H

Key No.	Part No.	Description	Key No.	Part No.	Description
1	6010008-73	Hood	40	6010006-68	Screw, Self-Tap, 1/4-20 x 1/2 In.
2	6010000-99	Shoulder Bolt, 5/16-18 Thd.	41	6010002-47	Cover
3	6010000-59	Nut, Hx, Ctrlk, 5/16-18 Thd.	42	6010001-92	Bushing, Upper Steering
4	6010003-04	Lens, Headlight	43	6010008-78	Dash, Upper
5	6010004-65	Assembly, Foot Pad L. H.	44	6010001-90	Steering Wheel
6	6010007-12	Heat Shield	45	6010005-48	Pin, Spring, 1/4 x 2 In.
7	6010001-14	Screw, Hx Hd, Plastite 1/4 x 3/4	46	6010002-74	Screw, Tap, 1/4-20 x 1/2 In.
8	6010002-72	Tank, Gas 1.5 W/ Sensor	47	6010000-24	Screw, Hx Hd, 1/4-20 x 5/8 In.
	6010002-71	Low Fuel Sensor	48	6010000-18	Washer, Flat, 9/32 In.
9	6010000-49	Cap, Fuel	49	6010000-62	Nut, Hx, Ctrlk, 1/4-20 Thd.
10	6010008-74	Bracket, Hood L. H.	50	6010001-49	Shaft, Steering5-
11	6010005-97	Screw, Hx Hd, Wd Fl 5/16-1 x 3/4 In.	51	6010001-64	Pin, Dowel
12	6010008-75	Bracket, Hood R. H.	52	6010001-51	Pinion, Steering
13	6010008-76	Front Axle W/Bearings & Spindles	53	6010001-63	Bearing, Flange
14	6010000-06	Screw, Hx Hd, 5/16-18 x 5/8 In.	54	6010005-19	Screw, 5/16-18x.50 Wahhtap
15	6010006-51	Grease Fitting	55	6010001-09	Washer, Flat, 1/2 In.
16	6010001-47	Bearing, Spindle	56	6010000-89	E-Ring
17	6010005-25	E-Ring	57	6010006-23	Ball, Joint, 3/8 Thd.
18	6010000-60	Nut, Hx, Ctrlk, 3/8-16 Thd.	58	6010004-06	Ratchet Fastener
19	6010002-55	Spindle, R. H.	59	6010003-07	Plug, Front Axle
20	6010000-15	Washer, Split, Lock 3/8 In.	60	6010000-57	Washer, Internal Tooth
21	6010000-10	Nut, Hex, 3/8-24 Thd.	61	6010005-56	Wide Trim 18"
22	6010001-48	Steering Arm, Upper	62	6010003-02	Grille
23	6010006-70	Washer, Flat, 25/64 In.	63	6010001-22	Belt Guide
24	6010001-19	Assembly, Tie Rod	64	6010004-17	Screw, #4-24 x 1/2 In.
25	6010002-54	Spindle, L.H.	65	6010003-03	Clip, Tinnerman
26	6010000-77	Screw, Hx Hd, 3/8-16 x 2-1/2In.	66	6010003-97	Decal, Reflector
27	6010007-08	Support Bracket, Front Axle	67	6010001-13	Screw, # 10 x 1/2 In.
28	6010000-37	Screw, Hx Hd, 3/8-16 x 3 In.	68	6010007-30	Bracket, Stop
29	6010000-98	Washer, Spring	69	6010008-79	Bumper/Hood
30	6010005-95	Nut, Hx, Wd Fl Lk, 5/16-18 Thd.	70	6010005-91	Screw, Hex Wd Fl, 5/16-18 x 3/4 In.
31	6010006-45	Washer, Flat, 3/4 In.	71	6010000-57	Washer, Internal Tooth
32	^	Wheel & Tire Assembly, Front			
	6010009-47	Tire, 20X20X8			
	6010008-77	Wheel			
	6010000-96	Valve Stem			
	6010004-58	Bearing			
33	6010001-80	Drag Link			
34	6010000-48	Nut, Hx, Jam, 3/8-24 Thd.			
35	6010002-90	Hubcap, Front			
36	6010002-94	Clip, Hubcap			
37	6010004-64	Assembly, Foot Pad R. H.			
38	6010007-00	Dash, Lower			
39	6010005-44	Screw, Tap, 5/16-18 x 3/8 In.			

(^) Order Parts Individually

TRACTOR REPAIR PARTS

46" TRACTOR MODEL 4140H



TRACTOR REPAIR PARTS

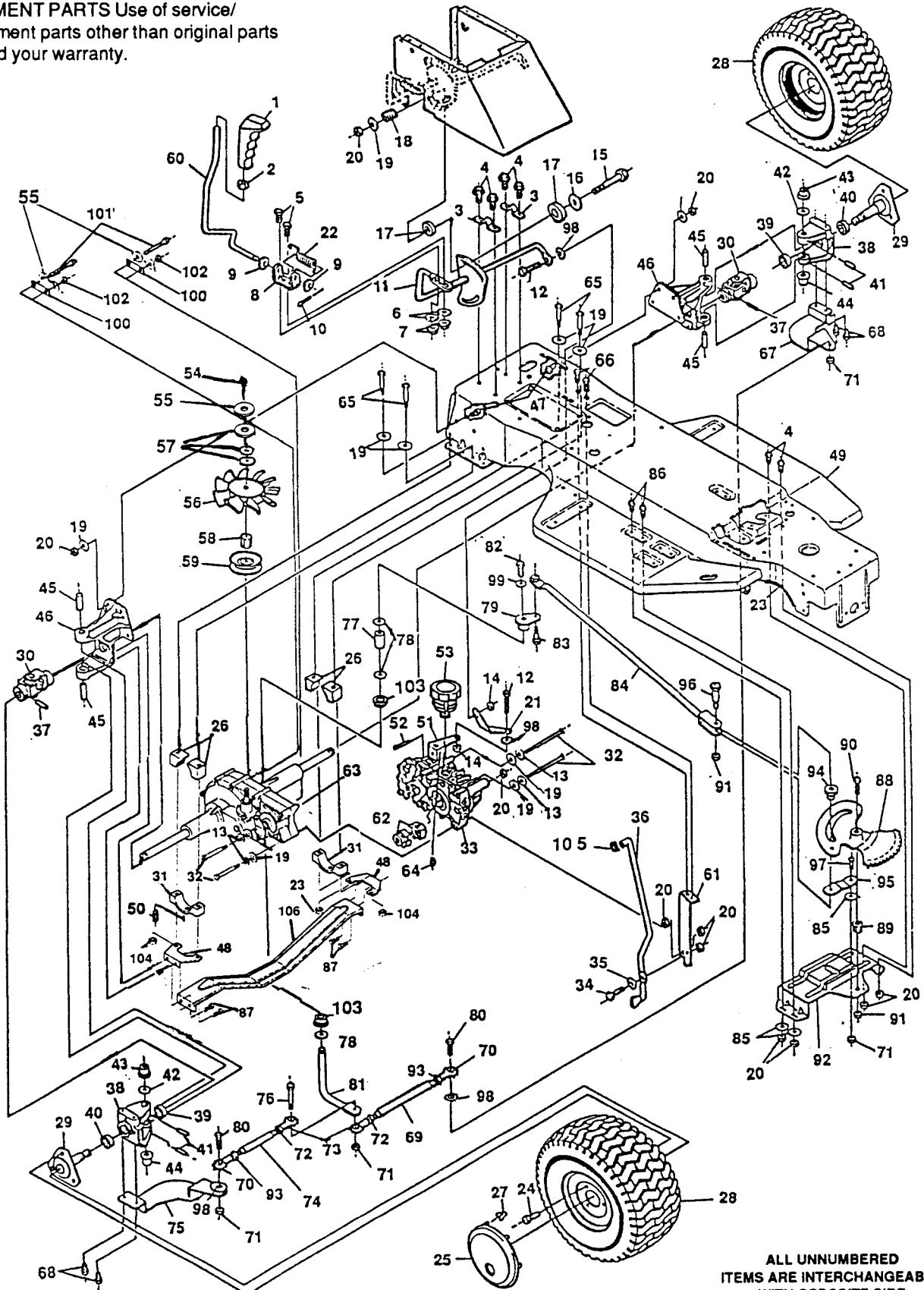
46" TRACTOR MODEL 4140H

Key No.	Part No.	Description	Key No.	Part No.	Description
1	6010007-11	Muffler Bracket	39	6010002-19	Knob, Parking Brake
2	6010000-15	Washer, Reg. Split Lock	40	6010006-66	Transaxle Brkt.
3	6010003-55	Pushnut, 5/16 Bolt Retainer	41	6010000-17	Flatwasher, .250 x .56 x .04
4	6010005-19	Screw, 5/16-18 x 1/2	42	6010000-25	Cotter Pin
5	6010003-43	Electric Clutch	43	6010004-55	Electric Clutch Spring
6	6010008-80	Bushing, Sleeve Sector Gear	44	6010003-83	Bracket-Brake, Neutral
7	6010005-57	Pipe Cap	45	6010001-85	Idler Pulley
8	6010000-13	Nut, 3/8-16 Thd.	46	6010004-60	Clutch Rod
9	6010005-47	Flatwasher, .333 x .87 x .119	47	6010004-61	Idler Arm
10	6010006-67	Screw, 1/4-20 x 5/9 In.	48	6010003-87	Bolt, Shoulder, 5/16-18
11	ENGINE		49	6010008-83	Screw, 10-16x.50 Drillite
12	6010003-72	Bolt, Shoulder 5/16-18	50	6010008-84	Heat Shield
13	6010003-09	Nipple, 3/8-18			
14	6010006-14	Deflector Side Out			
15	6010005-15	Screw, #8-32 x .3/8			
16	6010002-64	Muffler			
17	6010000-52	Bolt, 5/16-18x5/8			
18	6010005-95	Nut, 5/16-18			
19	6010008-81	Heat Shield			
20	6010002-66	Tube, Muffler Exhaust, L.H.			
21	6010002-65	Tube, Muffler Exhaust R.H.			
22	6010002-67	Key, Square			
23	6010003-54	Engine Pulley Assembly			
24	6010006-31	Wire Retainer			
25	6010000-16	Lockwasher, .459 x .78x.12			
26	6010000-91	Screw, 7/16-20 x 51/2 In.			
27	6010003-88	Hydro Traction Belt			
28	6010005-28	Retainer Belt			
29	6010005-51	Screw, 3/8-16x1-1/2 In.			
30	6010000-59	Nut, 5/16-18			
31	6010003-69	Spring, Hydro Brake			
32	6010005-73	Screw, 7/16-20 x 51/2 In.			
33	6010000-56	External Lockwasher			
34	6010008-82	Clutch Brake Pad			
35	6010007-24	Clutch Brake Weld Assy.			
36	6010004-42	Clutch Brake Arm Bracket			
37	6010003-84	Park Brake Lever			
38	6010002-14	Parking Brake Rod			

TRACTOR REPAIR PARTS

46" TRACTOR MODEL 4140H

NOTE: ALWAYS USE ORIGINAL EQUIPMENT PARTS Use of service/ replacement parts other than original parts may void your warranty.



ALL UNNUMBERED
ITEMS ARE INTERCHANGEABLE
WITH OPPOSITE SIDE

TRACTOR REPAIR PARTS

46" TRACTOR MODEL 4140H

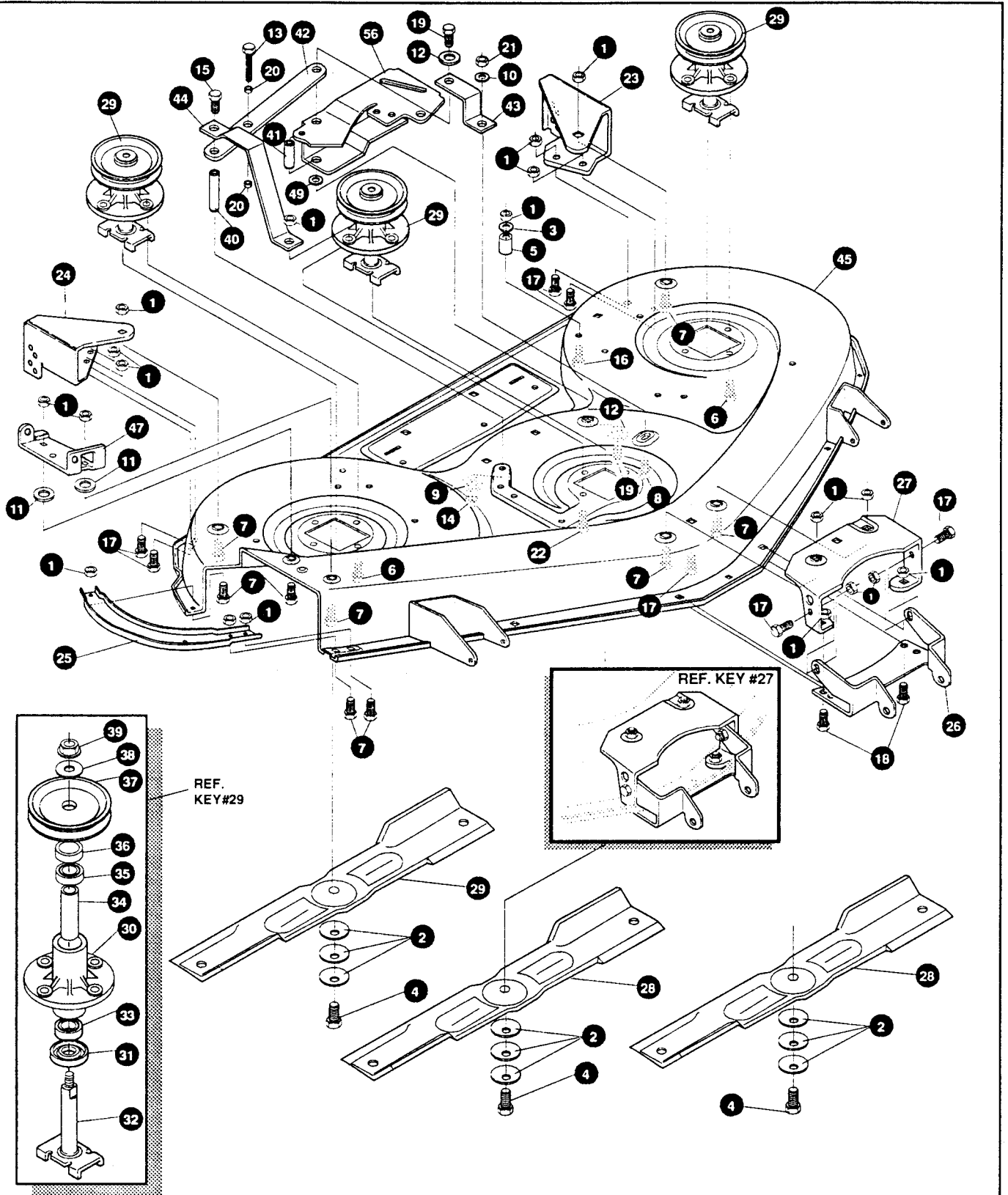
Key No.	Part No.	Description	Key No.	Part No.	Description
1	6010002-37	Handle, Deck Engage Lever	54	6010000-67	Screw, 1/4-20x.62 Hhc
2	6010000-08	Nut, 1/2-13 Jam	55	6010000-14	Washer, Split Lock
3	6010004-42	Bracket, Clutch/Brake Arm	56	6010003-38	Fan
4	6010005-19	Screw, 5/16-18 x 1/2 In.	57	6010008-87	Washer, flat .28x1.38x.07
5	6010000-67	Screw, 1/4-20 x .62 In.	58	6010003-74	Nut, Pulley 1/2-20 and 1/4-20
6	6010000-18	Flatwasher	59	6010003-75	Pulley, Assy. Hydro
7	6010005-75	Nut, 1/4-20	60	6010003-80	Shift Rod
8	6010003-94	Bracket, Shift	61	6010003-77	Stabilizer Bracket
9	6010006-54	Washer, Flat	62	6010008-88	Coupling
10	6010000-25	Pin, Cotter	63	*	Transaxle
11	6010007-27	Shift Rod Assembly	64	6010000-01	Set Screw
12	6010000-33	Screw, 3/8-16 x 1-1/4 In.	65	6010008-89	Screw, 5/16-18x2.50 Hhc
13	6010000-23	Washer	66	6010000-72	Screw, 5/16-18x.63 Hhc
14	6010000-60	Nut, 3/8-16 Thd.	67	6010007-10	Arm, Rear Wheel Steer, L. H.
15	6010000-32	Screw, 5/16-18 x 2 In.	68	6010008-90	Screw, 3/8-16x1.00 Wahhtap Blk
16	6010006-56	Washer, Flat	69	6010004-51	Tie Rod, L.H.
17	6010005-66	Washer, Friction	70	6010003-33	Tie Rod End, L. H.
18	6010001-08	Spring	71	6010005-32	Nut, Hex, Ctrk, 3/8-24
19	6010000-19	Washer, Flat	72	6010000-48	Nut, Hex Jam, 3/8-24
20	6010000-59	Nut, 5/16-18 Thd.	73	6010002-17	Rod, End
21	6010003-80	Shift Link	74	6010004-52	Tie Rod End, R. H.
22	6010003-92	Spring, Torsion	75	6010007-09	Arm, Rear Wheel Steer, R. H.
23	6010005-56	Trim	76	6010000-82	Screw, 3/8-24 x 1 3/4 In.
24	6010000-44	Screw, Hx Hd, 1/2-20 x 1/2 In.	77	6010004-50	Spacer
25	6010002-91	Hubcap, 8 In.	78	6010001-00	Washer, Lat 49/64 In.
26	6010004-04	Mounting Block	79	6010003-40	Steering Pivot
27	6010002-94	Clip, Hubcap	80	6010000-81	Screw, 3/8-24 x 1 1/4 In.
28	^	Tire and Wheel Assembly	81	6010004-54	Shaft, Steering Pivot
	6010009-44	Tire, 15X6.0X6	82	6010005-36	Screw 5/16-24 x 1 In.
	6010000-46	Wheel	83	6010000-41	Bolt, Shoulder 3/8-24
	6010000-96	Valve System	84	6010004-49	Rod Assembly, Rear Wheel Steer
29	6010004-67	Hub Assembly	85	6010005-41	Washer, Flat 3/8 In.
30	6010008-85	U-Joint Assembly	86	6010005-20	Screw, Self-Tap 5/16-18 x 3/8 In.
31	6010003-79	Mounting Block	87	6010005-70	Screw, 5/16-18x.88 Wahhtap
32	6010000-85	Screw, 5/16-18 x 4-1/2 In.	88	6010001-75	Assembly Sector Gear
33	6010003-81	Hydrostatic Pump	89	6010001-76	Bushing, Sector Gear
34	6010003-73	Shoulder Bolt	90	6010002-18	Screw, 1/2-20 x 2 3/8 In.
35	6010000-98	Washer	91	6010001-07	Nut, Hx, Ctrk 1/2-20
36	6010003-85	Rod- Relief Valve	92	6010007-18	Plate, 4-Wheel Steer Pivot
37	6010005-22	Pin, Grooved, 1/4 x 1 1/2 In.	93	6010003-34	Nut, Jam 3/8-24
38	6010004-68	Bracket, Steering Pivot, Outer	94	6010002-03	Cam Yoke Roller
39	6010000-43	Bearing	95	6010001-69	Arm, Roller Swing
40	6010004-69	Bearing	96	6010002-05	Shoulder Bolt, Cam Roller
41	6010005-50	Pin, Spring 1/4 x 1 1/2 In.	97	6010001-67	Shoulder Bolt, Cam Follower Arm Pivot
42	6010000-92	Washer, Flat	98	6010000-15	Washer, Split Lock
43	6010000-38	Bushing, Shouldered	99	6010005-47	Washer Flat
44	6010000-42	Bushing, Shouldered	100	6010004-59	Bracket, Rear Pivot
45	6010000-39	Pin, Steering Hinge	101	6010008-91	Screw 1/4-20 x 3/4 In
46	6010000-47	Bracket, Steering Pivot, Inner	102	6010000-11	Nut 1/4-20
47	6010000-29	Screw, Hx Hd , 5/16-18 x 1 In.	103	6010001-47	Bearing Spindle
48	6010007-33	Bracket, Transaxle Mounting	104	6010005-40	Nut, 5/16-18 Locknut
49	6010008-86	Main Frame	105	6010008-92	Cap, Memory Rod .38ID x.75
50	6010000-58	Screw, #10-32 x 1/4 In.	106	6010008-93	Hydro Brace
51	6010003-78	Armspeed Control			
52	6010005-49	Pin, Spring			
53	6010004-01	Reservoir, Hydro			

(^) Order Parts Individually

(*) See Transaxle Breakdown Pages

TRACTOR REPAIR PARTS

46" TRACTOR MODEL 4140H



NOTE: ALWAYS USE ORIGINAL EQUIPMENT PARTS Use of service/ replacement parts other than original parts may void your warranty.

ALL UNNUMBERED ITEMS ARE INTERCHANGEABLE WITH OPPOSITE SIDE

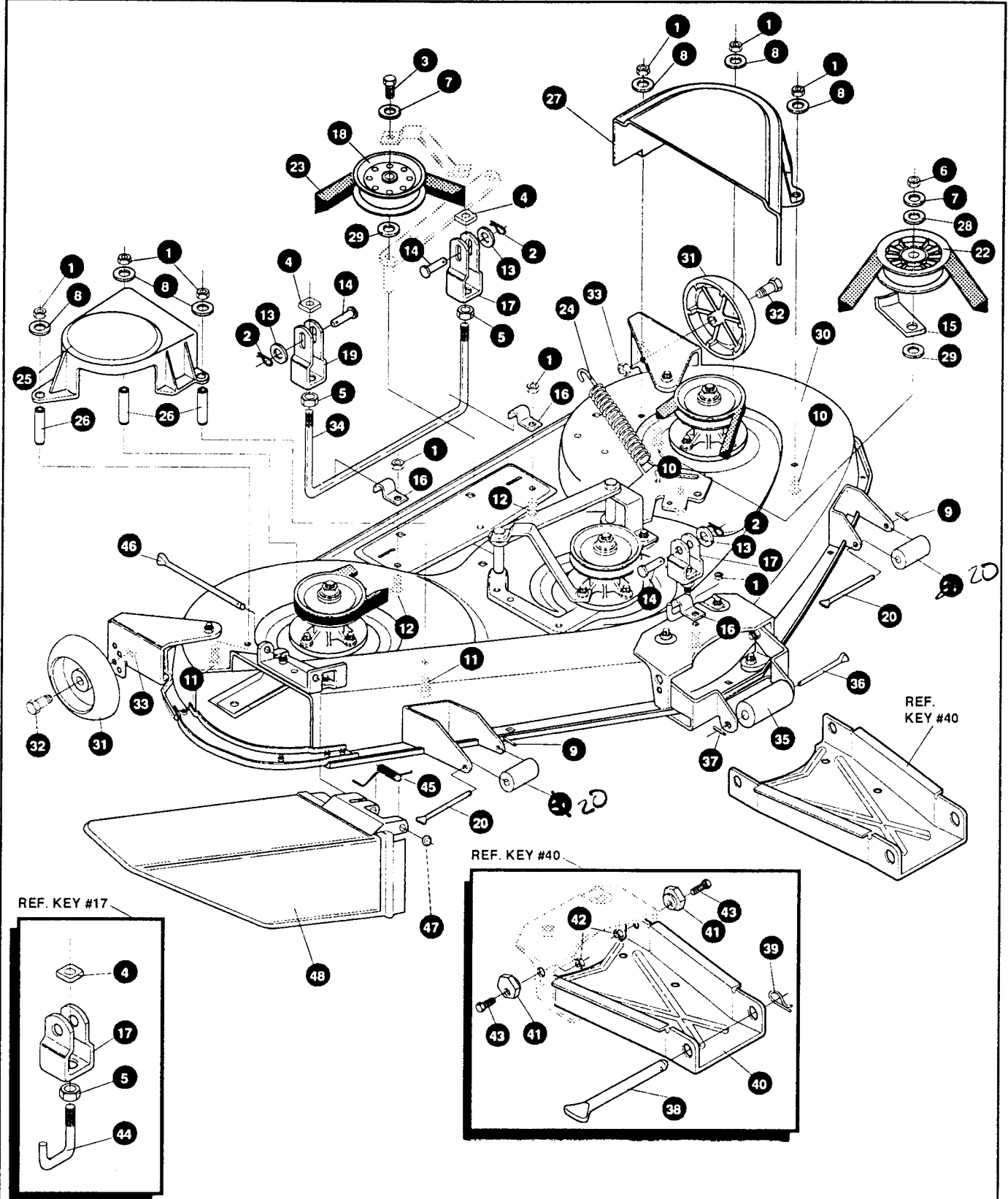
TRACTOR REPAIR PARTS

46" TRACTOR MODEL 4140H

Key No.	Part No.	Description
1	6010000-59	NUT, 5/16-18 REGHEXCTRLK
2	6010000-98	WASHER, .39IDX 1.25DX .07
3	6010005-13	WASHER, FLAT .328X 1.06X .062
4	6010005-27	SCREW, 3/8-24X 1.00 NYLHH
5	6010005-68	SPACER
6	6010005-70	SCREW, 5/16-18X .88 WAHHTAP
7	6010008-94	BOLT, 5/16-18X .63 CARR
8	6010008-95	BOLT, 3/8-16X .75 CARR
9	6010000-15	WASHER, REGSPTLK .393X .68X .10
10	6010000-20	WASHER, FLAT .406X .81X .065
11	6010008-96	WASHER, FLAT .469X .92X .065
12	6010000-23	WASHER, HVSPCLK .328X .60X .09
13	6010008-97	SCREW, 1/4-20X 1.75 HHC
14	6010008-98	SCREW, 3/8-16X .75 HHC
15	6010000-36	SCREW, 3/8-16X 2.50 HHC
16	6010008-99	BOLT, 5/16-18X 1.00 CARR
17	6010000-72	SCREW, 5/16-18X .63 HHC
18	6010000-74	SCREW, 5/16-18X 1.00 HHC
19	6010000-79	SCREW, 5/16-24X .88 HHC
20	6010001-02	NUT, 1/4-20 REGHEXCTRLK
21	6010001-04	NUT, 3/8-16 HEXKEPS
22	6010001-21	SCREW, 5/16-18X 1.38 WATAP
23	6010001-52	MS BRKT GAUGE WHEEL LH
24	6010001-53	MS BRKT GAUGE WHEEL RH
25	6010001-74	MS BRACE, SKID
26	6010009-00	MS BRKT, MOUNTING 46" DECK
27	6010003-52	MS LIFT SUPT. BRKT
28	6010003-60	BLADE, 16.13 HIGH-LIFT
29	6010009-01	SF QUILL 46" DECK W/ZERKS
30	6010009-02	QUILL CASTING 46" DECK
31	6010005-69	MS DUST SHIELD
32	6010009-03	WS SHAFT/SADDLE 46" DECK
33	6010000-50	BRNG, BALL .669IDX 1.574ODX .47
34	6010009-04	SPACER, SLEV .669X .88X 4.281
35	6010000-50	BRNG, BALL .669IDX 1.574ODX .47
36	6010009-05	SPACER QUILL, 46" DECK
37	6010009-06	46" QUILL PULLEY SPLIT-STEEL
38	6010009-07	WASHER, SPECIAL QUILL 46"
39	6010000-53	NUT, 7/16-20 WDFLLK
40	6010009-08	SUPPORT SHAFT
41	6010009-09	IDLER SHAFT 46" DECK
42	6010009-10	SUPPORT, STRAP
43	6010009-11	BRACKET, IDLER SUPPORT
44	6010009-12	BRACKET, PULLEY SUPPORT
45	6010009-13	WS MOWER DECK 46" SD
46	6010009-14	MS/MP IDLER ARM 40/43/46
47	6010009-15	MS BRKT CHUTE MOUNT 46"
48	6010009-16	WASHER, FLAT .531X 1.06X .063

TRACTOR REPAIR PARTS

46" TRACTOR MODEL 4140H



ALL UNNUMBERED
ITEMS ARE INTERCHANGEABLE
WITH OPPOSITE SIDE

**NOTE: ALWAYS USE ORIGINAL
EQUIPMENT PARTS** Use of service/
replacement parts other than original
parts may void your warranty.

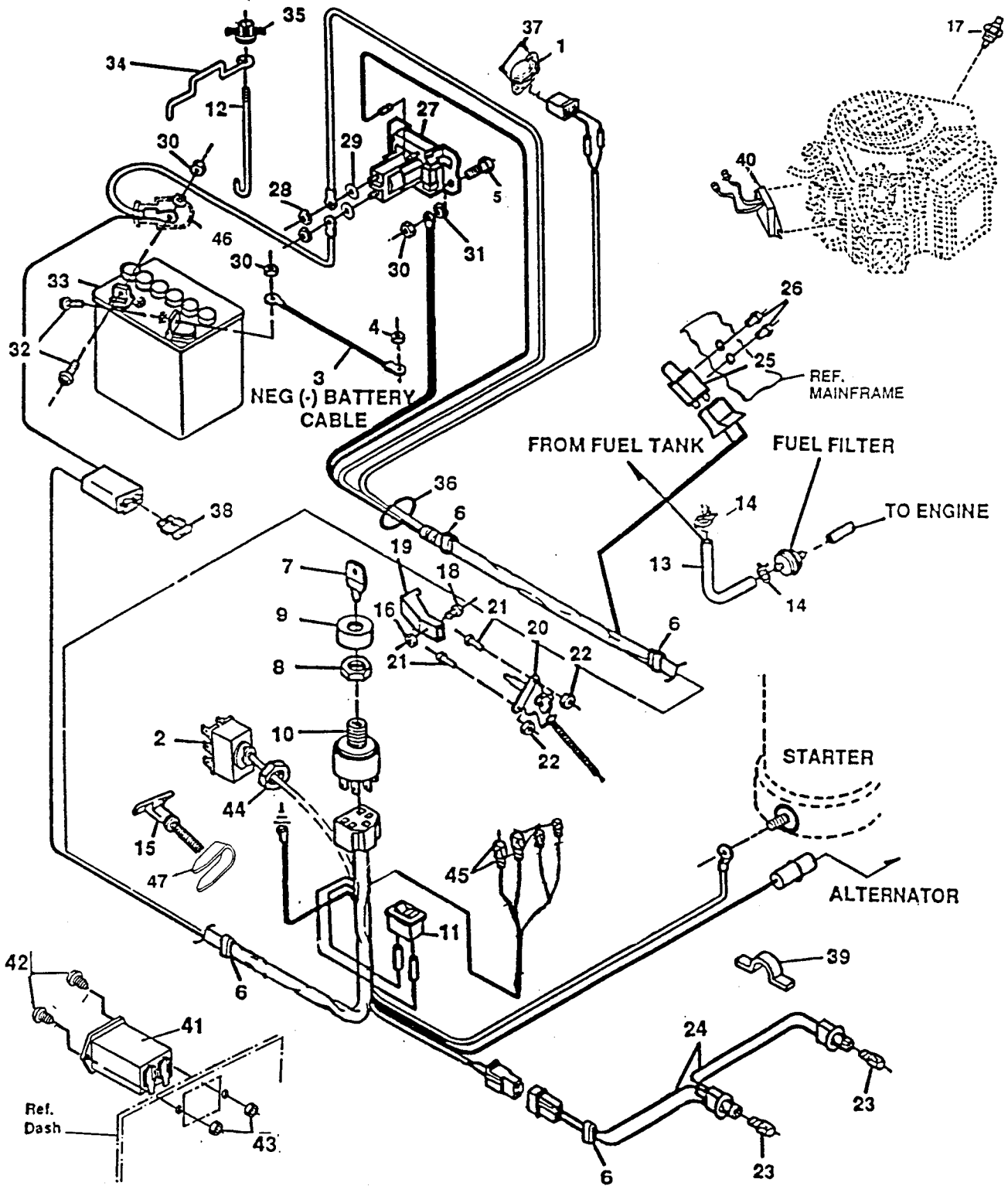
TRACTOR REPAIR PARTS

46" TRACTOR MODEL 4140H

Key No.	Part No.	Description
1	6010000-59	NUT, 5/16-18 REGHEXCTRLK
2	6010006-04	PIN, HAIR .091 DIA X 1.62 LG
3	6010006-27	BOLT, 3/8-16 X 2.00 CARR
4	6010000-04	NUT, 1/2-13 X .458 SQ
5	6010000-08	NUT, 1/2-13 HEXJAM
6	6010000-13	NUT, 3/8-16 REGHX
7	6010000-15	WASHER, REGSPLTLK .393 X .68 X .10
8	6010000-19	WASHER, FLAT .344 X .69 X .065
9	6010000-25	PIN, COTTER .090 X .086 X .75 LG
10	6010000-52	BOLT, 5/16-18 X .63 CARR
11	6010009-17	BOLT, 5/16-18 X 2.00 CARR
12	6010000-72	SCREW, 5/16-18 X .63 HHC
13	6010001-06	WASHER, FLAT .406 X .73 X .063
14	6010001-18	PIN, CLEVIS .38 DIA X .81 LG
15	6010001-24	ML GUIDE, BELT, RETAINER 2.55 OD 953
16	6010001-31	MS CLIP, 953
17	6010009-18	ML CLEVIS, 953
18	6010001-84	PULLEY, IDLER BFF 4.00 DIA
19	6010002-48	ML CLEVIS, SLOTTED EURO
20	6010009-20	ROD SUPPORT, ZING
21	6010009-21	ROLLER, 3X .515 I.D. X 2.5 OD
22	6010003-91	PULLEY, IDLER BFF 4.00 WIDE FL
23	6010009-21	BELT, V 5L 129LG 46" EURO
24	6010009-22	SPRING, 46" ELECT/CLUTCH
25	6010009-23	GUARD BELT, R.H. 46" DECK
26	6010009-24	SPACER, GUARD 46" LF/ EURO
27	6010009-25	GUARD, BELT LH PLASTIC
28	6010005-41	WASHER, FLAT .375 X .88 X .082
29	6010006-70	WASHER, FLAT .391 X 1.00 X .125
30	6010009-26	SD DECK 46" PRE-PAINT
31	6010001-70	WHEEL GAUGE
32	6010000-95	BOLT, .500 X 1.39 HSSH
33	6010000-60	NUT, 3/8-16 REGHEXCTRLK
34	6010009-27	ROD, LIFT 46" DECK LG
35	6010009-28	ROLLER, 6X .515 1.0 X 2.5 OD
36	6010009-29	ROD SUPPORT
37	6010009-30	PIN, COTTER .125 DIA X 1.00
38	6010001-83	ROD, DRAWBAR
39	6010006-04	PIN, HAIR .091 DIA X 1.62 LG
40	6010004-02	CHANNEL DRAW BAR
41	6012006-39	NUT, ADJUSTING
42	6010000-59	NUT, 5/16-18 REGHEXCTRLK
43	6010000-74	SCREW, 5/16-18 X 1/00 HHC
44	6010003-62	ROD, REAR DECK SHORT
45	6010004-66	SPRING, CHUTE TORSION
46	6010002-46	PIVOT ROD .312 X 6.12
47	6010003-55	PUSH NUT, 5/16 BOLT RETAINER
48	6010002-39	CHUTE, DISCHARGE 46"

TRACTOR REPAIR PARTS

46" TRACTOR MODEL 4140H



NOTE: ALWAYS USE ORIGINAL EQUIPMENT PARTS Use of service/ replacement parts other than original parts may void your warranty.

ALL UNNUMBERED ITEMS ARE INTERCHANGEABLE WITH OPPOSITE SIDE

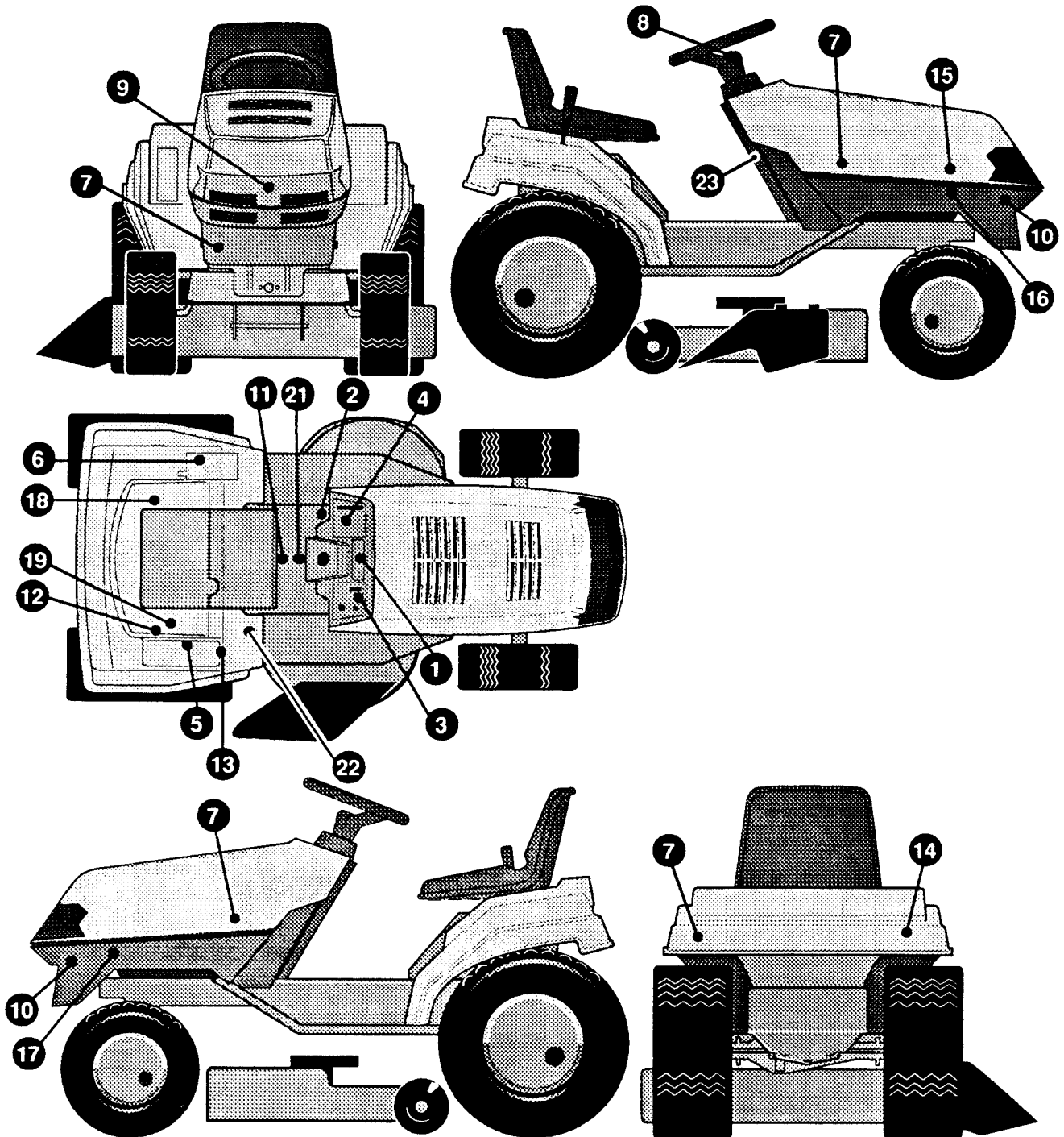
TRACTOR REPAIR PARTS

46" TRACTOR MODEL 4140H

Key No.	Part No.	Description	Key No.	Part No.	Description
1	6010006-29	Seat Switch	26	6010006-26	Screw, Pn Hd, Tap #12 x 1/2 In.
2	6010003-51	Switch, Elec/Clutch Actuator	27	6010004-05	Solenoid
3	6010005-96	Cable, Battery, Negative	28	6010000-09	Nut, Hx 5/16-24 Thd.
4	6010001-03	Nut, Hx, Keps, 5/16-18 Thd.	29	6010000-55	Washer, Lock 5/16 In.
5	6010000-83	Screw, 1/4-20 x 3/4 in.	30	6010001-02	Nut, Hx, Keps, 1/4-20 Thd.
6	6010006-28	Tie Cable	31	6010000-62	Nut, Hx, Ctrlk, 1/4-20 Thd.
7	6010001-23	Key, Ignition Switch	32	6010000-24	Screw , 1/4-20 x .63
8	6010001-11	Nut, Switch	33	6010002-95	Battery
9	6010001-12	Boot, Switch	34	6010001-82	Bracket, Battery Hold-Down
10	6010002-70	Switch, Ignition	35	6010003-71	Wingnut, 1/4-20 Thd.
11	6010001-20	Switch, Light	36	6010004-80	Wiring Harness
12	6010006-30	Rod, Battery Hold-Down	37	6010000-65	Screw, 1/4-20 x 3/8
13	6010005-55	Gas Line, 10" (cut to length)	38	6010001-28	Fuse, 15A-32V
14	6010005-61	Clamp, Gas Line	39	6010005-34	Press Clip
15	6010003-08	Choke Control	40	6010004-73	Regulator, Sen Volt B & S With Sensor
16	6010000-22	Nut, Hex, #8-32 Thd.	41	6010002-40	Miniature Hour Meter
17	6010004-62	Oil Sensor, B & S Twin Cycle	42	6010009-32	Screw, #6-32x.50 Phpnma Crss
18	6010000-63	Screw, Ph Pn, #8-32 x 3/8 In.	43	6010001-05	Nut, #6-32
19	6010002-26	Knob, Throttle Control	44	6010004-45	Nut
20	6010003-11	Throttle Control	45	6010006-33	Indicator Bulb
21	6010009-31	Screw, 10-24x.63 Phnma Crss	46	6010003-23	Boot, Rubber (Battery Cable)
22	6010003-37	Nut, Hx, Nylon Lock, #10-24 Thd.	47	6010009-33	Clip, Choke Control
23	6010005-89	Bulb Headlamp			
24	6010001-86	Assembly, Light Wire			
25	6010006-91	Switch			

TRACTOR REPAIR PARTS

46" TRACTOR MODEL 4140H



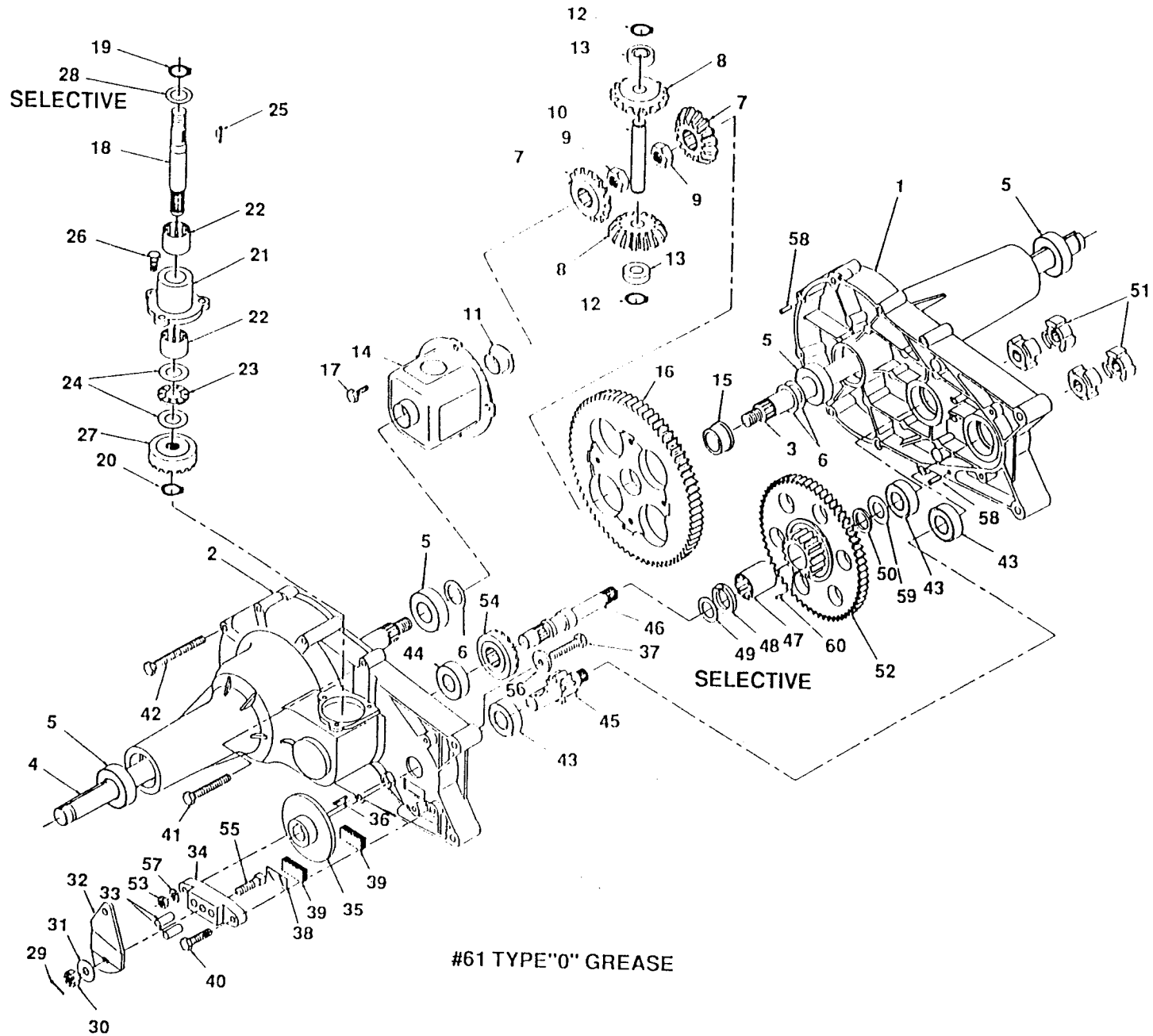
NOTE: ALWAYS USE ORIGINAL EQUIPMENT PARTS Use of service/ replacement parts other than original parts may void your warranty.

ALL UNNUMBERED ITEMS ARE INTERCHANGEABLE WITH OPPOSITE SIDE

TRACTOR REPAIR PARTS

46" TRACTOR MODEL 4140H

key#	part#	description	qty.
1.	6010003-10	DECAL, DASH, CHG, OIL, FUEL, ALL SYS	1
2.	6010009-34	DECAL, DASH RH ISO	1
3.	6010009-35	DECAL, DASH LEFT ENGLISH	1
4.	6010009-36	DECAL INSTR FRENCH(CAN) ERO LT	1
5.	6010003-99	DECAL SPEED HYDRO SIGNATURE	1
6.	6010004-04	DECAL-DECK HEIGHT EURO ELEC/CL	1
7.	6010004-10	DECAL, FENDER REAR, HOOD HYSQ.	4
8.	6010004-11	DECAL, GUNSIGHT CENT. STEER	1
9.	6010004-12	DECAL, GUNSIGHT CLEAR BACK	1
10.	6010004-13	DECAL, WHEEL 4 STEER HUSQ.	2
11.	6010009-37	DECAL, INSTRUC CONSOLE TOP	1
12.	6010004-38	DECAL, 4WS PATENT NO. 5048853	1
13.	6010004-47	DECAL, DEPRESS CL/BRAKE	1
14.	6010004-90	DECAL, HYDROSTATIC	1
15.		REFERENCE ONLY	2
16.	6010004-92	DECAL, PIN STRIPE RH	1
17.	6010004-93	DECAL, PIN STRIPE LH	1
18.	6010009-38	DECAL, RELIEF VALVE OPERATION	1
19.	6010009-39	DECAL, MODEL GENERIC HUSQ USA	1
20.		REFERENCE ONLY	1
21.	6010009-41	DECAL, OPER. INSTR. ERO TOP FRAME	1
22.	6010009-42	DECAL, DANGER FRENCH	1
23.	6010009-43	DECAL, PARK BRAKE	1



HYDROSTATIC TRANSAXLE

Ref.	Part #	Description	Qty.
	*324090	ASS'Y, HOUSING HALF LH	
1	^	HOUSING HALF L.H.	1
5	^	BEARING, BALL 3/4ID X 40MM OD X 12 MM	2
43	^	BEARING, BALL	2
	*324092	ASS'Y, HOUSING HALF RH	
2	^	HOUSING HALF RH	1
5	^	BEARING, BALL 3/4ID X 40MM OD X 12 MM	2
43	^	BEARING, BALL	1
44	^	BEARING, BALL	1
	*324093	ASS'Y, DIFFERENTIAL/AXLE	
3	^	AXLE L.H. 3/4"	1
4	^	AXLE R.H. 3/4"	1
6	^	WASHER, FLAT 3/4ID X 1-1/8OD X .025 THK	3
7	^	GEAR, MITER	2
8	^	GEAR, MITER	2
9	^	NUT, HEX JAM W/PATCH 1/2-20	2
10	^	SHAFT, CROSS	1
11	^	BEARING, FL 3/4 ID X 7/8 OD	1
12	^	SNAP RING	2
13	^	BEARING, THRUST	2
14	^	HOUSING DIFFERENTIAL	1
15	^	BEARING, FLANGE	1
16	^	GEAR, DIFFERENTIAL 72 TOOTH	1
17	^	LOCKING BOLT, 1/4-28 X 9/16" LG	4
	*324095	ASS'Y, INPUT PINION HSG	
18	^	SHAFT, INPUT	1
19	^	SNAP, RING	1
20	^	RING, RETAINING 7/16" DIA. EXT.	1
21	^	HOUSING, INPUT BEARING	1
22	^	BEARING, NEEDLE	2
23	^	BEARING, THRUST	1
24	^	WASHER, FLAT 5/8ID X 1-1/4OD X .030 THK.	2
25	^	KEY, HI-PRO 3/32 X 5/8 DIA.	1
26	^	SCREW, HEX W/PATCH 1/4-20 X 3/4 LONG	3
27	^	GEAR, INPUT PINION 17 TOOTH	1
28	^	WASHER, FLAT .62ID X 1.0 OD X .050 THK.	1
----	^	WASHER, FLAT .62ID X 1.0 OD X .040 THK.	AR

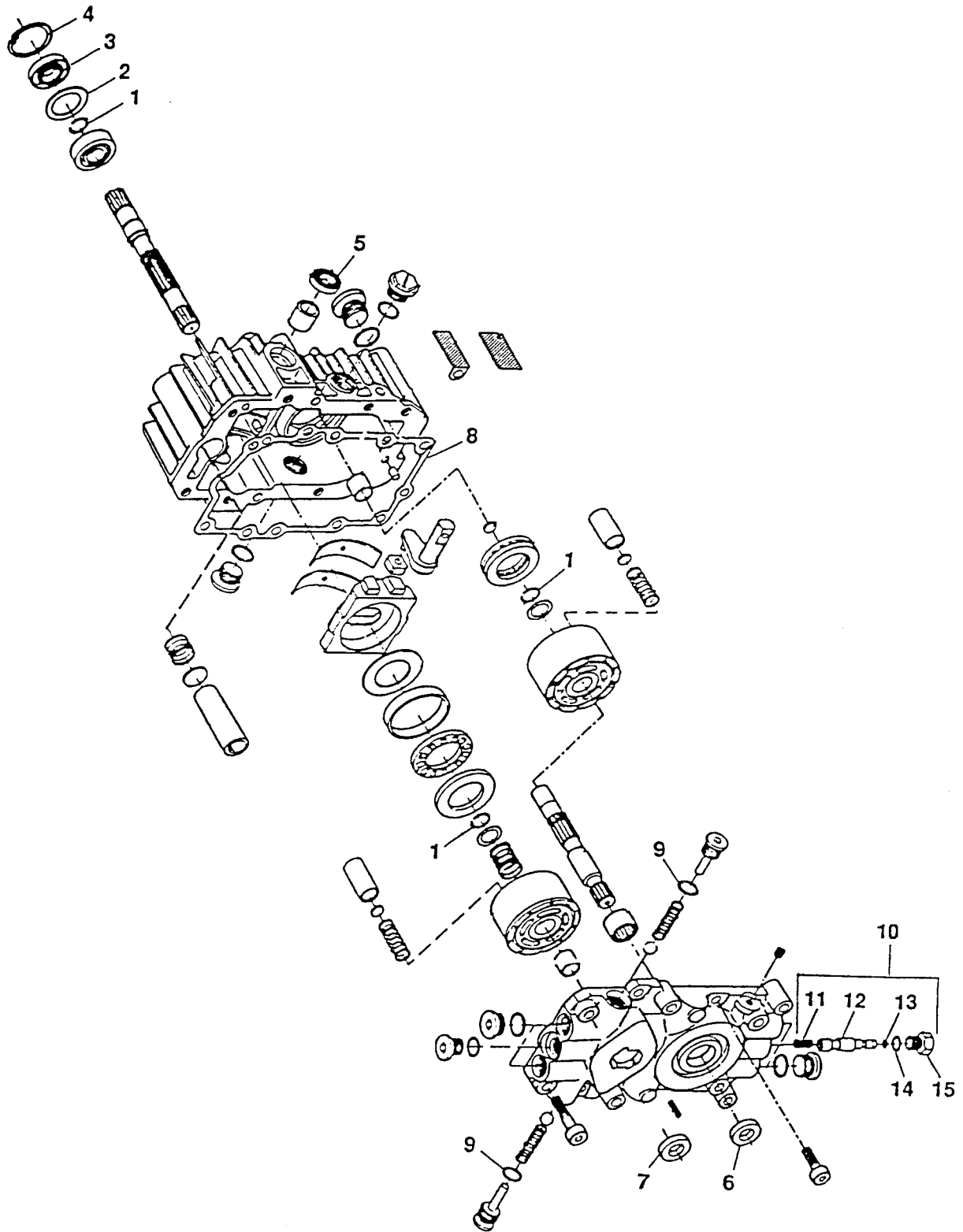
Ref.	Part #	Description	Qty.
	*324096	ASS'Y, REDUCTION GEAR	
47	^	BEARING, NEEDLE	
48	^	BRONZE THRUST BRG 5/8ID X 1-1/4OD X 7/64 THK.	1
49	^	WASHER, FLAT .62ID X 1.0 OD X .050 THK.	1
----	^	WASHER, FLAT .62ID X 1.0 OD X .040 THK.	AR
50	^	GREASE, SEAL BRONZE	1
52	^	GEAR, 60 AND 17 TOOTH	1
59	^	WASHER, FLAT .62ID X 1.0 OD X .030 THK.	1
60	^	PIN, DOWEL	1
25	323688	KEY, HI-PRO 3/32 X 5/8 DIA.	1
29	323671	PIN, COTTER	1
30	323691	NUT, CASTLE 5/16-24	1
31	323684	WASHER, FLAT .343ID X .88OD X .062 THK.	1
32	323665	ARM, BRAKE ACTUATOR	1
33	323681	PIN, BRAKE ACTUATING	2
34	324088	BRAKE, YOKE	1
35	323663	DISC, BRAKE	1
36	323692	KEY, HI-PRO 3/16 X 5/8" DIA.	1
37	324092	SCREW, HEX 1/4-20 X 1.50 LONG	1
38	323687	PLATE, PUCK	1
39	323685	PUCK, BRAKE	2
40	323711	SCREW, HEX W/PATCH 1/4-20 X 1.00 LG	1
41	323677	SCREW, HEX SELF-TAP 1/4-20 X 2.00 LG	2
42	323678	SCREW, HEX SELF-TAP 1/4-20 X 3.00 LG	4
45	323660	SHAFT, PINION W/11 TOOTH GEAR	1
46	323656	SHAFT, DRIVE	1
51	323661	COUPLING	4
53	323650	NUT, HEX 1/4-20	1
54	323655	GEAR, DRIVE PINION 17 T.	1
55	324088	BOLT, SQUARE HEAD	1
56	323703	WASHER, 15/16OD X .265ID X .125 THK.	1
57	323649	WASHER, 1/4" SPRING LOCK	1
58	323699	PIN, ROLL 3/16" DIA X 1/2" LG	2
61	324089	TYPE "O" GREASE (10 OZ. TUBE) (20 OZ. REQ'D)	2

AR = AS REQUIRED

* = THESE SOLD BY ASSEMBLY ONLY.

^ = THIS IS NOT A SERVICEABLE PART

HYDROSTATIC PUMP



HYDROSTATIC PUMP

Key #	Part #	Description
	310227	HYDROSTATIC PUMP (COMPLETE)
	313306	OVERHAUL SEAL KIT (CONTAINS KEY NO.'S 1-9, 13 AND 14)
1		RING-RETAINING
2		SPACER
3		SEAL-LIP
4		RING-RETAINING
5		SEAL-LIP
6		SEAL-LIP
7		SEAL-LIP
8		GASKET-CENTER SECTION
9		O-RING
10	313305	BY-PASS VALVE KIT- COMPLETE (INCL. KEY NO.'S 11-15)
11		SPRING-HELICAL COMP
12		BY-PASS SPOOL
13		O-RING
14		O-RING
15		PLUG-BY-PASS



Husqvarna Forest & Garden Co.
a Division of WCI Outdoor Products Inc.
9006-J Perimeter Woods Drive
Charlotte, NC 28216