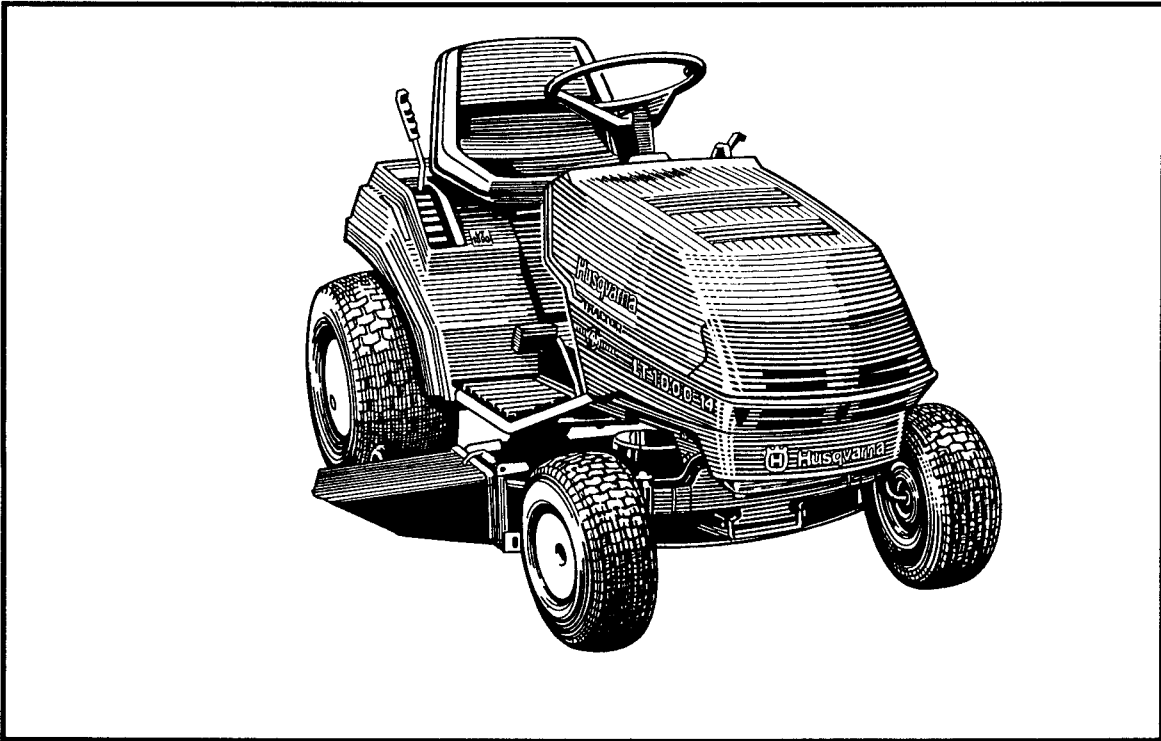


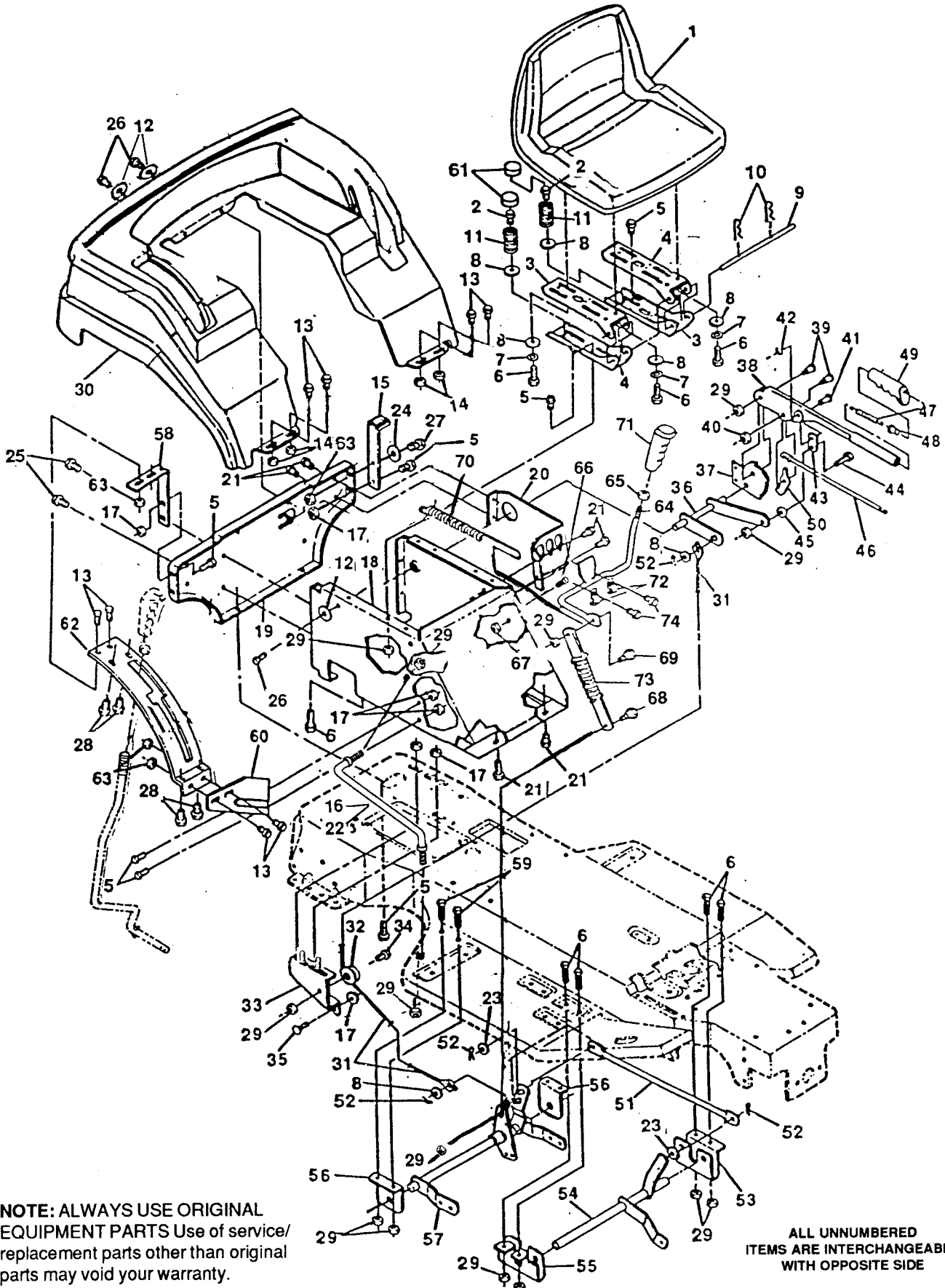
# 4125H



**1.1992**  
**Spare Parts**

# TRACTOR REPAIR PARTS

## 40" TRACTOR MODEL 4125H



**NOTE: ALWAYS USE ORIGINAL EQUIPMENT PARTS** Use of service/replacement parts other than original parts may void your warranty.

ALL UNNUMBERED ITEMS ARE INTERCHANGEABLE WITH OPPOSITE SIDE

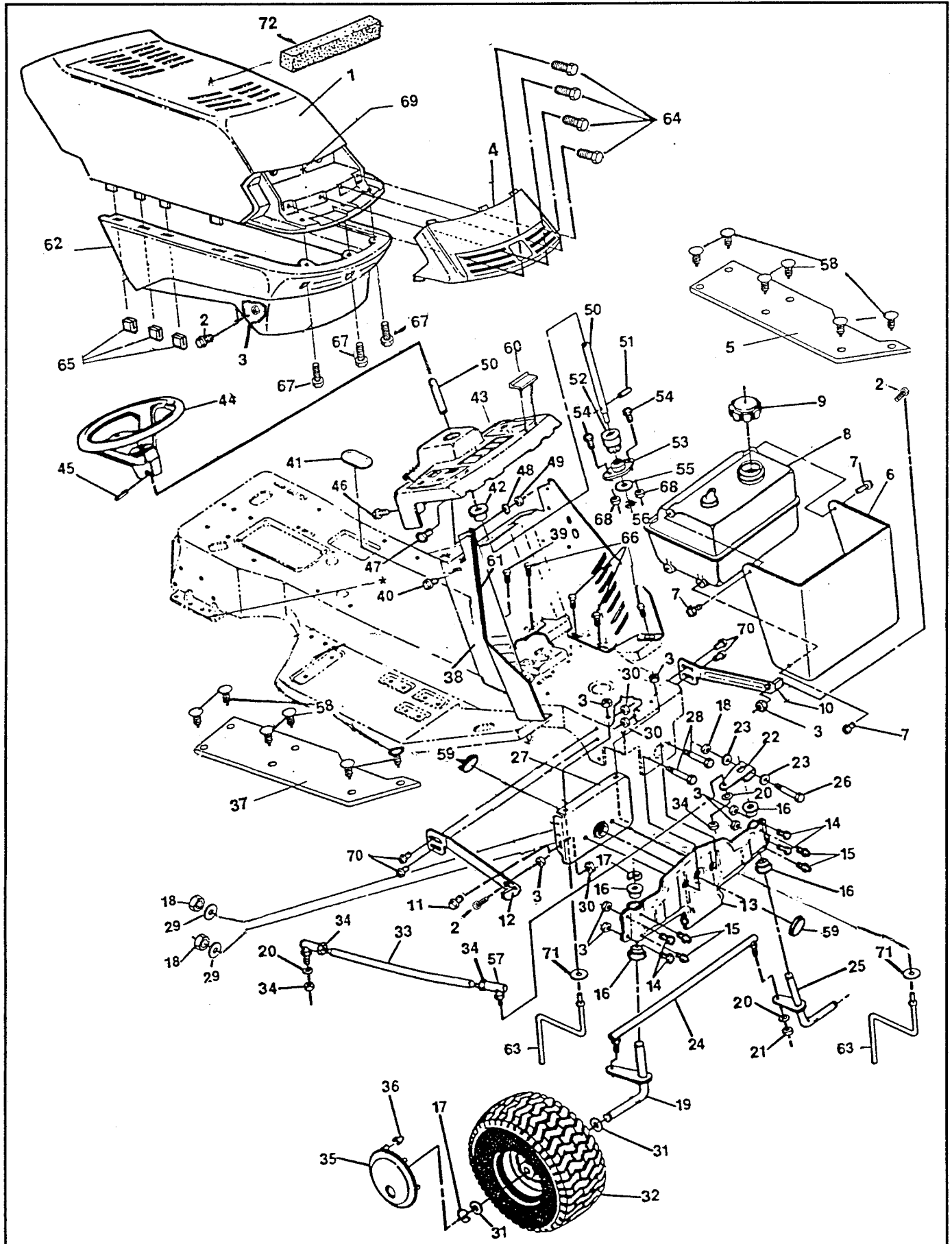
# TRACTOR REPAIR PARTS

## 40" TRACTOR MODEL 4125H (601 10 00-05)

Key No.	Part No.	Description	Key No.	Part No.	Description
1	6010003-95	Seat	47	6010006-42	Spring, Height Adjust
2	6010005-43	Screw, 5/16 18 x .63	48	6010006-41	Knob, Height Adjust
3	6010007-07	Channel, Seat L. H	49	6010002-38	Handle, Lift
4	6010008-04	Channel, Seat R. H.	50	6010001-26	Pawl, Height Adjust
5	6010005-97	Screw, Hx Hd, Wd Fl 5/16-18 x 3/4 In.	51	6010001-59	Tie Rod
6	6010000-28	Screw, Hx Hd, 5/16-18 x 3/4 In.	52	6010000-25	Cotter Pin
7	6010000-23	Washer, Lock 5/16 In.	53	6010007-16	Bracket, L. H. Front Hanger
8	6010000-19	Washer, Flat, 11/32 In.	54	6010007-21	Assembly, Front Lift Shaft
9	6010002-32	Rod, Seat Support	55	6010007-17	Bracket, R. H. Front Hanger
10	6010005-23	Hair Pin, .073 Dia. x 1.13 In.	56	6010007-20	Bracket, Hanger
11	6010002-62	Seat Spring	57	6010007-19	Assembly, Rear Lift Shaft
12	6010000-03	Washer, Flat, 9/32 In.	58	6010002-58	Fender Support, R. H.
13	6010000-67	Screw, Hx Hd, 1/4-20 x 5/8 In.	59	6010000-06	Screw, Hx Hd, 5/16-18 x 5/8 In.
14	6010000-62	Nut, Lock, 1/4-20 Thd.	60	6010002-59	Support, Shift Plate
15	6010002-57	Fende Support, L. H.	61	6010006-20	Cover, Seat Spring
16	6010008-05	Support, LH footrest stiffener	62	6010007-37	Quadrant
17	6010005-95	Nut, Hx, Wd Fl, Lk 5/16-18 Thd.	63	6010005-75	Nut, Hx, Wd Fl Lk, 1/4-20 Thd.
18	6010008-06	Seat Support	64	6010008-10	Assembly brkt & Engagement hand
19	6010008-07	Support, Fender & Seat	65	6010000-08	Nut, HX Ctrlk, 1/2-13 Thd.
20	6010001-34	Bracket, Support Engage	66	6010000-35	Screw, Hex, 3/8-16x2-1/4 In.
21	6010005-19	Screw, Hx Wshr Hd Tap, 5/16-18 x 1/2 In.	67	6010001-04	Nut, Hex Keps, 3/8-16 Thd.
22	6010008-08	Support, LH footrest stiffener	68	6010000-88	Bolt, .437x.156 Hhsh 5/16-18
23	6010001-06	Flatwasher, 13/32 In.	69	6010002-75	Bolt, Shoulder, 7/16 In.
24	6010000-17	Flatwasher	70	6010002-51	Spring, Tension
25	6010005-70	Screw, Tap, 5/16-18 x 7/8 I	71	6010002-37	Handle, Lift
26	6010006-67	Screw, Hx, Wshr Hd, Tap 1/4-20 x 5/8 In.	72	6010001-32	Clip
27	6010000-68	Screw, 1/4-20 x 3/4 In	73	6010002-28	Assembly, Spring Cartridge
28	6010001-13	Screw, Hx Hd, Tap #10 x 1/2 In.	74	6010000-66	Screw, 1/4-20x1/2 In.
29	6010000-59	Nut, Hx Ctrlk, 5/16-18 Thd.	75	6010008-11	Part's Manual (Not Illustrated) French and English
30	6010008-09	Fender	76	6010008-12	Operator's Manual (Not Illustrated) French
31	6010001-91	Cable, Deck Lift	77	6010008-13	Operator's Manual (Not Illustrated) English
32	6010005-60	Pulley			
33	6010001-93	Assembly, Pulley Bracket			
34	6010002-63	Shoulder Bolt, 5/16-18 Thd.			
35	6010000-52	Bolt, Carriage, 5/16-18 x 5/8 In.			
36	6010001-33	Assembly, Upper Shaft			
37	6010001-60	Quadrant			
38	6010007-46	Lift Lever			
39	6010001-10	Shoulder Bolt, 5/16-18 Thd.			
40	6010005-39	Nut, Hx Wd Fl Lk 5/16-18 Thd.			
41	6010001-15	Clevis Pin			
42	6010001-16	E-Ring			
43	6010001-56	Link			
44	6010005-21	Shoulder Bolt, 5/16-18 Thd.			
45	6010005-47	Washer			
46	6010006-43	Actuator Rod			

# TRACTOR REPAIR PARTS

40" TRACTOR MODEL 4125H



# TRACTOR REPAIR PARTS

## 40" TRACTOR MODEL 4125H (601 10 00-05)

Key No.	Part No.	Description	Key No.	Part No.	Description
1	6010003-98	Hood	44	6010001-90	Steering Wheel
2	6010000-99	Shoulder Bolt, 5/16-18 Thd.	45	6010005-48	Pin, , Spring, 1/4 x 2 In.
3	6010000-59	Nut, Hx, Ctrlk, 5/16-18 Thd.	46	6010002-74	Screw, Tap, 1/4-20 x 1/2 In.
4	6010003-04	Lens, Headlight	47	6010000-24	Screw, Hx Hd, 1/4-20 x 5/8 In.
5	6010004-65	Assembly, Foot Pad L. H.	48	6010000-18	Washer, Flat, 9/32 In.
6	6010007-12	Heat Shield	49	6010000-62	Nut, Hx, Ctrlk, 1/4-20 Thd.
7	6010001-14	Screw, Hx Hd, Plastite 1/4 Dia. x 3/4 In	50	6010001-49	Shaft, Steering
8	6010002-72	Tank, Gas 1.5 Gal W/Sensor	51	6010001-64	Pin, Dowel
	6010002-71	Low Fuel Sensor	52	6010001-51	Pinion, Steering
9	6010000-49	Cap, Fuel	53	6010001-63	Bearing, Flange
10	6010008-14	Bracket, Hood L. H.	54	6010008-21	Screw, 5/16-24x.75 Sq.
11	6010005-97	Screw, Hx Hd, 5/16 -18 x 3/4 In.	55	6010001-09	Washer, Flat, 1/2 In.
12	6010008-15	Bracket, Hood R. H.	56	6010000-89	E-Ring
13	6010008-16	Front Axle W/Bearings	57	6010006-23	Ball, Joint, 3/8 Thd.
14	6010000-06	Screw, Hx Hd, 5/16-18 x 5/8 In.	58	6010004-06	Ratchet Fastener
15	6010006-51	Grease Fitting	59	6010003-07	Plug, Front Axle
16	6010001-47	Bearing, Spindle	60	6010008-22	Bumper, Hood/Dash
17	6010005-25	E-Ring	61	6010005-56	Wide Trim 18 "
18	6010000-60	Nut, Hx, Ctrlk, 3/8-16 Thd.	62	6010003-02	Grille
19	6010008-17	Spindle, R. H.	63	6010001-22	Belt Guide
20	6010000-15	Washer, Split, Lock 3/8 In.	64	6010004-17	Screw, #4-24 x 1/2 In.
21	6010000-10	Nut, Hx, 3/8-24 Thd.	65	6010003-03	Clip, Tinnerman
22	6010001-48	Steering Arm, Upper	66	6010005-19	Screw, 5/16-18 x .50 In.
23	6010006-70	Washer, Flat, 25/64 In.	67	6010001-13	Screw, #10 x 1/2 In.
24	6010001-19	Assembly, Tie Rod	68	6010008-23	Nut, 5/16-24 Hxwdfllk
25	6010008-18	Spindle, L.H.	69	6010003-97	Decal, Reflector Ver II, Hood
26	6010000-77	Screw, Hx Hd, 3/8-16 x 2-1/2 In.	70	6010005-91	Screw, Hex Fl, 5/16-18 x 3/4 In.
27	6010007-08	Support Bracket, Front Axle	71	6010000-57	Washer, Internal Tooth
28	6010000-37	Screw, Hx Hd, 3/8-16 x 3 In.	72	6010003-19	Foam, Hood Baffle
29	6010000-98	Washer, Spring			
30	6010005-95	Nut, Hx, Wd Fl Lk 5/16-18 Thd.			
31	6010006-45	Washer, Flat, 3/4 In.			
32	^	Wheel & Tire Assembly, Front			
	Tire	Refer to Tire Tread Page			
	6010008-19	Wheel/With Bearing			
	6010000-96	Valve Stem			
	6010004-58	Bearing			
33	6010001-81	Drag Link			
34	6010000-48	Nut, Hx, Jam, 3/8-24 Thd.			
35	6010002-90	Hubcap, Front			
36	6010002-94	Clip, Hubcap			
37	6010004-64	Assembly, Foot Pad R. H.			
38	6010007-00	Dash, Lower			
39	6010005-44	Screw, Tap, 5/16-18 x 3/8 In.			
40	6010006-68	Screw, Self-Tap, 1/4-20 x 1/2 In.			
41	6010002-47	Cover			
42	6010001-92	Bushing, Upper Steering			
43	6010008-20	Dash, Upper			

(^) Order Parts Individually



## TRACTOR REPAIR PARTS

### 40" TRACTOR MODEL 4125H (601 10 00-05)

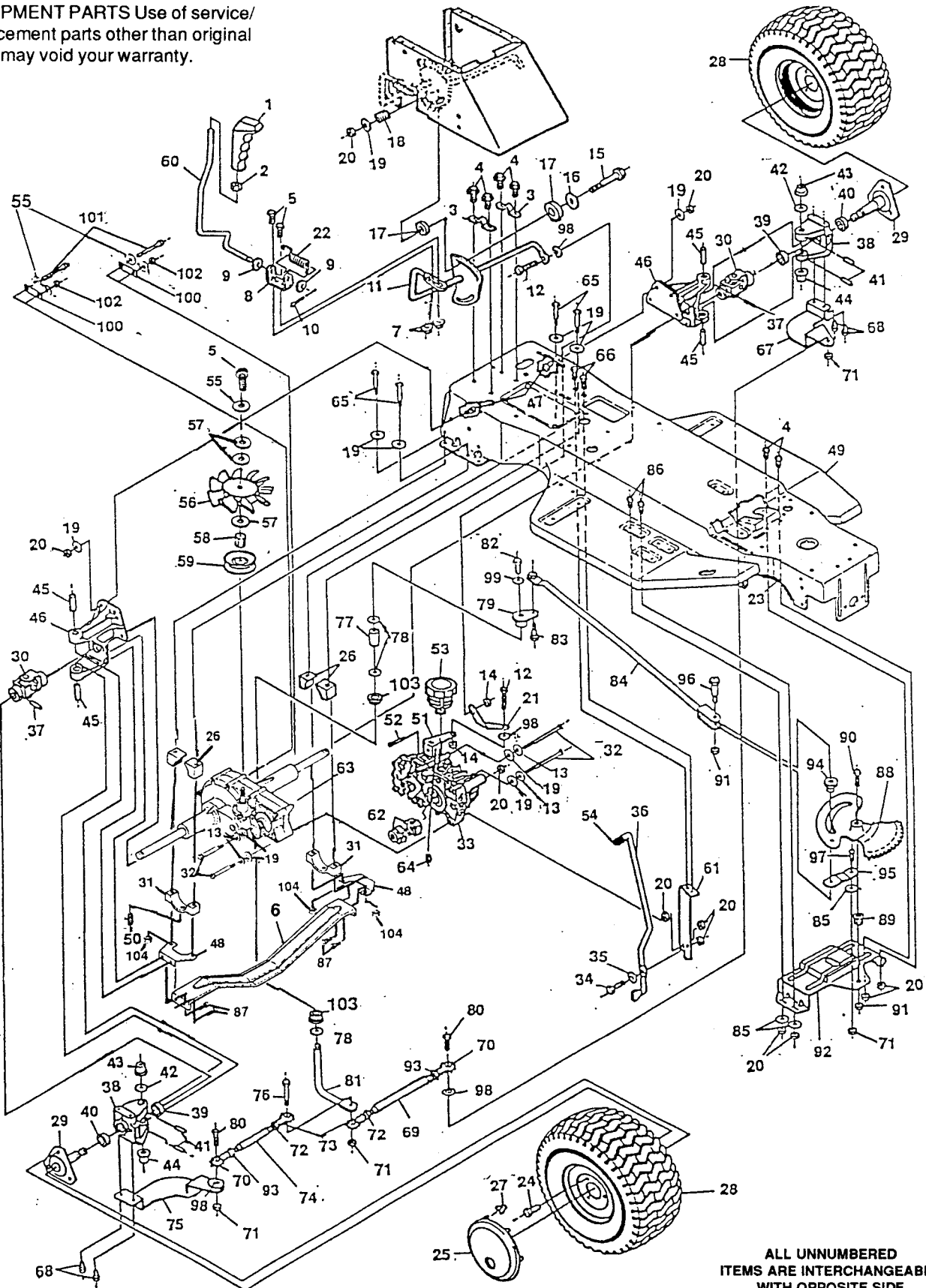
Key No.	Part No.	Description
1	6010008-24	Trim
2	6010000-05	Elbow, 90 Degree
3	6010007-26	Heat Shield
4	6010005-19	Screw, 5/16-18 x 1/2
5	6010000-14	Washer, Split Lock
6	6010000-12	Nut, 5/16 - 18
7	6010001-17	Screw, 14-20 x 7/8 In.
8	6010000-13	Nut, 3/8-16
9	6010005-47	Flatwasher, .333 x .87 x .119
10	6010005-28	Retainer, Belt
11	ENGINE	
12	6010003-72	Bolt, Shoulder 5/16-18
13	6010003-89	Muffler, Round
14	6010002-60	Bolt, 5/16 - 18 Thd.
15	6010002-93	Pulley Assembly, Engine
16	6010006-13	Washer, Pilot
17	6010000-16	Washer, Split Lock 7/8
18	6010005-38	Screw, 7/16-20 x 5 In.
19	6010003-88	Belt
20	6010005-53	Muffler Gasket
21	6010005-51	Screw, 3/8-16x1-1/2 In.
22	6010005-73	Screw, Tap 3/8-16 x 1 1/4 In.
23	6010000-56	Washer 3/8 In.
24	6010003-87	Bolt, Shoulder, 5/16-18
25	6010002-61	Muffler Shield
26	6010003-90	Heat Shield Spacer
27	6010000-84	Screw, 1/4-20 x 3-1/2 In
28	6010004-61	Idler, Arm
29	6010004-60	Rod, Clutch

Key No.	Part No.	Description
30	6010000-59	Nut, 5/16-18
31	6010004-55	Spring, Clutch
32	6010006-35	Key Square
33	6010002-15	Spacer
34	6010008-25	Clutch Brake Pad
35	6010007-24	Clutch Brake Weld Assy.
36	6010004-42	Clutch Brake Arm Bracket
37	6010003-84	Park Brake Lever
38	6010002-14	Parking Brake Rod
39	6010002-19	Knob, Parking Brake
40	6010000-15	Washer, Split lock 3/8 In.
41	6010000-17	Flatwasher, .250 x .56 x .04
42	6010000-26	Cotter Pin
43	6010003-69	Spring, Brake
44	6010003-83	Bracket-Brake, Neutral
45	6010001-85	Idler Pulley

# TRACTOR REPAIR PARTS

## 40" TRACTOR MODEL 4125H

**NOTE: ALWAYS USE ORIGINAL EQUIPMENT PARTS** Use of service/ replacement parts other than original parts may void your warranty.



ALL UNNUMBERED  
ITEMS ARE INTERCHANGEABLE  
WITH OPPOSITE SIDE



# TRACTOR REPAIR PARTS

## 40" TRACTOR MODEL 4125H (601 10 00-05)

Key No.	Part No.	Description
1	6010002-37	Handle, Deck Engage Lever
2	6010000-08	Nut, 1/2-13
3	6010004-42	Bracket, Clutch/Brake Arm
4	6010005-19	Screw, 5/16-18 x 1/2 In.
5	6010000-67	Screw, 1/4-20 x .62 In.
6	6010008-26	Brace
7	6010008-27	Nut, 1/4-20
8	6010003-94	Bracket, Shift
9	6010006-54	Washer, Flat
10	6010000-25	Pin, Cotter
11	6010007-27	Shift Rod Assembly
12	6010000-33	Screw, 3/8-16 x 1-1/4 In.
13	6010000-23	Washer
14	6010000-60	Nut, 3/8-16 Thd.
15	6010000-32	Screw, 5/16-18 x 2 In.
16	6010006-56	Washer, Flat
17	6010005-66	Washer, Friction
18	6010001-08	Spring
19	6010000-19	Washer, Flat
20	6010000-59	Nut, 5/16-18 Thd.
21	6010003-80	Shift Link
22	6010003-92	Spring, Torsion
23	6010005-56	Trim
24	6010000-44	Screw, Hx Hd, 1/2-20 x 1/2 In.
25	6010002-91	Hubcap, 8 In.
26	6010004-04	Mounting Block
27	6010002-94	Clip, Hubcap
28	^	Tire and Wheel Assembly
		Refer to Tire Tread Page
	6010006-40	Wheel
	6010000-96	Valve System
29	6010004-67	Hub Assembly
30	6010008-28	U-Joint Assembly
	6010008-29	Grease Fitting
31	6010003-79	Mounting Block
32	6010000-85	Screw, 5/16-18 x 4-1/2 In.
33	6010003-81	Hydrostatic Pump
34	6010003-73	Shoulder Bolt
35	6010000-98	Washer
36	6010003-85	Rod- Relief Valve
37	6010005-22	Pin, Grooved, 1/4 x 1 1/2 In.
38	6010004-68	Bracket, Steering Pivot, Outer
39	6010000-43	Bearing
40	6010004-69	Bearing
41	6010005-50	Pin, Spring 1/4 x 1 1/2 In.
42	6010000-92	Washer, Flat
43	6010000-38	Bushing, Shouldered
44	6010000-42	Bushing, Shouldered
45	6010000-39	Pin, Steering Hinge
46	6010000-47	Bracket, Steering Pivot, Inner
47	6010000-29	Screw, Hx Hd, 5/16-18 x 1 In.
48	6010007-33	Bracket, Transaxle Mounting
49	6010008-30	Main Frame
50	6010000-58	Screw, #10-32 x 1/4 In.
51	6010003-78	Armspeed Control

Key No.	Part No.	Description
52	6010005-49	Pin, Spring
53	6010004-01	Reservoir, Hydro
54	6010008-31	Cap, Memory Rod
55	6010000-14	Washer, Split Lock
56	6010003-38	Fan
57	6010008-32	Washer, Flat
58	6010003-74	Nut, Pulley 1/2-20 and 1/4-20
59	6010003-75	Pulley, Assy. Hydro
60	6010007-25	Shift Rod
61	6010003-77	Stabilizer Bracket
62	6010008-33	Coupling
63	( ^ )	Transaxle
64	6010000-01	Set Screw
65	6010008-34	Screw, 5/16-18 x 2.25 In.
66	6010000-72	Screw, 5/16-18 x 5/8 In.
67	6010007-10	Arm, Rear Wheel Steer, L. H.
68	6010008-35	Screw, Self-Tap 3/8-16 x 1 In.
69	6010004-51	Tie Rod, L. H.
70	6010003-33	Tie Rod, End L. H.
71	6010005-32	Nut, Hex, Ctrlk, 3/8-24
72	6010000-48	Nut, Hex Jam, 3/8-24
73	6010002-17	Tie Rod End R. H.
74	6010004-52	Tie Rod, R. H.
75	6010007-09	Arm, Rear Wheel Steer, R. H.
76	6010000-82	Screw, 3/8-24 x 1 3/4 In.
77	6010004-50	Spacer
78	6010001-00	Washer, Lat 49/64 In.
79	6010003-40	Steering Pivot
80	6010000-81	Screw, 3/8-24 x 1 1/4 In.
81	6010004-54	Shaft, Steering Pivot
82	6010005-36	Screw 5/16-24 x 1 In.
83	6010000-41	Bolt, Shoulder 3/8-24
84	6010004-54	Rod Assembly, Rear Wheel Steer
85	6010005-41	Washer, Flat 3/8 In.
86	6010005-20	Screw, Self-Tap 5/16-18 x 3/8 In.
87	6010005-70	Screw, Self-Tap 5/16-18 x 5/8 In.
88	6010001-75	Assembly Sector Gear
89	6010001-76	Bushing, Sector Gear
90	6010002-18	Screw, 1/2-20 x 2 3/8 In.
91	6010001-07	Nut, Hx, Ctrlk 1/2-20
92	6010007-18	Plate, 4-Wheel Steer Pivot
93	6010003-26	Nut, Jam 3/8-24
94	6010002-03	Cam Yoke Roller
95	6010001-69	Arm, Roller Swing
96	6010002-05	Shoulder Bolt, Cam Roller
97	6010001-67	Shoulder Bolt, Cam Follower Arm Pivot
98	6010000-15	Washer, Split Lock
99	6010005-47	Washer Flat
100	6010004-59	Bracket, Rear Pivot
101	6010008-36	Screw 1/4-20 x .75 In
102	6010000-11	Nut 1/4-20
103	6010001-47	Bearing Spindle
104	6010005-40	Nut, 5/16-18

(^) Order Parts Individually



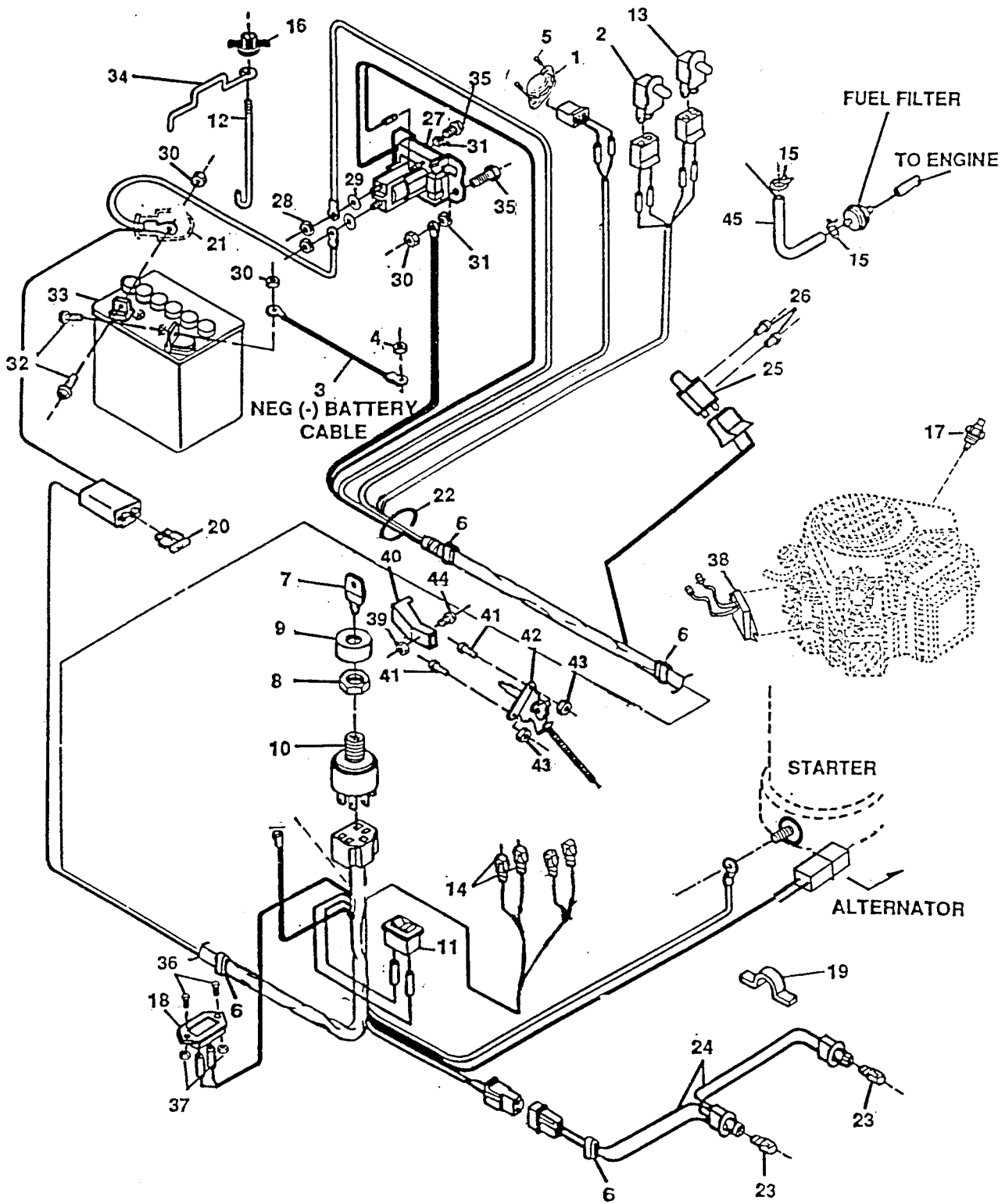
# TRACTOR REPAIR PARTS

## 40" TRACTOR MODEL 4125H (601 10 00-15)

Key No.	Part No.	Description	Key No.	Part No.	Description
1	6010001-18	Pin, Clevis	41	6010004-66	Spring
2	6010006-04	Hairpin, Cotter	42	6010001-58	Bracket, Chute Mount
3	6010008-60	Clevis	43	6010002-24	Rod, Chute
4	6010003-62	Lift Rod	44	6010002-10	Wheel Bracket, R. H.
5	6010000-08	Nut, Hx Jam 1/2-13 Thd.	45	6010001-88	Clutch Rod
6	6010000-04	Nut, Sq. 1/2-13 Thd.	46	6010002-49	Clevis
7	6010008-37	Clip	47	6010000-12	Nut 5/16-18
8	6010000-59	Nut, Hx, Lock 5/16-18 Thd.	48	6010005-63	Clevis, Pin
9	6010000-72	Screw, Hx Hd, 5/16-18 x 5/8 In.	49	6010008-42	Idler Assembly
10	6010003-53	Bracket, Front	50	6010000-54	Belt Retainer
11	6010006-39	Nut, Adjusting	51	6010003-91	Idler Pulley
12	6010006-69	Washer .391 x 1.00 x .209	52	6010006-27	Carriage Bolt, 3/8-16 x 2 In.
13	6010004-02	Channel, Draw Bar	53	6010002-22	Shoulder Bolt, 3/8-16 x 3/4 In.
14	6010001-83	Rod, Drawbar	54	6010001-57	Idler Brace
15	6010008-38	Mower Deck	55	6010006-70	Washer, Flat .391 x 1.00 x .125
16	6010005-16	Push Nut	56	6010005-42	Nut, Hx, Wd Fl, 3/8-16 Thd.
17	6010002-25	Wheel Bracket, L. H.	57	6010001-72	Brake Rod
18	6010001-70	Wheel	58	6010004-22	Lift Rod
19	6010000-95	Shoulder Bolt, 3/8-16 Thd.	59	6010001-06	Flatwasher
20	6010000-60	Nut, Hex, Ctrlk, 3/8-16 Thd.	60	6010005-58	Belt, 83 In. Long
21	6010001-73	Belt Cover, Left Pulley	61	6010005-17	Spring
22	6010000-19	Flatwasher, 11/32 In.	62	6010002-04	Brake Blade
23	6010000-06	Screw, Hx Hd, 5/16-18 x 5/8 In.	63	6010001-21	Screw, Tap, 5/16-18 x 1-3/8 In.
24	6010006-11	Quill Assembly (Incl Nos. 25-33)	64	6010000-62	Nut 1/4-20
25	6010006-12	Saddle & Shaft Assembly	65	6010002-27	Clevis
26	6010005-69	Dust Shield	66	6010000-15	Washer, Split, Lock 3/8 In.
27	6010000-50	Bearing	67	6010000-13	Nut, Hx, 3/8-16 Thd.
28	6010008-39	Quill Housing	68	6010000-74	Screw, 5/16-18 x 1 In.
29	6010005-72	Spacer Tube	69	6010008-43	Nut, 5/16-18 Thd.
30	6010008-40	Spacer	70	6010008-44	Bolt, Carriage 5/16-18x.63 Gr5
31	6010008-41	Pulley	71	6010005-46	Bolt, Carriage 5/16-18x.63 Gr2
32	6010006-09	Washer	72	6010005-41	Washer, 3/8x7/8x.082
33	6010000-53	Nut, Wd Fl, Lk 7/16-20 Thd.	73	6010008-45	Flatwasher, .469x.92x.065
34	6010005-70	Screw, Wshr Hd, 5/16-18 x 7/8"			
35	6010001-87	Blade, 20.32 Hi-Lift			
36	6010000-98	Washer, Spring			
37	6010005-27	Screw, Hx Hd, 3/8-24 x 1 In.			
38	6010002-00	Toe Guard			
39	6010000-73	Screw, Hx Hd, 5/16-18 x 3/4 In.			
40	6010002-23	Chute Deflector			

# TRACTOR REPAIR PARTS

## 40" TRACTOR MODEL 4125H



**NOTE: ALWAYS USE ORIGINAL EQUIPMENT PARTS** Use of service/ replacement parts other than original parts may void your warranty.

**ALL UNNUMBERED ITEMS ARE INTERCHANGEABLE WITH OPPOSITE SIDE**

# TRACTOR REPAIR PARTS

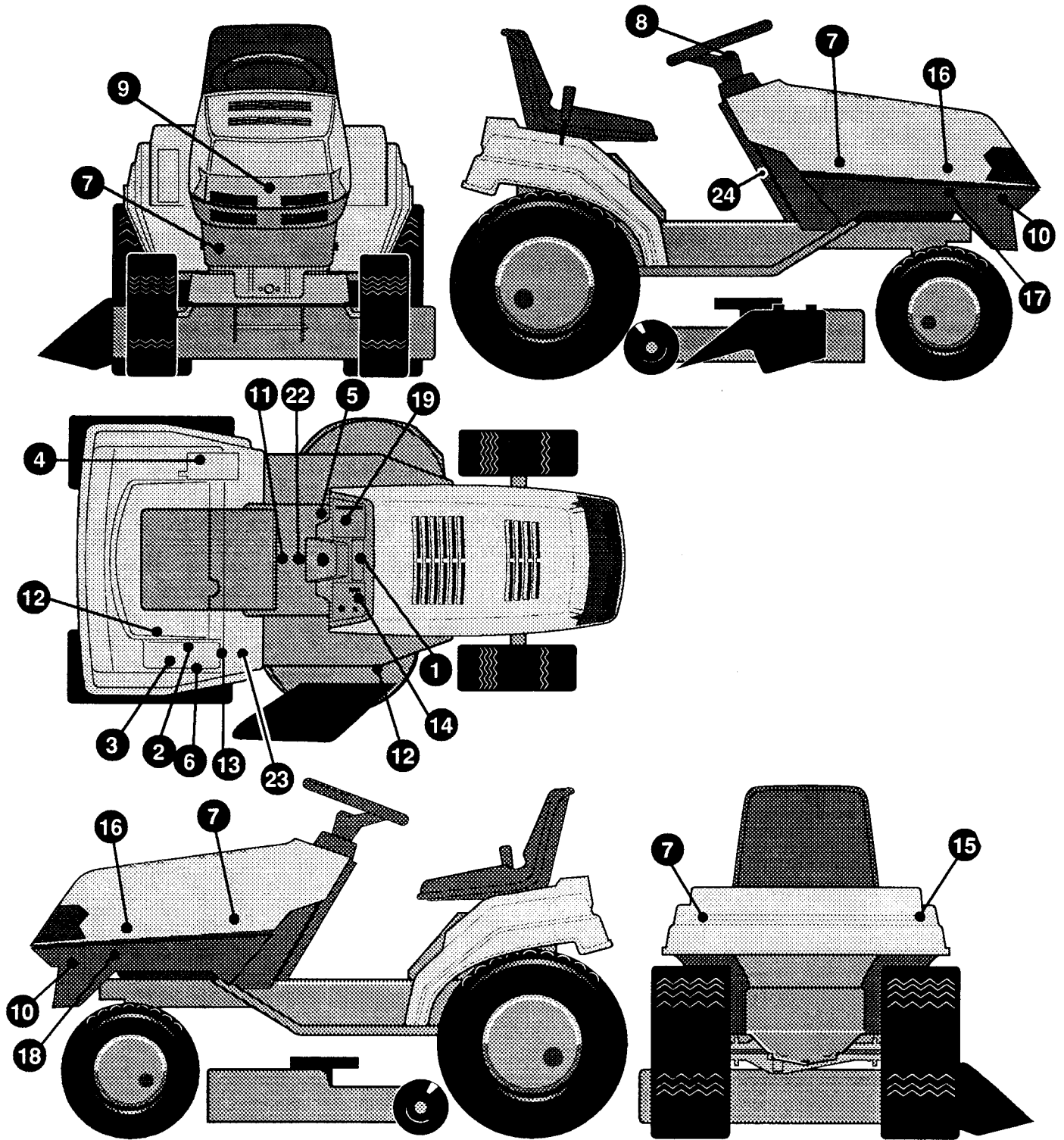
## 40" TRACTOR MODEL4125H (601 10 00-05)

Key No.	Part No.	Description
1	6010006-29	Seat Switch
2	6010003-21	Switch, Snap Mnt No. .140 Blue
3	6010005-96	Cable, Battery, Negative
4	6010001-03	Nut, Hx, Keps, 5/16-18 Thd.
5	6010000-65	Screw, 1/4-20 x .38
6	6010006-28	Tie Cable
7	6010001-23	Key, Ignition Switch
8	6010001-11	Nut, Switch
9	6010001-12	Boot, Switch
10	6010002-70	Switch, Ignition
11	6010001-20	Switch, Light
12	6010006-30	Rod, Battery Hold-Down
13	6010000-51	Switch, Snap Mnt No. .140 Wh.
14	6010006-33	Bulb, Indicator
15	6010005-61	Clamp, Gas Line
16	6010003-71	Wingnut
17	6010004-62	Oil Sensor
18	6010002-40	Minature Hour Meter
19	6010005-34	Press Clip
20	6010001-28	Fuse, 15A-32V, Spade Type
21	6010003-23	Boot, Rubber (Battery Cable)
22	6010008-46	Wire Harness
23	6010005-89	Bulb Headlamp
24	6010001-86	Assembly, Light Wire
25	6010006-29	Switch
26	6010007-46	Screw, Pn Hd, Tap #12 x 1/2 In.
27	6010005-92	Solenoid
28	6010000-09	Nut, Hx 5/16-24 Thd.
29	6010000-55	Washer, Lock 5/16 In.

Key No.	Part No.	Description
30	6010001-02	Nut, Hx, Keps, 1/4-20 Thd.
31	6010000-62	Nut, Hx, Ctrlk, 1/4-20 Thd.
32	6010000-24	Screw, 1/4-20 x 5/8 In.
33	6010001-36	Battery
34	6010001-82	Bracket, Battery Hold-Down
35	6010000-83	Screw, 1/4-20 x 3/4 In.
36	6010008-47	Screw, #6-32 x .50
37	6010001-05	Nut, Hx Keps 6-32
38	6010003-06	Regulator, Sen. Volt BS with Sensor
39	6010000-22	Nut, Hex. #8-32 Thd.
40	6010002-26	Knob, Throttle Control
41	6010008-48	Screw #10-24 x 5/8
42	6010004-81	Throttle Control
43	6010003-37	Nut, Hex, Nylon Lock #8-32 x 3/8 In.
44	6010000-63	Screw, Ph, Pn, #8-32 x 3/8 In.
45	6010005-55	Gas Line

# TRACTOR REPAIR PARTS

40" TRACTOR MODEL 4125H



# TRACTOR REPAIR PARTS

## 40" TRACTOR MODEL 4125H (601 10 00-05)

Key#	Part#	Description	Qty.
1.	6010008-49	DECAL, DASH CHG,BLK,FUEL,ALL SY	1
2.	6010008-50	DECAL, BLADE CLUT/DECK HGTH ERO	1
3.	6010008-51	DECAL, INSTR FRENCH (CAN) ERO LT	1
4.	6010003-99	DECAL, SPEED HYDRO SIGNATURE	1
5.	6010004-10	DECAL, FENDER REAR,HOOD HUSQ.	4
6.	6010004-11	DECAL, GUNSIGHT CENT. STEER	1
7.	6010004-12	DECAL, GUNSIGHT CLEAR BACK	1
8.	6010004-13	DECAL, WHEEL 4 STEER HUSQ.	2
9.	6010008-52	DECAL, INSTRUC CONSOLE TOP	1
10.	6010004-38	DECAL, 4WS PATENT NO. 5048853	1
11.	6010004-47	DECAL, DEPRESS CL/BRAKE	1
12.	6010008-53	DECAL, DASH RH ISO HR,LG,SW	1
13.	6010008-54	DECAL, MODEL #4125H	2
14.	6010004-90	DECAL, HYDROSTATIC	2
15.	6010004-92	DECAL, PIN STRIPE RH	1
16.	6010004-93	DECAL, PIN STRIPE LH	1
17.	6010008-55	DECAL, RELEIF VALVE	1
18.	6010008-56	DECAL, DASH LEFT ENGLISH/ISO	1
19.			
20.			
21.	6010008-57	DECAL, OPER. INSTR. ERO TOP FRAME	1
22.	6010008-58	DECAL, DANGER FRENCH,ENGLISH	1
23.	6010008-59	DECAL, PARK BRKE EXPORT	1





# HYDRO-GEAR HYDROSTATIC

Ref.	Part No.	Description	Qty.
1	*324090	ASS'Y, HOUSING HALF LH	
	^	HOUSING HALF L.H.	1
5	^	BEARING, BALL 3/4ID X 40MM OD X 12 MM	2
43	^	BEARING, BALL	2
	*324092	ASS'Y, HOUSING HALF RH	
2	^	HOUSING HALF RH	1
5	^	BEARING, BALL 3/4ID X 40MM OD X 12 MM	2
43	^	BEARING, BALL	1
44	^	BEARING, BALL	1
	*324094	ASS'Y, DIFFERENTIAL/AXLE	
3	^	AXLE L.H. 3/4"	1
4	^	AXLE R.H. 3/4"	1
6	^	WASHER, FLAT 3/4ID X 1-1/8OD X .025 THK	3
7	^	GEAR, MITER	2
8	^	GEAR, MITER	2
9	^	NUT, HEX JAM W/PATCH 1/2-20	2
10	^	SHAFT, CROSS	1
11	^	BEARING, FL 3/4 ID X 7/8 OD	1
12	^	SNAP RING	2
13	^	BEARING, THRUST	2
14	^	HOUSING	
15	^	BEARING, FLANGE	1
16	^	GEAR, DIFFERENTIAL 72 TOOTH	1
17	^	LOCKING BOLT, 1/4-28 X 9/16" LG	4
	*324095	ASS'Y, INPUT PINION HSG	
18	^	SHAFT, INPUT	1
19	^	RETAINING, RING	1
20	^	RING, RETAINING	1
21	^	HOUSING, INPUT BEARING	1
22	^	BEARING, NEEDLE	2
23	^	BEARING, THRUST	1
24	^	THRUST RACE	2
25	^	KEY, HI-PRO 3/32 X 5/8 DIA.	1
26	^	SCREW, HEX W/PATCH 1/4-20 X 3/4 LONG	3
27	^	GEAR, INPUT PINION 17 TOOTH	1
28	^	WASHER, FLAT .62ID X 1.0 OD X .050 THK.	1
----	^	WASHER, FLAT .62ID X 1.0 OD X .040 THK.	AR
	*324096	ASS'Y, REDUCTION GEAR	
47	^	BEARING, NEEDLE	1
48	^	BRONZE THRUST BRG	

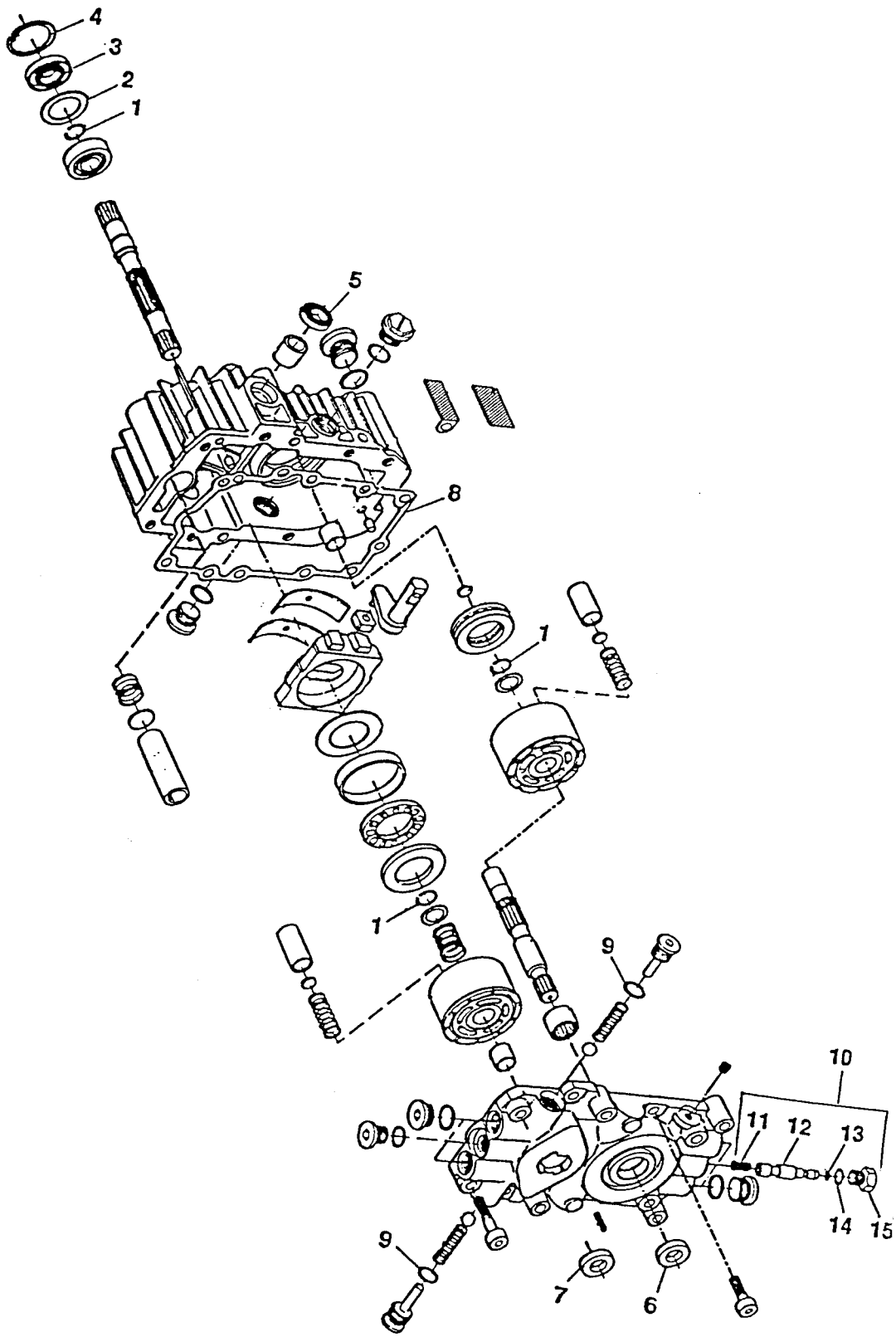
Key No.	Part No.	Description	Qty.
	^	5/8ID X 1-1/4OD X 7/64 THK.	1
49	^	WASHER, FLAT .62ID X 1.0 OD X .050 THK.	1
----	^	WASHER, FLAT .62ID X 1.0 OD X .040 THK.	AR
50	^	GREASE, SEAL BRONZE	1
52	^	GEAR, 60 AND 17 TOOTH	1
59	^	WASHER, FLAT .62ID X 1.0 OD X .030 THK.	1
60	^	PIN, DOWEL 3/32 X 1/4	1
25	323688	KEY, HI-PRO 3/32 X 5/8 DIA.	1
29	323671	PIN, COTTER	1
30	323691	NUT, CASTLE 5/16-24	1
31	323684	WASHER, FLAT .343ID X .88OD X .062 THK.	1
32	323665	ARM, BRAKE ACTUATOR	1
33	323681	PIN, BRAKE ACTUATING	2
34	324088	BRAKE, YOKE	1
35	323663	DISC, BRAKE	1
36	323692	KEY, HI-PRO 3/16 X 5/8" DIA.	1
37	324092	BOLT, HEX 1/4-20 X 1.50 LONG	1
38	323687	PLATE, PUCK	1
39	323685	PUCK, BRAKE	2
40	323711	BOLT, HEX W/PATCH 1/4-20 X 1.00 LG	1
41	323677	BOLT, HEX SELF-TAP 1/4-20 X 2.00 LG	2
42	323678	BOLT, HEX SELF-TAP 1/4-20 X 3.00 LG	6
45	323660	SHAFT, PINION W/11 TOOTH GEAR	1
46	323656	SHAFT, DRIVE	1
51	323661	COUPLING	4
53	323650	NUT, HEX 1/4-20	1
54	323655	GEAR, DRIVE PINION 17 T.	1
55	324088	BOLT, SQUARE HEAD	1
56	323703	WASHER, 7/8OD X .265ID X .125 THK.	3
57	323649	WASHER, 1/4" SPRING LOCK	1
58	323699	PIN, ROLL 3/16" DIA X 1/2" LG	2
61	324089	TYPE "O" GREASE (10 OZ. TUBE) (20 OZ. REQ'D)	2
62	324110	BOLT, HEX SELF TAP 1/4-20 X 2-1/2	2

AR = AS REQUIRED

\* These sold by assembly only.

^ This is not a serviceable part. Order assembly part.

# HYDROSTATIC PUMP



## HYDROSTATIC PUMP

Key No.	Part No.	Description
	310227	HYDROSTATIC PUMP (COMPLETE)
	313306	OVERHAUL SEAL KIT (CONTAINS KEY NO.'S 1-9, 13 AND 14)
1		RING-RETAINING
2		SPACER
3		SEAL-LIP
4		RING-RETAINING
5		SEAL-LIP
6		SEAL-LIP
7		SEAL-LIP
8		GASKET-CENTER SECTION
9		O-RING
10	313305	BY-PASS VALVE KIT- COMPLETE (INCL. KEY NO.'S 11-15)
11		SPRING-HELICAL COMP
12		BY-PASS SPOOL
13		O-RING
14		O-RING
15		PLUG-BY-PASS



Husqvarna Forest & Garden Co.  
a Division of WCI Outdoor Products Inc.  
9006-J Perimeter Woods Drive  
Charlotte, NC 28216