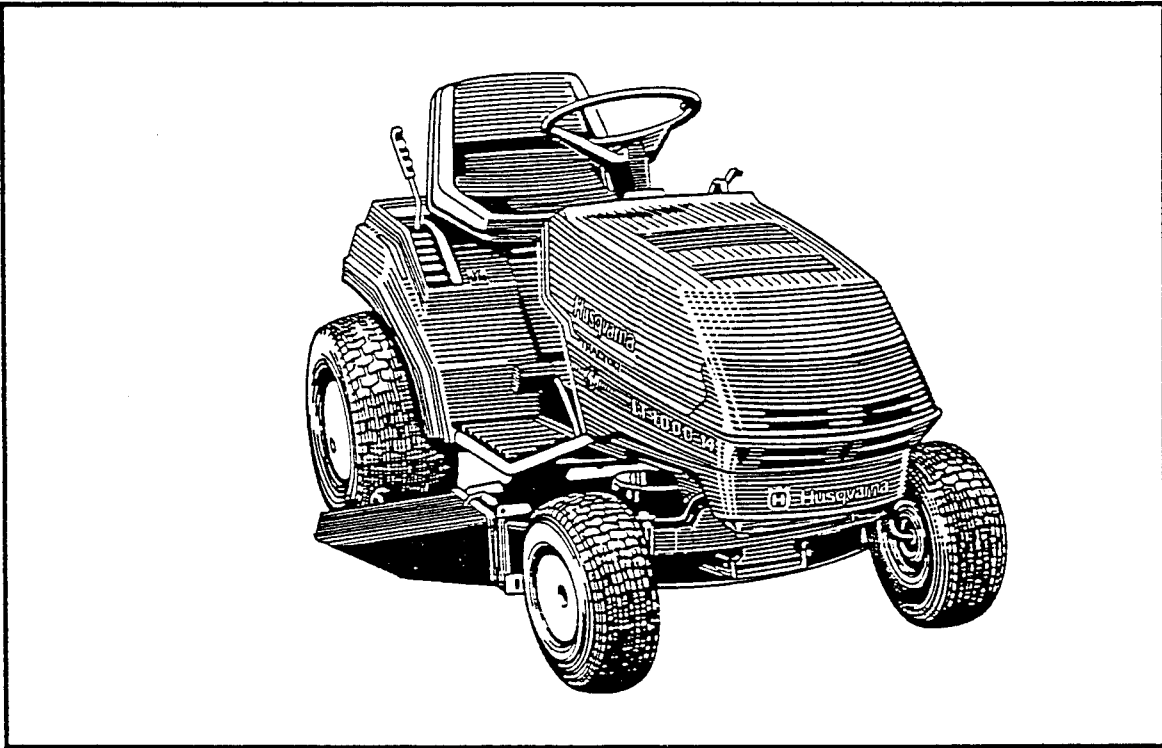


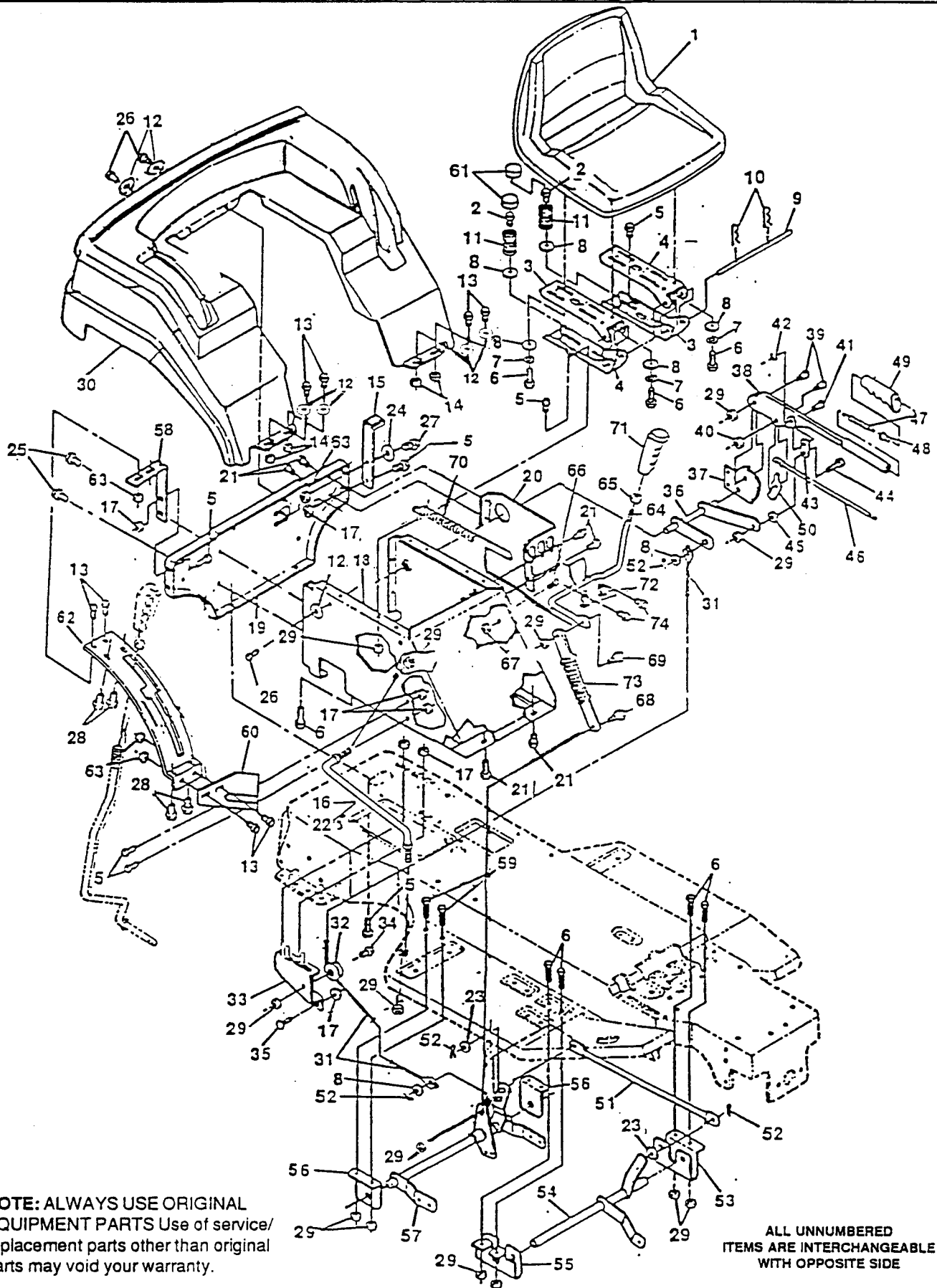
4125G



1.1992
Spare Parts

TRACTOR REPAIR PARTS

40" TRACTOR MODEL 4125G



NOTE: ALWAYS USE ORIGINAL EQUIPMENT PARTS Use of service/replacement parts other than original parts may void your warranty.

ALL UNNUMBERED ITEMS ARE INTERCHANGEABLE WITH OPPOSITE SIDE

TRACTOR REPAIR PARTS

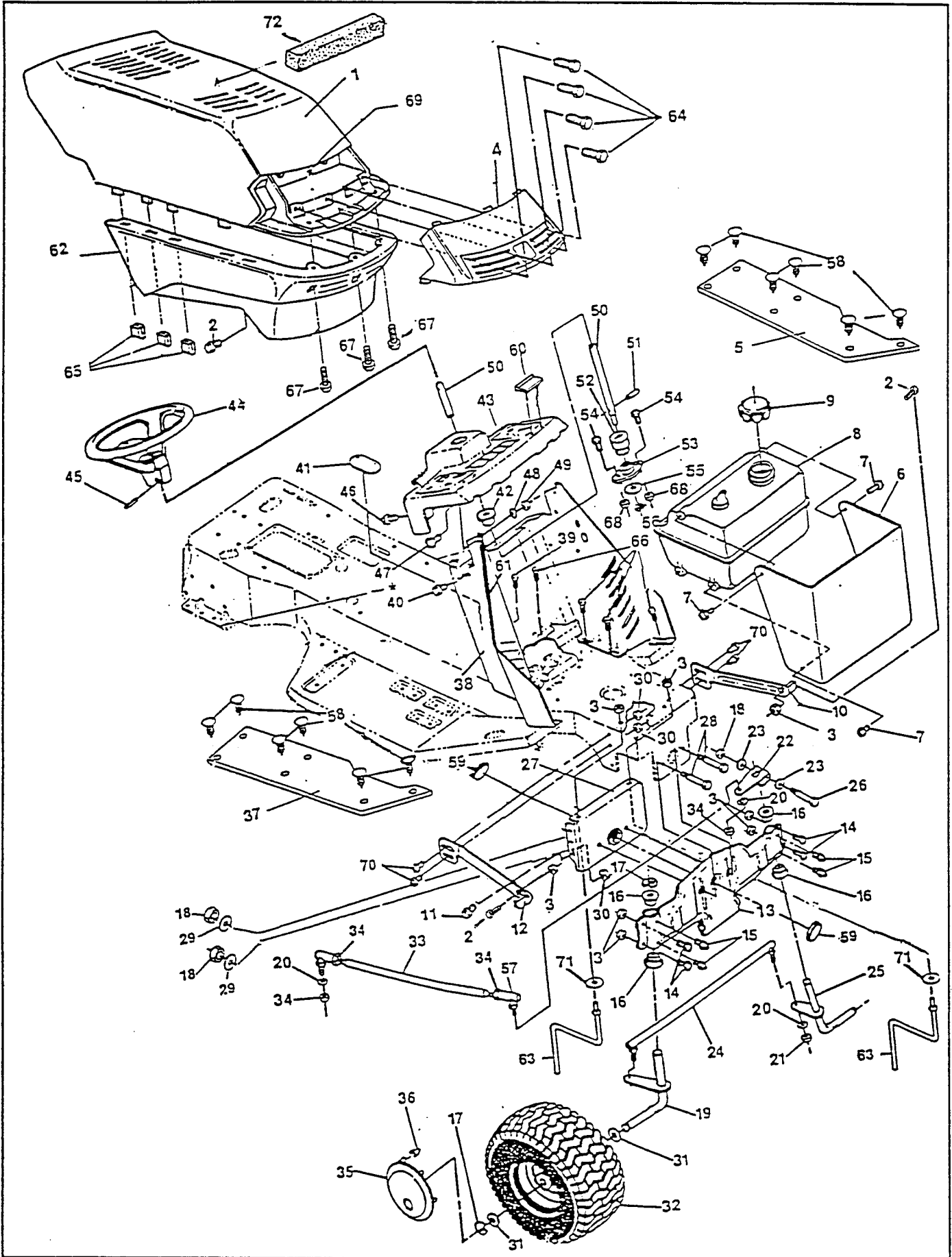
40" TRACTOR MODEL 4125G (601 10 00-04)

Key No.	Part No.	Description
1	6010003-95	Seat
2	6010005-43	Screw, 5/16 18 x .63
3	6010007-07	Channel, Seat L. H
4	6010007-63	Channel, Seat R. H.
5	6010005-97	Screw, Hx Hd, Wd Fl 5/16-18 x 3/4 In.
6	6010000-28	Screw, Hx Hd, 5/16-18 x 3/4 In.
7	6010000-23	Washer, Lock 5/16 In.
8	6010000-19	Washer, Flat, 11/32 In.
9	6010007-64	Rod, Seat Support
10	6010005-23	Hair Pin, .073 Dia. x 1.13 In.
11	6010002-62	Seat Spring
12	6010000-03	Washer, Flat, 9/32 In.
13	6010000-67	Screw, Hx Hd, 1/4-20 x 5/8 In.
14	6010000-62	Nut, Lock, 1/4-20 Thd.
15	6010002-57	Fender Support, L. H.
16	6010007-65	Support, LH footrest stiffener
17	6010005-95	Nut, Hx, Wd Fl, Lk 5/16-18 Thd.
18	6010007-66	Seat Support
19	6010007-67	Support, Fender & Seat
20	6010001-34	Bracket, Support Engage
21	6010005-19	Screw, Hx Wshr Hd Tap, 5/16-18 x 1/2 In.
22	6010007-68	Support, LH footrest stiffener
23	6010001-06	Flatwasher, 13/32 In.
24	6010000-17	Flatwasher
25	6010005-70	Screw, Tap, 5/16-18 x 7/8 I
26	6010006-67	Screw, Hx, Wshr Hd, Tap 1/4-20 x 5/8 In.
27	6010000-68	Screw, 1/4-20 x 3/4 In
28	6010001-13	Screw, Hx Hd, Tap #10 x 1/2 In.
29	6010000-59	Nut, Hx Ctrlk, 5/16-18 Thd.
30	6010007-69	Fender
31	6010001-91	Cable, Deck Lift
32	6010005-60	Pulley
33	6010001-93	Assembly, Pulley Bracket
34	6010002-63	Shoulder Bolt, 5/16-18 Thd.
35	6010000-52	Bolt, Carriage, 5/16-18 x 5/8 In.
36	6010001-33	Assembly, Upper Shaft
37	6010001-60	Quadrant
38	6010007-47	Lift Lever
39	6010001-10	Shoulder Bolt, 5/16-18 Thd.
40	6010005-40	Nut, Hx Wd Fl Lk 5/16-18 Thd.
41	6010001-15	Clevis Pin
42	6010001-16	E-Ring
43	6010001-56	Link
44	6010005-21	Shoulder Bolt, 5/16-18 Thd.
45	6010005-47	Washer
46	6010006-43	Actuator Rod

Key No.	Part No.	Description
47	6010006-42	Spring, Height Adjust
48	6010006-41	Knob, Height Adjust
49	6010002-38	Handle, Lift
50	6010001-26	Pawl, Height Adjust
51	6010001-59	Tie Rod
52	6010000-25	Cotter Pin
53	6010007-16	Bracket, L. H. Front Hanger
54	6010007-21	Assembly, Front Lift Shaft
55	6010007-17	Bracket, R. H. Front Hanger
56	6010007-20	Bracket, Hanger
57	6010007-19	Assembly, Rear Lift Shaft
58	6010002-58	Fender Support, R. H.
59	6010000-06	Screw, Hx Hd, 5/16-18 x 5/8 In.
60	6010002-59	Support, Shift Plate
61	6010006-20	Cover, Seat Spring
62	6010007-37	Quadrant
63	6010005-75	Nut, Hx, Wd Fl Lk, 1/4-20 Thd.
64	6010007-70	Assembly Brkt & Engagement Hand
65	6010000-08	Nut, HX Ctrlk, 1/2-13 Thd.
66	6010000-35	Screw, Hex, 3/8-16x2-1/4 In.
67	6010001-04	Nut, Hex Keps, 3/8-16 Thd.
68	6010000-88	Bolt, .437x.156 Hhsh 5/16-18
69	6010002-75	Bolt, Shoulder, 7/16 In.
70	6010002-51	Spring, Tension
71	6010002-37	Handle, Lift
72	6010001-32	Clip
73	6010002-28	Assembly, Spring Cartridge
74	6010000-66	Screw, 1/4-20x1/2 In.
75	6010007-71	Part's Manual (Not Illustrated) French and English
76	6010007-72	Operator's Manual (Not Illustrated) French
77	6010007-73	Operator's Manual (Not Illustrated) English

TRACTOR REPAIR PARTS

40" TRACTOR MODEL 4125G



TRACTOR REPAIR PARTS

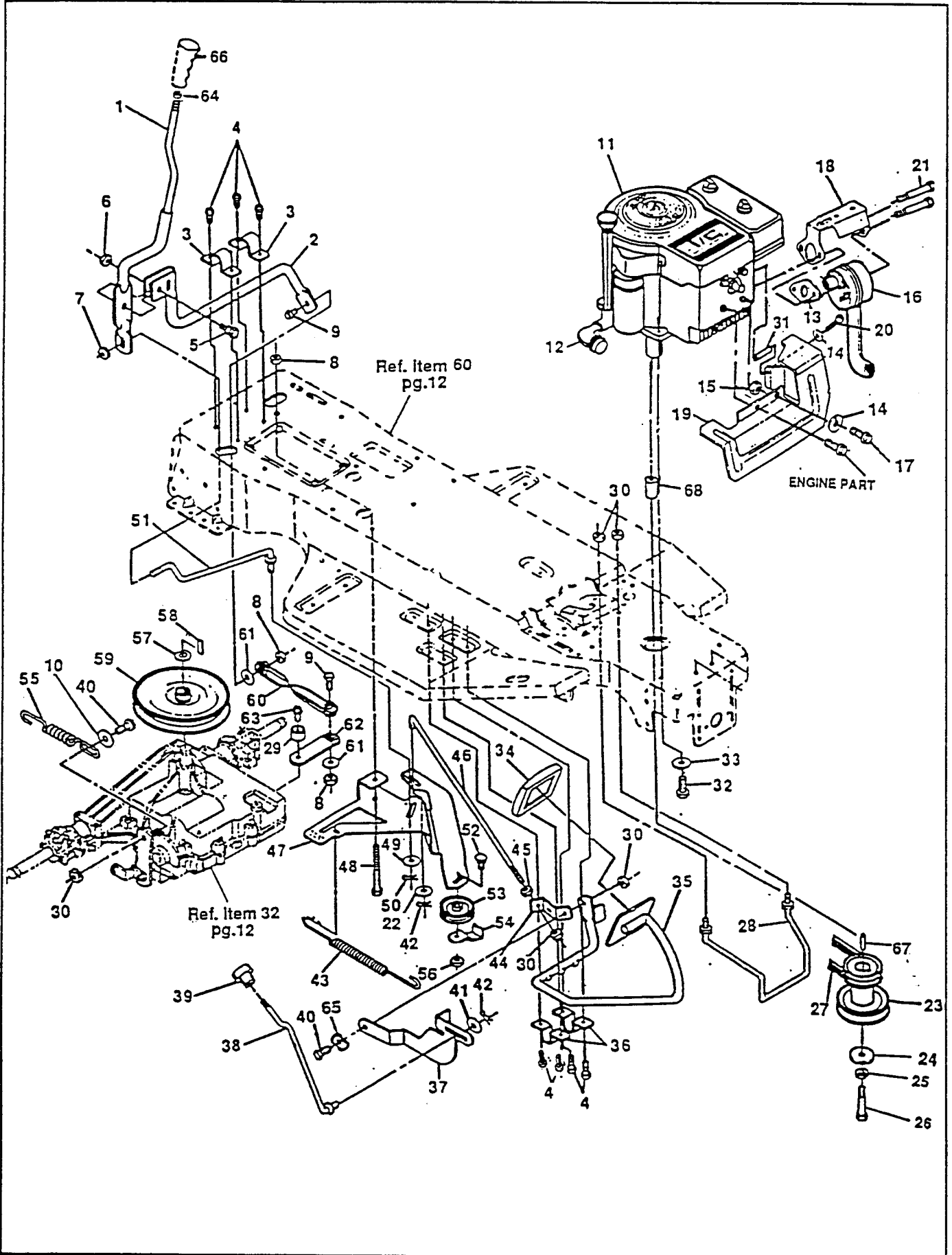
40" TRACTOR MODEL 4125G (601 10 00-04)

Key No.	Part No.	Description	Key No.	Part No.	Description
1	6010003-98	Hood	44	6010001-90	Steering Wheel
2	6010000-99	Shoulder Bolt, 5/16-18 Thd.	45	6010005-48	Pin, , Spring, 1/4 x 2 In.
3	6010000-59	Nut, Hx, Ctrlk, 5/16-18 Thd.	46	6010002-74	Screw, Tap, 1/4-20 x 1/2 In.
4	6010003-04	Lens, Headlight	47	6010000-24	Screw, Hx Hd, 1/4-20 x 5/8 In.
5	6010004-65	Assembly, Foot Pad L. H.	48	6010000-18	Washer, Flat, 9/32 In.
6	6010007-12	Heat Shield	49	6010000-62	Nut, Hx, Ctrlk, 1/4-20 Thd.
7	6010001-14	Screw, Hx Hd, Plastite 1/4 Dia. x 3/4 In	50	6010001-49	Shaft, Steering
8	6010002-72	Tank, Gas 1.5 Gal W/Sensor	51	6010001-64	Pin, Dowel
	6010002-71	Low Fuel Sensor	52	6010001-51	Pinion, Steering
9	6010000-49	Cap, Fuel	53	6010001-63	Bearing, Flange
10	6010007-53	Bracket, Hood L. H.	54	6010007-60	Screw, 5/16-24x.75 Sq.
11	6010005-97	Screw, Hx Hd, 5/16 -18 x 3/4 In.	55	6010001-09	Washer, Flat, 1/2 In.
12	6010007-54	Bracket, Hood R. H.	56	6010000-89	E-Ring
13	6010007-55	Front Axle W/Bearings	57	6010006-23	Ball, Joint, 3/8 Thd.
14	6010000-06	Screw, Hx Hd, 5/16-18 x 5/8 In.	58	6010004-06	Ratchet Fastener
15	6010006-51	Grease Fitting	59	6010003-07	Plug, Front Axle
16	6010001-47	Bearing, Spindle	60	6010007-61	Bumper, Hood/Dash
17	6010005-25	E-Ring	61	6010005-56	Wide Trim 18 "
18	6010000-60	Nut, Hx, Ctrlk, 3/8-16 Thd.	62	6010003-02	Grille
19	6010007-56	Spindle, R. H.	63	6010001-22	Belt Guide
20	601000015	Washer, Split, Lock 3/8 In.	64	6010004-17	Screw, #4-24 x 1/2 In.
21	6010000-10	Nut, Hx, 3/8-24 Thd.	65	6010003-03	Clip, Tinnerman
22	6010001-48	Steering Arm, Upper	66	6010005-19	Screw, 5/16-18 x .50 In.
23	6010006-70	Washer, Flat, 25/64 In.	67	6010001-13	Screw, #10 x 1/2 In.
24	6010001-19	Assembly, Tie Rod	68	6010007-62	Nut, 5/16-24 Hxwdflk
25	6010007-57	Spindle, L.H.	69	6010003-97	Decal, Reflector Ver II, Hood
26	6010000-77	Screw, Hx Hd, 3/8-16 x 2-1/2 In.	70	6010005-91	Screw, Hex Fl, 5/16-18 x 3/4 In.
27	6010007-08	Support Bracket, Front Axle	71	6010000-57	Washer, Internal Tooth
28	6010000-37	Screw, Hx Hd, 3/8-16 x 3 In.	72	6010003-19	Foam, Hood Baffle
29	6010000-98	Washer, Spring			
30	6010005-95	Nut, Hx, Wd Fl Lk 5/16-18 Thd.			
31	6010006-45	Washer, Flat, 3/4 In.			
32	^	Wheel & Tire Assembly, Front			
	Tire	Refer to Tire Tread Page			
	6010007-58	Wheel/With Bearing			
	6010000-96	Valve Stem			
	6010004-58	Bearing			
33	6010001-81	Drag Link			
34	6010000-48	Nut, Hx, Jam, 3/8-24 Thd.			
35	6010002-90	Hubcap, Front			
36	6010002-94	Clip, Hubcap			
37	6010004-64	Assembly, Foot Pad R. H.			
38	6010007-00	Dash, Lower			
39	6010005-44	Screw, Tap, 5/16-18 x 3/8 In.			
40	6010006-68	Screw, Self-Tap, 1/4-20 x 1/2 In.			
41	6010002-47	Cover			
42	6010001-92	Bushing, Upper Steering			
43	6010007-59	Dash, Upper			

(^) Order Parts Individually

TRACTOR REPAIR PARTS

40" TRACTOR MODEL 4125G



TRACTOR REPAIR PARTS

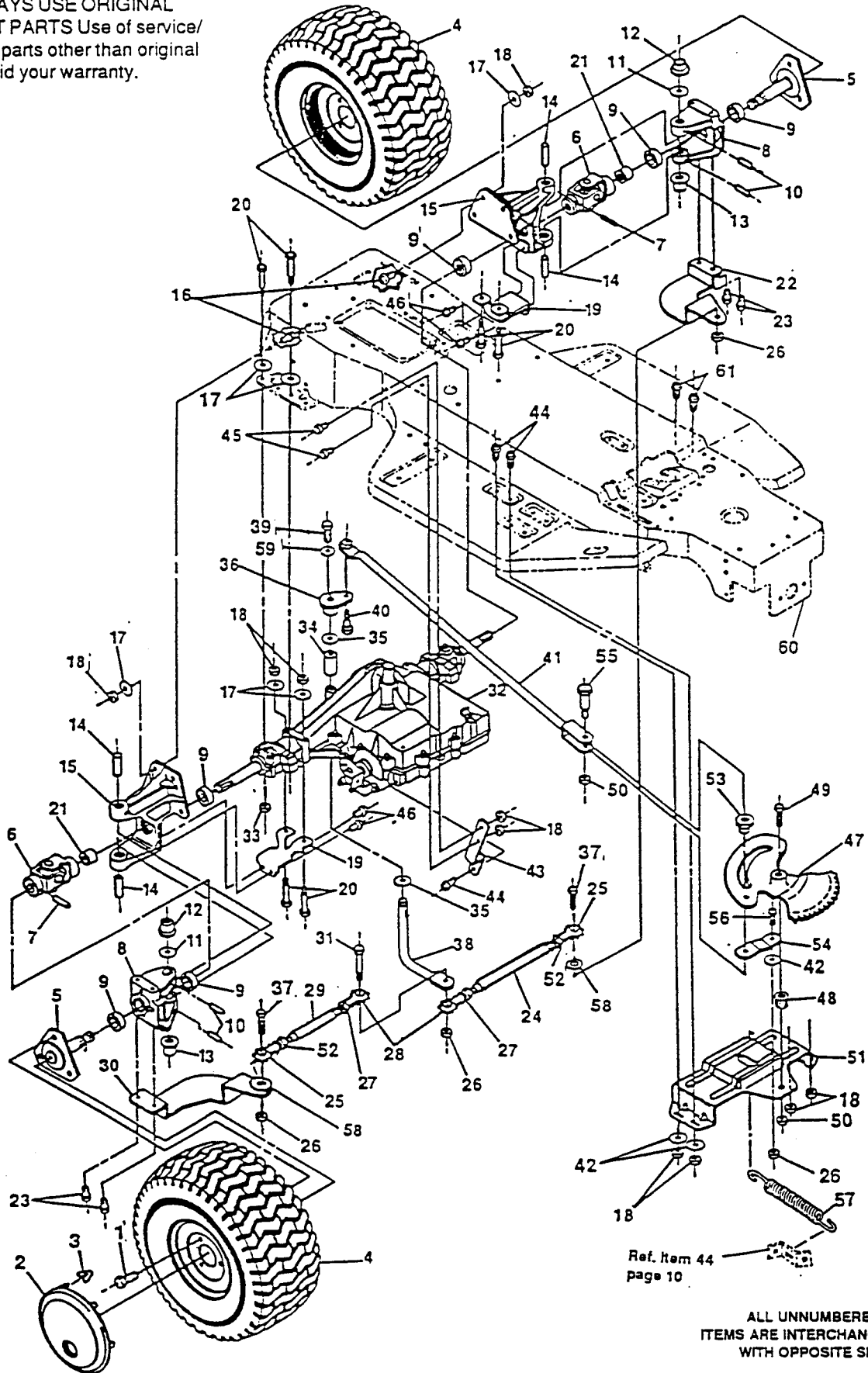
40" TRACTOR MODEL 4125G (601 10 00-04)

Key No.	Part No.	Description	Key No.	Part No.	Description
1	6010006-98	Tube Assembly, Shift Pivot	35	6010007-74	Assembly, Clutch/Brake Arm
2	6010001-96	Tube Assembly, Shift	36	6010004-42	Bracket, Clutch/Brake Arm
3	6010001-65	Clip, Shift Lever	37	6010002-11	Lever, Park Brake
4	6010005-19	Screw, Hx Hd, Wshr Tap 5/16-18 x 1/2 In.	38	6010002-14	Rod, Parking Brake
5	6010001-99	Shoulder Bolt	39	6010002-19	Knob, Parking Brake
6	6010000-62	Nut, Hx, Ctrlk, 1/4-20 Thd.	40	6010000-99	Shoulder Bolt, 5/16-18 Thd.
7	6010006-53	Nut, Hx, Nylon, Lock 3/8-16 Thd.	41	6010000-17	Washer, 9/16 In.
8	6010000-60	Nut, Hx, Ctrlk, 3/8-16 Thd.	42	6010000-26	Cotter Pin
9	6010000-33	Screw, 3/8-16 x 1-1/4 In.	43	6010002-12	Spring, Clutch
10	6010003-22	Washer	44	6010002-07	Bracket, Brake Rod
11		Engine 12.5 Horsepower B&S	45	6010001-03	Nut, Hx, Keps, 5/16-18 Thd.
12	6010000-05	Elbow, 90°, 3/8 In.	46	6010002-13	Rod, Clutch
13	6010005-53	Gasket, Muffler	47	6010001-97	Arm, Idler
14	6010000-14	Washer, Split Lock	48	6010005-74	Shoulder Bolt, 3/8-16 Thd.
15	6010000-12	Nut, Hex 5/16-18 Thd.	49	6010001-06	Washer, Flat, 13/32 In.
16	6010003-89	Muffler, Round 5" Diameter	50	6010005-23	Hairpin
17	6010001-17	Screw, Wa Tap, 1/4-20 x 7/8 In	51	6010001-98	Rod, Shift-On-The-Go
18	6010002-61	Shield, Muffler	52	6010006-27	Carriage Bolt, 3/8-16 x 2 In.
19	6010007-26	Heat Shield, Engine	53	6010005-30	Idler Sheave, Backside
20	6010000-84	Screw, Hex Hd, 1/4-20 x 3-1/2 In.	54	6010002-01	Belt Retainer
21	6010002-60	Bolt, Shoulder, 5/16-18 x 4-1/3 In.	55	6010002-09	Spring, Brake
22	6010000-18	Flatwasher, .281 ldx.63 Od	56	6010005-42	Nut, Flange, 3/8-16 Thd,
23	6010002-93	Pulley, Engine	57	6010000-93	Retaining Ring
24	6010006-13	Washer, Pilot	58	6010001-29	Key, Woodruff, #606
25	6010000-16	Washer, Split, Lock 7/8 In.	59	6010001-89	Pulley
26	6010005-38	Screw, Hx Hd, 7/16-20 X 5 In.	60	6010003-59	Shift Link
27	6010001-94	V-Belt, 90 In. Long	61	6010000-20	Washer, Flat, 13/32 In.
28	6010003-76	Belt Guide	62	6010001-66	Shift Lever, Transaxle
29	6010006-22	Washer, Special	63	6010006-06	Screw, Hx Hd, 1/4-28 X 3/4 In.
30	6010000-59	Nut, Hex, Ctrlk, 5/16-18 Thd.	64	6010000-13	Nut, 3/8-16 Reg Hx
31	6010003-90	Spacer, Heat Shield	65	6010001-78	Washer, Wave
32	6010005-73	Screw, Hex Hd Tap, 3/8-16 x 1-1/4 In.	66	6010002-36	Handle, 3/8-16 Molded Grey
33	6010000-56	Washer, 3/8 In.	67	6010006-35	Key, Square 1/4
34	6010001-54	Pad, Clutch/Brake, Molded	68	6010002-15	Spacer, Engine Pulley

TRACTOR REPAIR PARTS

40" TRACTOR MODEL 4125G

NOTE: ALWAYS USE ORIGINAL EQUIPMENT PARTS Use of service/ replacement parts other than original parts may void your warranty.



ALL UNNUMBERED
ITEMS ARE INTERCHANGEABLE
WITH OPPOSITE SIDE

TRACTOR REPAIR PARTS

40" TRACTOR MODEL 4125G (601 10 00-04)

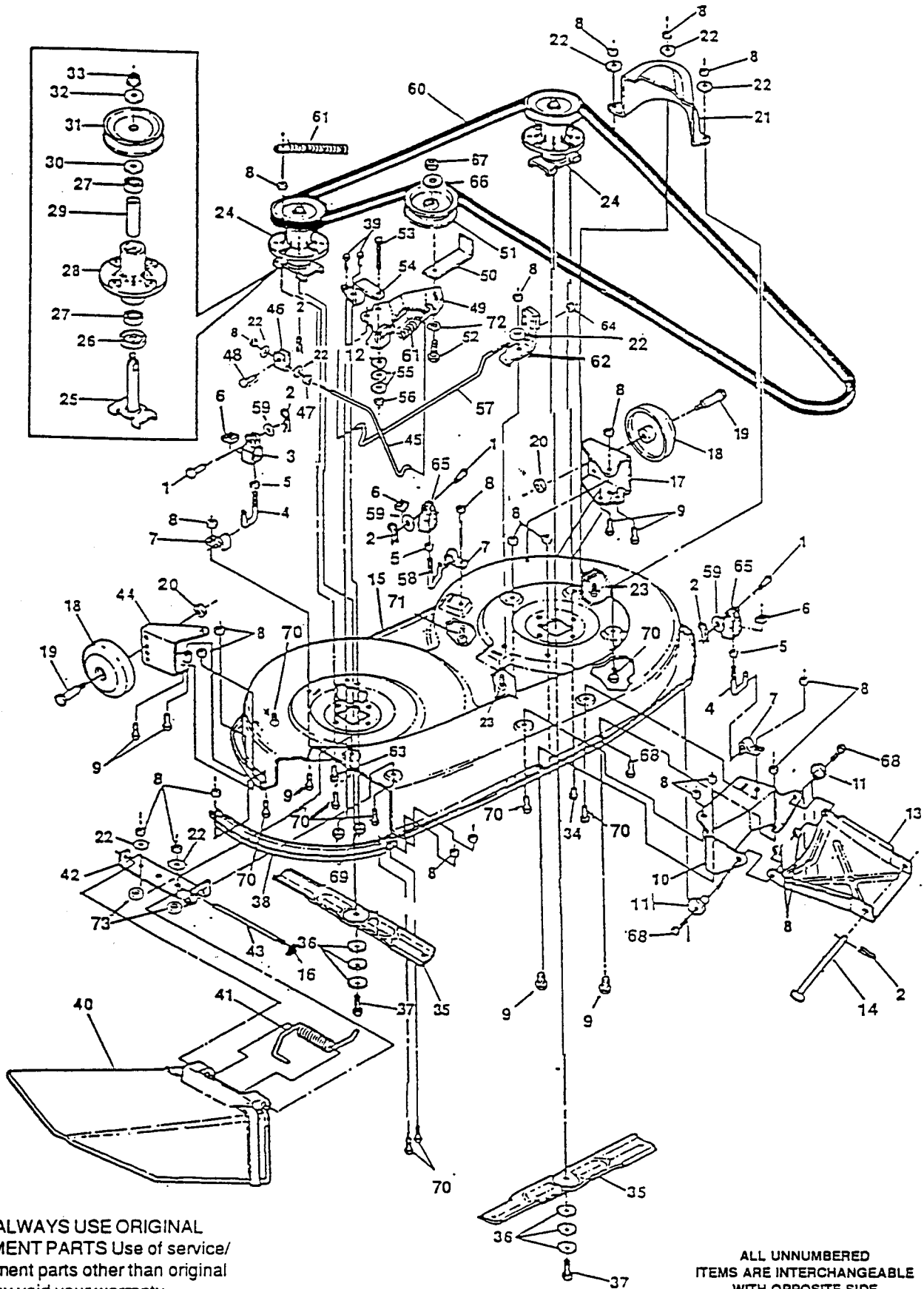
Key No.	Part No.	Description	Key No.	Part No.	Description
1	6010000-44	Screw, Hx Hd, 1/2-20 x 1/2 In.	39	6010005-36	Screw, 5/16-24 x 1 In.
2	6010002-91	Hubcap, 8 In.	40	6010000-41	Bolt, Shoulder, 3/8-24 Thd.
3	6010002-94	Clip, Hubcap	41	6010001-68	Rod Assembly, Rear Wheel Steer
4	(^)	Wheel & Tire Assembly, Rear	42	6010005-41	Washer, Flat, 3/8 In.
	6010006-40	Tire, 20x10.0x8, Turf	43	6010007-79	Bracket, Transaxle Stabilizer
	6010000-46	Wheel	44	6010005-20	Screw, Hx Hd, Self-Tap, 5/16-18 x 3/4 In.
	6010000-96	Valve Stem	45	6010000-60	Screw, 5/16-18x.63 Hhc Gr2
5	6010007-34	Hub Assembly	46	6010005-70	Screw, 5/16-18X.88 Wahhtap
6	6010007-75	U-Joint Assembly	47	6010001-75	Assembly, Sector Gear
7	6010005-22	Pin, Grooved, 1/4 x 1-1/2 In.	48	6010001-76	Bushing, Sector Gear
8	7601000-04	Bracket Assembly, Steering Pivot, Outer	49	6010002-18	Screw, Hx Hd, 1/2-20 x 2-3/8 In.
9	6010000-43	Bearing	50	6010001-07	Nut, Hx, Ctrlk, 1/2-20 Thd
10	6010005-50	Pin, Spring, 1/4 x 1-1/2 In.	51	6010007-18	Plate, 4-Wheel Steer Pivot
11	6010000-92	Washer, Flat	52	6010003-34	Nut, Jam, 3/8-24 Thd.
12	6010000-38	Bushing, Shouldered	53	6010002-03	Cam Yoke Roller
13	6010000-42	Bushing, Shouldered	54	6010001-69	Arm, Roller Swing
14	6010000-39	Pin, Steering Hinge	55	6010002-05	Shoulder Bolt, Cam Roller
15	7601000-04	Bracket Assembly, Steering Pivot, Inner	56	6010001-67	Shoulder Bolt, Cam Follower Arm Pivot
16	6010000-29	Screw, Hx Hd, 5/16-18 x 1 In.	57	6010005-17	Spring, Clutch/Brake Pedal Return
17	6010000-19	Washer, Flat, 11/32 In.	58	6010000-15	Washer, Split Lock
18	6010000-59	Nut, Hx, Ctrlk 5/16-18 Thd.	59	6010005-47	Washer, Flat
19	6010007-76	Bracket, Transaxle Mounting	60	6010007-80	Main Frame
20	6010007-77	Screw, 5/16-18x2.50 Hhc Gr5.	61	6010005-19	Screw, 5/16-18 x 1/2 In. Taptite
21	6010002-06	Spacer			
22	6010007-10	Arm, Rear Wheel Steer, L. H.			
23	6010007-78	Screw, 3/8-16x1.00 Wahhtap blk			
24	6010003-35	Tie Rod, L.H. (1/2"x9-1/2")			
25	6010003-33	Tie Rod End, L.H.			
26	6010005-32	Nut, Hex, Ctrlk, 3/8-24 Thd.			
27	6010000-48	Nut, Hex, Jam, 3/8-24 Thd.			
28	6010002-17	Tie Rod End, R.H.			
29	6010003-36	Tie Rod , 1/2 x 8" Long			
30	6010007-09	Arm, Rear Wheel Steer, R. H.			
31	6010000-82	Screw, Hx Hd, 3/8-24 x 1-3/4 In. (*)			
33	6010005-40	Nut, Hx, Wd Fl, Lk 5/16-18 Thd			
34	6010002-02	Spacer			
35	6010001-00	Washer, Flat, 49/64 In.			
36	6010003-39	Steering Pivot			
37	6010000-81	Screw, 3/8-24 x 1-1/4 In.			
38	6010003-41	Shaft, Steering Pivot			

(^) Order Individual Parts

(*) Contact Your Nearest Transaxle Dealer For Parts & Service

TRACTOR REPAIR PARTS

40" TRACTOR MODEL 4125G



NOTE: ALWAYS USE ORIGINAL EQUIPMENT PARTS Use of service/ replacement parts other than original parts may void your warranty.

ALL UNNUMBERED ITEMS ARE INTERCHANGEABLE WITH OPPOSITE SIDE

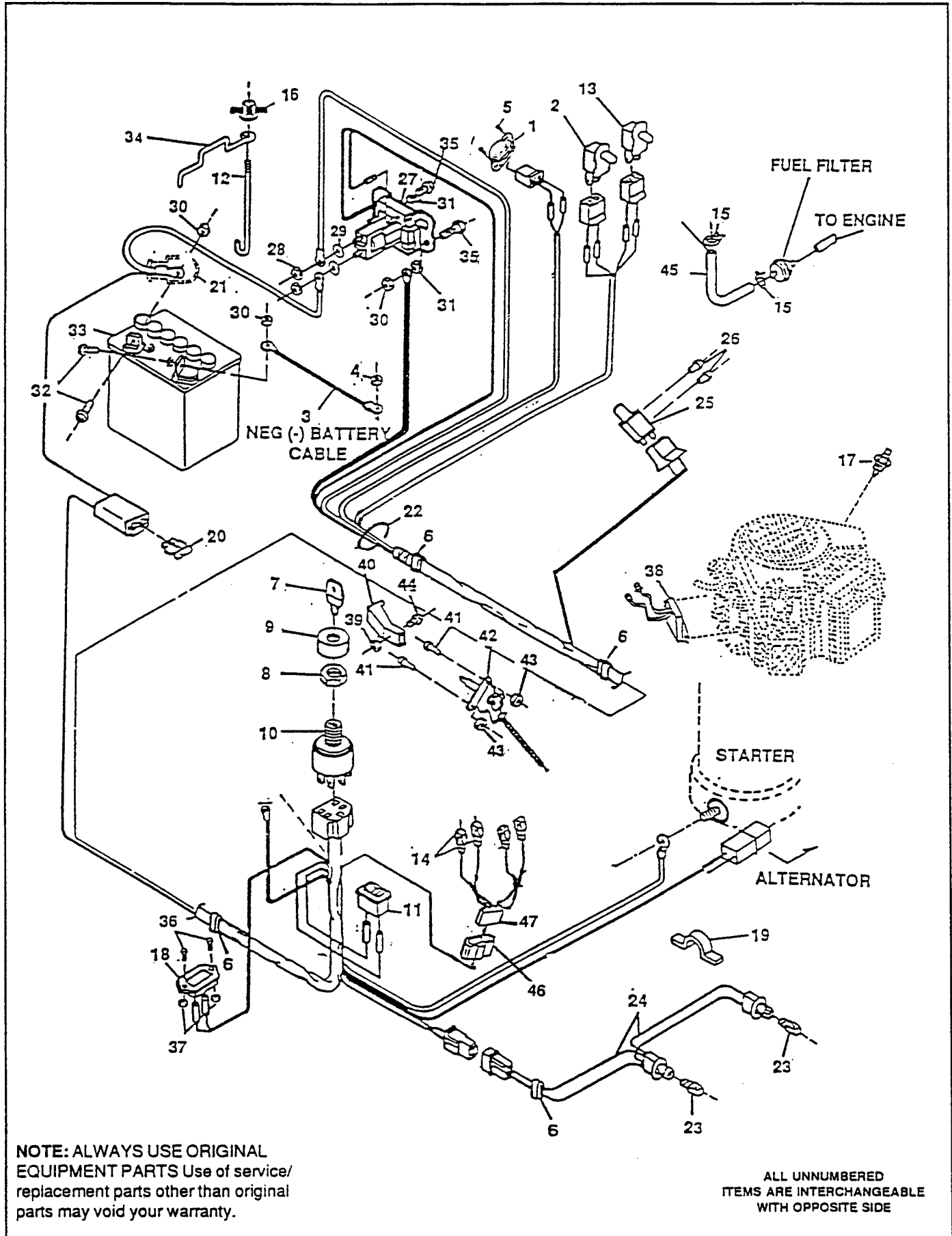
TRACTOR REPAIR PARTS

40" TRACTOR MODEL 4125G (601 10 00-04)

Key No.	Part No.	Description	Key No.	Part No.	Description
1	6010001-18	Pin, Clevis	41	6010004-66	Spring
2	6010006-04	Hairpin, Cotter	42	6010001-58	Bracket, Chute Mount
3	6010002-48	Clevis	43	6010002-24	Rod, Chute
4	6010003-62	Lift Rod	44	6010002-10	Wheel Bracket, R. H.
5	6010000-08	Nut, Hx Jam 1/2-13 Thd.	45	6010001-88	Clutch Rod
6	6010000-04	Nut, Sq. 1/2-13 Thd.	46	6010002-49	Clevis
7	6010001-32	Clip	47	6010000-12	Nut 5/16-18
8	6010000-59	Nut, Hx, Lock 5/16-18 Thd.	48	6010005-63	Clevis, Pin
9	6010000-72	Screw, Hx Hd, 5/16-18 x 5/8 In.	49	6010007-85	Idler Assembly
10	6010003-53	Bracket, Front	50	6010000-54	Belt Retainer
11	6010006-39	Nut, Adjusting	51	6010003-91	Idler Pulley
12	6010006-69	Washer .391 x 1.00 x .209	52	6010006-27	Carriage Bolt, 3/8-16 x 2 In.
13	6010004-02	Channel, Draw Bar	53	6010002-22	Shoulder Bolt, 3/8-16 x 3/4 In.
14	6010001-83	Rod, Drawbar	54	6010001-57	Idler Brace
15	6010007-81	Mower Deck	55	6010006-70	Washer, Flat .391 x 1.00 x .125
16	6010005-16	Push Nut	56	6010005-42	Nut, Hx, Wd Fl, 3/8-16 Thd.
17	6010002-25	Wheel Bracket, L. H.	57	6010001-72	Brake Rod
18	6010001-70	Wheel	58	6010004-22	Lift Rod
19	6010000-95	Shoulder Bolt, 3/8-16 Thd.	59	6010001-06	Flatwasher
20	6010000-60	Nut, Hex, Ctrlk, 3/8-16 Thd.	60	6010005-58	Belt, 83 In. Long
21	6010001-73	Belt Cover, Left Pulley	61	6010005-17	Spring
22	6010000-18	Flatwasher, 11/32 In.	62	6010002-04	Brake Blade
23	6010000-06	Screw, Hx Hd, 5/16-18 x 5/8 In.	63	6010001-21	Screw, Tap, 5/16-18 x 1-3/8 In.
24	6010006-11	Quill Assembly (Incl Nos. 25-33)	64	6010000-62	Nut 1/4-20
25	6010006-12	Saddle & Shaft Assembly	65	6010002-27	Clevis
26	6010005-69	Dust Shield	66	6010000-15	Washer, Split, Lock 3/8 In.
27	6010000-50	Bearing	67	6010000-13	Nut, Hx, 3/8-16 Thd.
28	6010007-82	Quill Housing	68	6010000-74	Screw, 5/16-18 x 1 In.
29	6010005-72	Spacer Tube	69	6010005-40	Nut, 5/16-18 Thd.
30	6010007-83	Spacer	70	6010007-86	Bolt, Carriage 5/16-18x.63 Gr5
31	6010007-84	Pulley	71	6010005-46	Bolt, Carriage 5/16-18x.63 Gr2
32	6010006-09	Washer	72	6010005-41	Washer, 3/8x7/8x.082
33	6010000-53	Nut, Wd Fl, Lk 7/16-20 Thd.	73	6010007-87	Flatwasher, .469x.92x.065
34	6010005-70	Screw, Wshr Hd, 5/16-18 x 7/8"			
35	6010001-87	Blade, 20.32 Hi-Lift			
36	6010000-98	Washer, Spring			
37	6010005-27	Screw, Hx Hd, 3/8-24 x 1 In.			
38	6010002-00	Toe Guard			
39	6010000-73	Screw, Hx Hd, 5/16-18 x 3/4 In.			
40	6010002-23	Chute Deflector			

TRACTOR REPAIR PARTS

40" TRACTOR MODEL 4125G



NOTE: ALWAYS USE ORIGINAL EQUIPMENT PARTS Use of service/replacement parts other than original parts may void your warranty.

ALL UNNUMBERED ITEMS ARE INTERCHANGEABLE WITH OPPOSITE SIDE

TRACTOR REPAIR PARTS

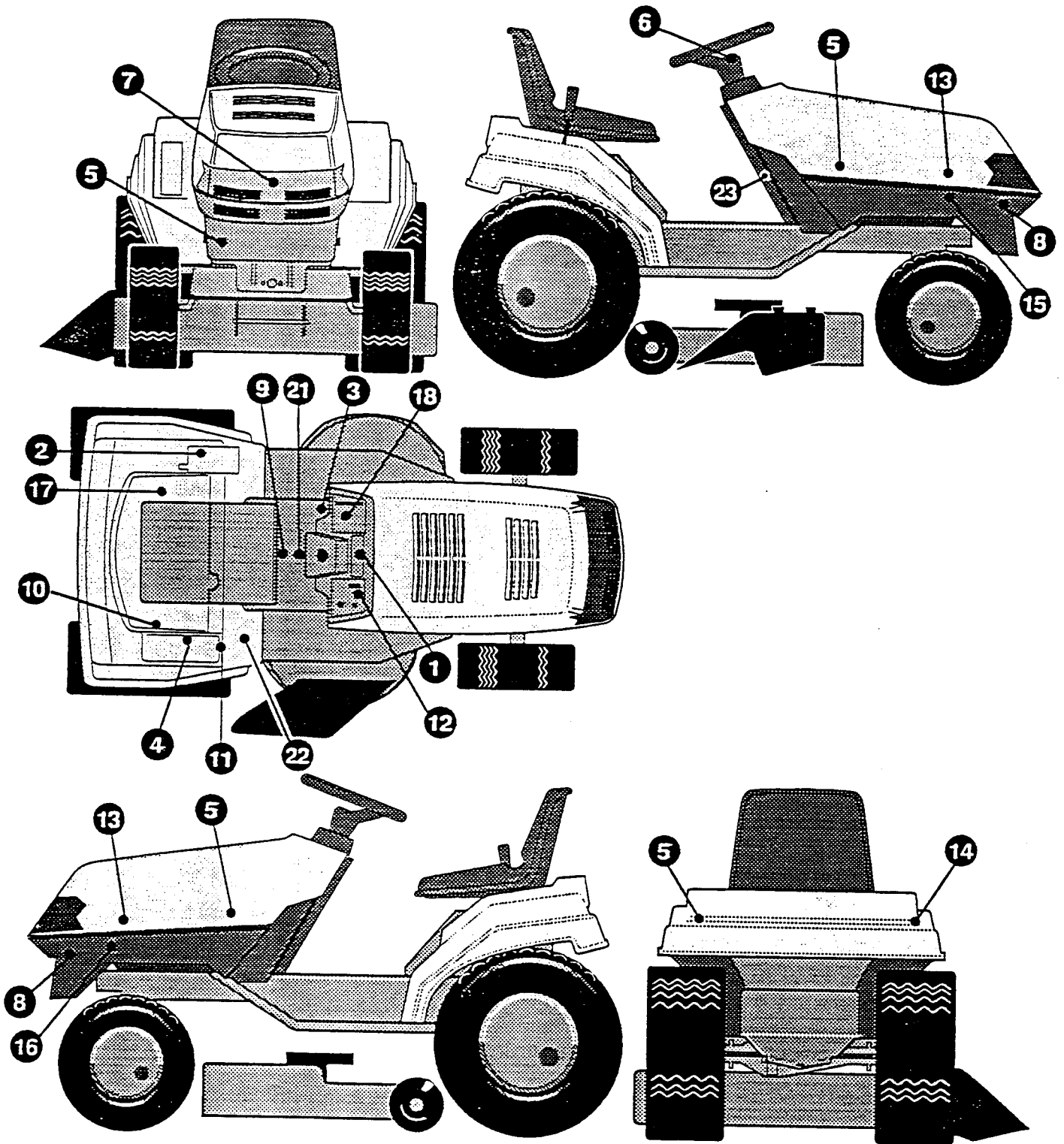
40" TRACTOR MODEL 4125G (601 10 00-04)

Key No.	Part No.	Description
1	6010006-29	Seat Switch
2	6010003-21	Switch, Snap Mnt No. .140 Blue
3	6010005-96	Cable, Battery, Negative
4	6010001-30	Nut, Hx, Keps, 5/16-18 Thd.
5	6010000-65	Screw, 1/4-20 x .38
6	6010006-28	Tie Cable
7	6010001-23	Key, Ignition Switch
8	6010001-11	Nut, Switch
9	6010001-12	Boot, Switch
10	6010002-70	Switch, Ignition
11	6010001-20	Switch, Light
12	6010006-30	Rod, Battery Hold-Down
13	6010000-51	Switch, Snap Mnt No. .140 Wh.
14	6010006-33	Bulb, Indicator
15	6010005-61	Clamp, Gas Line
16	6010003-71	Wingnut
17	6010004-62	Oil Sensor
18	6010002-40	Minature Hour Meter
19	6010005-34	Press Clip
20	6010001-27	Fuse, 15A-32V, Spade Type
21	6010003-23	Boot, Rubber (Battery Cable)
22	6010007-88	Wire Harness
23	6010005-89	Bulb Headlamp
24	6010001-86	Assembly, Light Wire
25	6010006-91	Switch
26	6010006-26	Screw, Pn Hd, Tap #12 x 1/2 In.
27	6010005-92	Solenoid
28	6010000-09	Nut, Hx 5/16-24 Thd.
29	6010000-55	Washer, Lock 5/16 In.

Key No.	Part No.	Description
30	6010001-02	Nut, Hx, Keps, 1/4-20 Thd.
31	6010000-62	Nut, Hx, Ctrlk, 1/4-20 Thd.
32	6010000-24	Screw, 1/4-20 x 5/8 In.
33	6010001-36	Battery
34	6010001-82	Bracket, Battery Hold-Down
35	6010000-83	Screw, 1/4-20 x 3/4 In.
36	6010007-89	Screw, #6-32 x .50
37	6010001-05	Nut, Hx Keps 6-32
38	6010003-06	Regulator, Sen. Volt BS with Sensor
39	6010000-22	Nut, Hex. #8-32 Thd.
40	6010002-26	Knob, Throttle Control
41	6010007-90	Screw #10-24 x 5/8
42	6010004-81	Throttle Control
43	6010003-37	Nut, Hex, Nylon Lock #8-32 x 3/8 In.
44	6010000-63	Screw, Ph, Pn, #8-32 x 3/8 In.
45	6010005-55	Gas Line
46	6010007-91	Low Fuel Wire
47	6010002-69	4-Pin Lamp Holder

TRACTOR REPAIR PARTS

40" TRACTOR MODEL 4125G

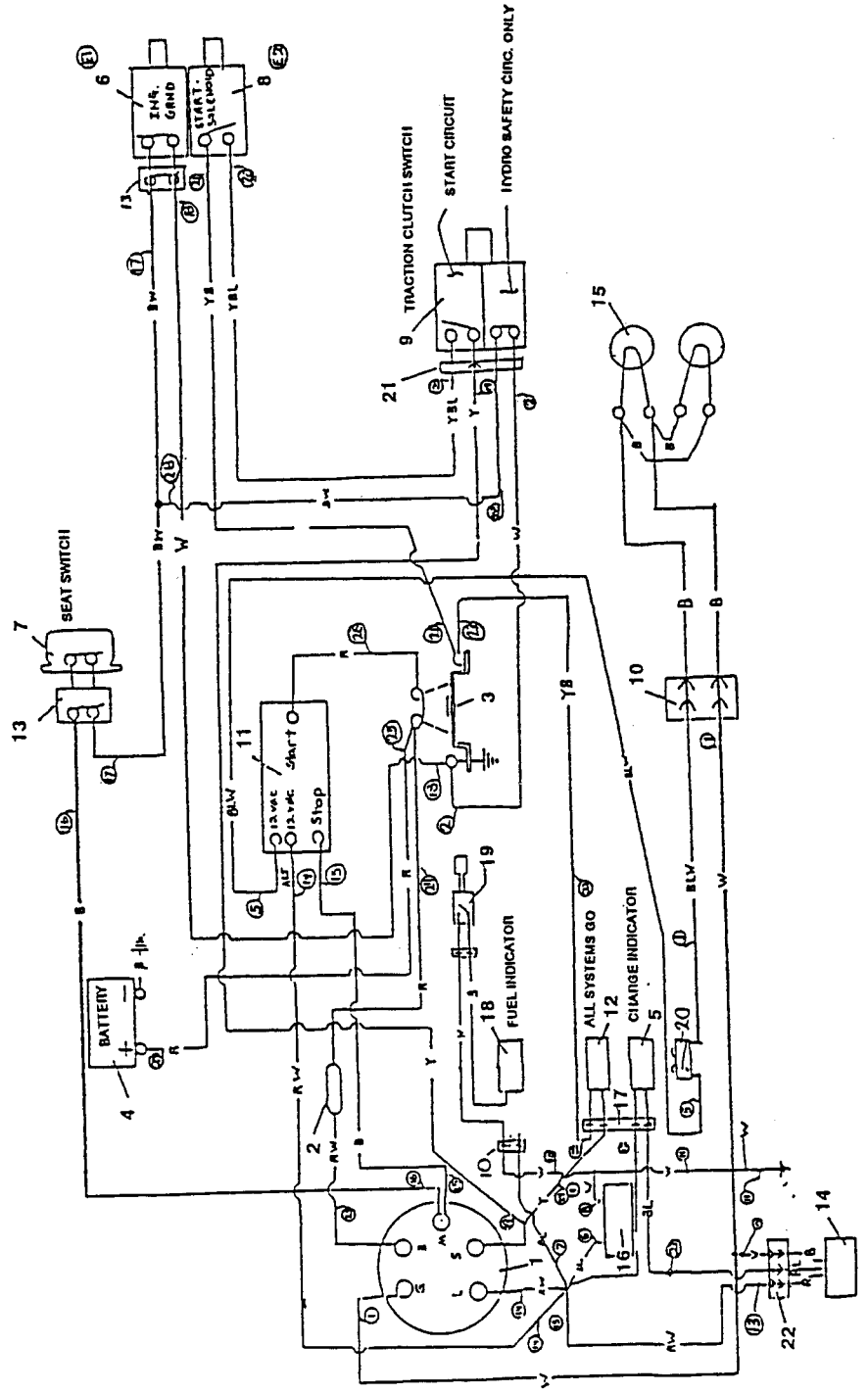


TRACTOR REPAIR PARTS

40" TRACTOR MODEL 4125G (601 10 00-04)

Key#	Part#	Description	Qty.
1.	6010007-92	DECAL, DASH CHG,BLK,FUEL,ALL SY	1
2.	6010003-14	DECAL, GEAR SHIFT 6 SPEED ERO	1
3.	6010006-74	DECAL, GEAR SHIFT NEUTRAL ERO	1
4.	6010007-93	DECAL, BLADE CLUT/DECK HGTH ERO	1
5.	6010007-94	DECAL, INSTR FRENCH (CAN) ERO LT	1
6.	6010007-95	DECAL, SHIFT INDICATOR EXPORT	1
7.	6010004-10	DECAL, FENDER REAR,HOOD HUSQ.	4
8.	6010004-11	DECAL, GUNSIGHT CENT. STEER	1
9.	6010004-12	DECAL, GUNSIGHT CLEAR BACK	1
10.	6010004-13	DECAL, WHEEL 4 STEER HUSQ.	2
11.	6010007-96	DECAL, INSTRUC CONSOLE TOP	1
12.	6010004-38	DECAL, 4WS PATENT NO. 5048853	1
13.	6010004-47	DECAL, DEPRESS CL/BRAKE	1
14.	6010007-97	DECAL, DASH RH ISO HR,LG,SW	1
15.	6010004-89	DECAL, SHIFT-N-GO (HUSQ)	2
16.	6010007-98	DECAL, MODEL #4125G	2
17.	6010004-92	DECAL, PIN STRIPE RH	1
18.	6010004-93	DECAL, PIN STRIPE LH	1
19.	6010007-99	DECAL, DASH LEFT ENGLISH/ISO	1
20.		REFERENCE ONLY	
21.		REFERENCE ONLY	
22.	6010008-01	DECAL, OPER. INSTR. ERO TOP FRAME	1
23.	6010008-02	DECAL, DANGER FR/ENG	1
24.	6010008-03	DECAL, PARK BRAKE EXP	1

FOR MODELS 4125H & 4125G



UNITS WITH
DASH WARNING LIGHTS
AND SEAT SWITCH

Clutch Switch is normally open on Starter Circuit
nc on Hydro. Interlock
Seat Switch in normally closed.

Deck Switch for Ignition Ground is normally closed.
Deck Switch for Solenoid is normally open.

	G	M	B	L	S
OFF	o	o			
ON			o	o	
START			o	o	o

- W= WHITE
- R= RED
- B= BLACK
- Y= YELLOW
- G= GREEN
- BW= BLACK/WHITE
- BL= BLUE
- RW= RED/WHITE
- GW= GREEN/WHITE
- WB= WHITE/BLACK
- YB= YELLOW/BLACK
- WBL= WHITE/BLUE
- YBL= YELLOW/BLUE
- BLW= BLUE/WHITE
- BR= BLACK/RED

- 1 IGNITION SWITCH
- 2 FUSE,15A
- 3 SOLENOID
- 4 BATTERY
- 5 ALTERNATOR LIGHT
- 6 DECK SWITCH (ign. grd, SAFETY CIRC.)
- 7 SEAT SWITCH (SAFETY CIRCUIT
- 8 DECK SWITCH (START CIRCUIT)
- 9 CLUTCH SWITCH
- 10 PLUG-2 SOCKET
- 11 ENGINE
- 12 WARNING LIGHT, CLUTCH & MOWER
- 13 *PLUG, SEAT SWITCH & DECK SWITCH
- 14 **VOLTAGE DETECTOR
- 15 HEADLIGHTS
- 16 **HOUR METER
- 17 PLUG-4 PIN LAMP HOLDER
- 18 **WARNING LIGHT-FUEL LOW
- 19 **LOW FUEL SWITCH
- 20 HEAD LIGHT SWITCH
- 21 PLUG-CLUTCH SWITCH
- 22 PLUG-3 PIN (VOLTAGE DETECTOR)

*SWITCH PLUG CLOSSES CIRCUIT
WHEN SWITCH IS UNPLUGGED
**IF SO EQUIPPED

