



SERVICE PARTS LIST

BULLETIN NO.
54-46-1325

SPECIFY CATALOG NO. AND SERIAL NO. WHEN ORDERING PARTS		REVISED BULLETIN	DATE
SMALL BASE DYMORIG			Nov. 2002
CATALOG NO.	4115	STARTING SERIAL NO.	A08A*
WIRING INSTRUCTION			

EXAMPLE:

00 0

Component Parts (Small #)
Are Included When Ordering
The Assembly (Large #).

***Early production of
this stand did not
have a serial number.**

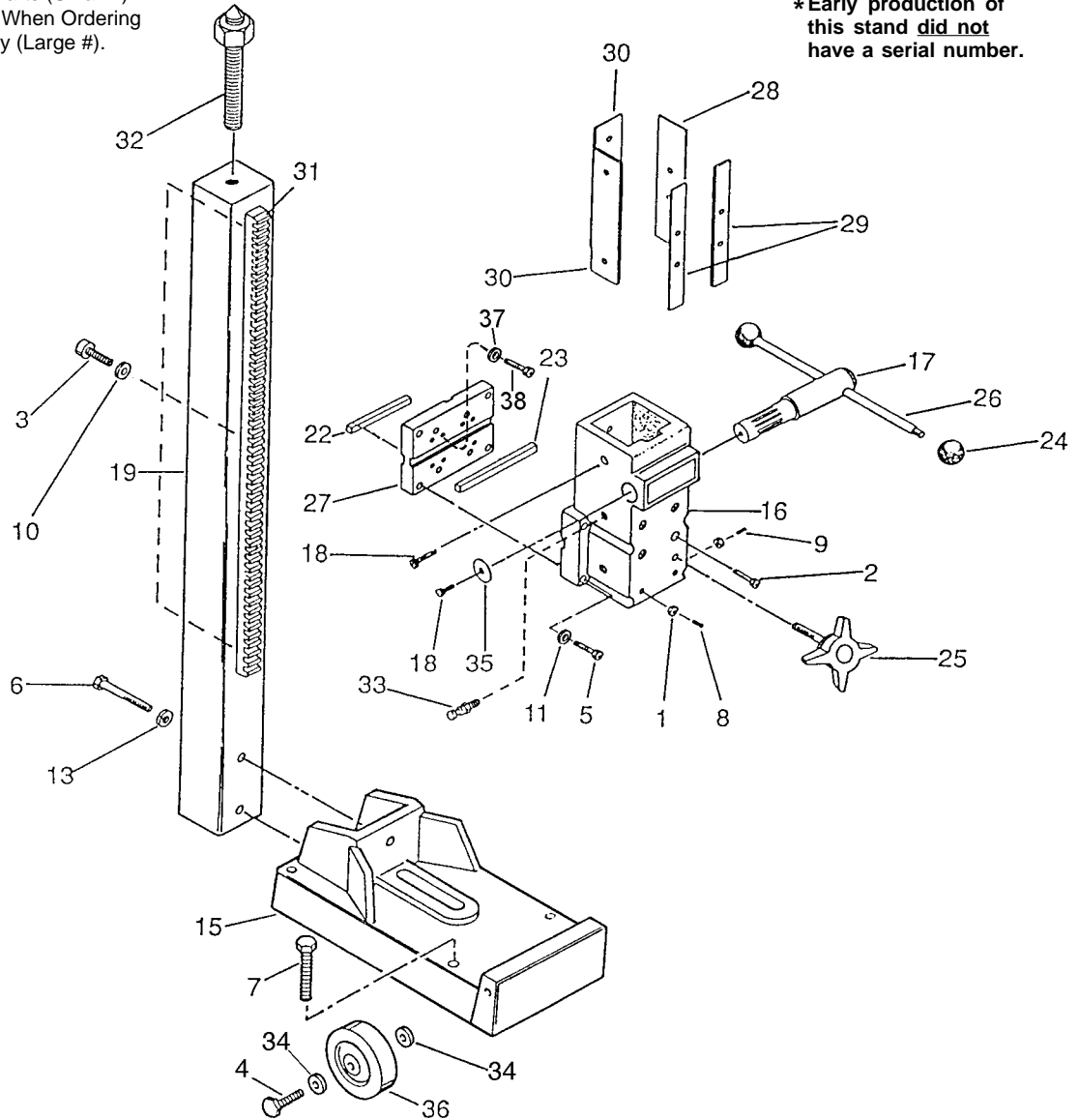


FIG.	PART NO.	DESCRIPTION OF PART	NO. REQ.	FIG.	PART NO.	DESCRIPTION OF PART	NO. REQ.
1	06-55-1525	1/4-20 Hex Nut	(5)	25	43-98-0525	Carriage Screw	(1)
2	06-75-3050	1/4-20 x 3/4" Socket Hd. Screw	(4)	26	44-10-0365	Bar Handle	(1)
3	06-75-3920	5/16-18 Socket Hd. Screw	(3)	27	44-34-0190	Motor Mount	(1)
4	06-75-0970	1/2" Hex Hd. Cap Screw	(2)	28	44-52-0605	Wear Pad	(1)
5	06-75-5840	3/8-16 Socket Hd. Cap Screw	(4)	★ 29	44-52-0665	Gib	(2)
6	06-75-5845	5/8-11 Hex Hd. Cap Screw	(2)	★ 30	44-52-0675	Wear Pad	(2)
★ 7	06-83-5150	5/8-11 x 4-1/2" Hex Head Cap Screw	(4)	31	44-80-0175	Rack	(1)
8	06-83-6010	1/4-20 x 1-1/2" Set Screw	(3)	32	45-04-0535	Jack Screw Assembly	(1)
9	06-83-6020	1/4-20 x 1" Set Screw	(3)	33	45-58-0280	Mounting Stud	(1)
10	06-97-4110	5/16" Split Ring Lockwasher	(3)	34	45-88-7460	1/2" Flat Washer	(4)
11	06-97-4127	Lockwasher	(4)	35	45-88-8675	Shaft Washer	(1)
13	06-97-4400	5/8" Split Ring Lockwasher	(2)	36	45-94-0135	Wheel	(2)
14	12-99-1310	Nameplate Blank	(1)	★ 37	06-97-4050	1/4" Lockwasher	(4)
15	28-06-1110	Small Base	(1)	★ 38	06-75-3090	1/4-20 x 7/8" Screw	(4)
★ 16	28-23-3415	Carriage	(1)		49-96-0060	1/8" Hex Key	(1)
17	36-66-4620	Pinion Shaft	(1)		49-96-0080	3/16" Hex Key	(1)
18	06-75-2950	1/4-20 x 1/2" Socket Hd. Cap Screw	(7)		49-96-0120	5/16" Hex Key	(1)
19	42-78-0050	Column	(1)				
22	43-96-0200	3/8 x 3/8 x 3" Key	(1)				
23	43-96-0210	3/8 x 3/8 x 5" Key	(1)				
24	43-98-0050	Plas)tic Knob	(2)				

MILWAUKEE ELECTRIC TOOL CORPORATION
13135 W. LISBON RD., BROOKFIELD, WI 53005