



SERVICE PARTS LIST

DRILL STAND

Catalog No. 4104

Starting
Serial No. **562-1001**

Specify Catalog and Serial No. when ordering parts

BUL. 54-46-1020

REVISED BUL. DATE
July '80

WIRING INSTRUCTIONS
58-01-0662

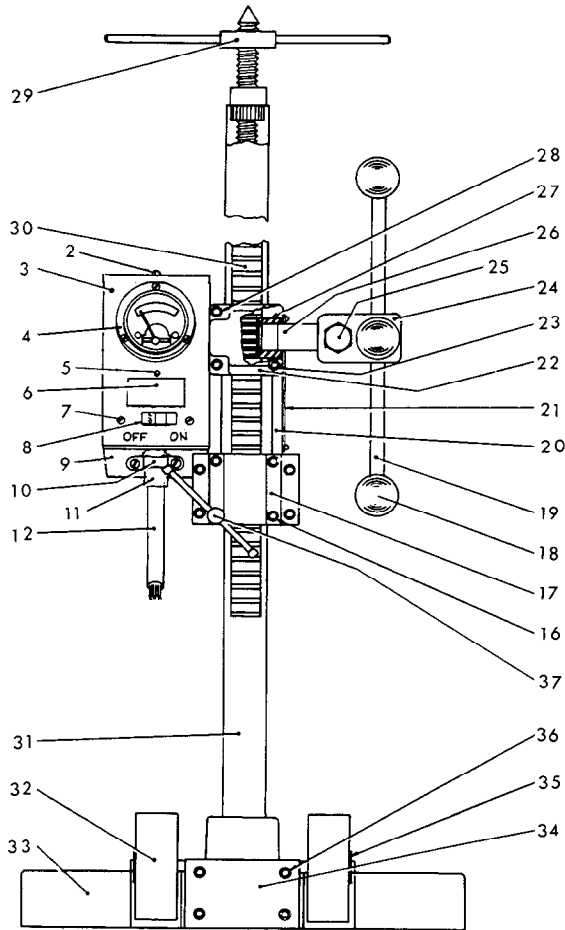


FIG.	PART NO.	DESCRIPTION OF PART	NO. REQ.
	16	06-75-3100 1/4-20x1 Skt. Hd. Cap Screw	(3)
	17	30-16-2001 Column Clamp Cap	(1)
	18	43-98-0050 Plastic Knob	(3)
	19	43-62-0050 Handle	(3)
	20	30-24-0402 Cradle	(1)
	21	12-17-2100 Name Plate	(1)
	22	30-16-6001 Pinion Cap	(1)
	23	06-75-3250 1/4-20x1 Skt. Hd. Cap Screw	(2)
	24	43-78-0050 Capstan Hub	(1)
	25	06-75-0875 1/2-13x1-3/4 Cap Screw	(1)
	26	36-66-0751 Pinion Shaft	(1)
	27	42-40-0060 Pinion Shaft Bushing	(1)
	28	06-75-3100 1/4-20x1 Skt. Hd. Cap Screw	(2)
	29	45-04-0060 Jack Screw Assembly	(1)
	30	44-80-0051 Gear Rack	(1)
	31	42-78-0060 Column	(1)
	32	45-94-0050 Wheel	(2)
	33	28-06-0401 Dymorig Base	(1)
	34	42-36-0061 Bracket Shaft Assembly	(1)
	35	34-60-1000 Retaining Ring	(4)
	36	06-81-4700 1/4-20x1/2 Rd. Hd. Screw	(4)
	37	45-04-0150 T-Screw Assembly	(1)

MISCELLANEOUS PARTS NOT SHOWN

06-55-2850	1/2-13 Hex Nut	(4)
06-65-0830	1/8x1/2 No. 5 Groove Pin	(1)
06-75-0950	1/2-13x2-1/2 Hex. Hd. Cap Screw	(2)
06-75-2400	10-32x1/2 Skt. Hd. Cap Screw	(2)
06-75-3100	1/4-20x1 Skt. Hd. Cap Screw (Drill Mounting)	(4)
06-75-3250	1/4-20x1-1/2 Skt. Hd. Cap Screw	(3)
06-81-6150	8-32x1/2 Fil. Hd. Sem (Key Retaining)	(1)
06-83-2840	5/16-18x5/8 Hdls. Set Screw	(2)
06-83-4950	1/2-13x3 Square Hd. Set Screw	(4)
06-85-0200	Nameplate Screw	(4)
06-97-3800	1/4" Lock Washer	(15)
06-97-4200	1/2" Split Ring Lock Washer	(2)
43-96-0060	Key	(1)
44-08-0060	Bubble Level Assembly	(1)
44-66-0330	Adjustment Plate	(1)
49-96-0070	5/32" Socket Wrench	(1)
49-96-0085	3/16" Socket Wrench	(1)
12-98-7082	Caution Plate	(1)

240V DYMORIG (4104-2)

SAME AS 4104 EXCEPT:

- FIG. NO. 1 14-06-0100 SWITCH BOX ASSY.
- FIG. NO. 4 22-04-0170 AMMETER
- FIG. NO. 12 22-64-4400 CORD SET
- 22-56-0138 RECEPICAL
- 12-17-2200 NAMEPLATE

FIG.	PART NO.	DESCRIPTION OF PART	NO. REQ.
1	14-06-0090	Switch Box Assembly (Includes Fig. Nos. 2 thru 15)	(1)
2	06-85-0200	6x1/4 Rd. Hd. Type Z Screw	(4)
3	22-68-0050	Switch Box Cover	(1)
4	22-04-0160	0-25 Amp Ammeter	(1)
5	06-81-0047	8-32x1/2 Pan Hd. Screw	(1)
	06-97-2000	Lock Washer	(2)
	06-55-0825	8-32 Hex. Nut	(2)
	45-88-7130	Flat Washer	(1)
6	12-17-2500	Instruction Plate	(1)
7	06-81-8650	6-32x1/4 Rd. Hd. Sem	(4)
8	23-66-0070	Switch	(1)
9	22-12-0015	Switch Box	(1)
10	22-56-0140	Cord Connector	(1)
11	44-76-0100	Cord Protector	(1)
12	22-64-0045	Cord Set	(1)
13	06-97-2600	Lockwasher (For Ammeter Posts) Not Shown	(2)
14	06-55-0600	6-32 Hex. Nut (For Recetacle Screws) Not Shown	(2)
15	22-56-0135	20 Amp-125V Twist Lock Receptacle (Not Shown)	(1)