



BOSCH

Table Saw

4100XC | 3 601 L13 014

Table of Content

Spare parts list.....	2
Illustration - Type.....	9

Spare parts list

Item	Part Number	Description	Illustration
70	2 610 355 325	Spring Washer	1
107	2 610 910 013	Washer	1
108	2 610 950 069	Screw	1
109	2 610 950 070	Bushing	1
110	2 610 950 071	Screw	1
112	2 610 996 921	Holding Bracket	1
113	2 610 996 913	Pin	1
114	2 610 996 917	Plate	1
116	2 610 997 275	Pin	1
117	2 610 997 274	Pin	1
118	2 610 996 918	Set screw	1
119	2 610 996 920	Connecting Nut	1
120	1 600 A01 PX8	Rod	1
121	2 610 994 262	Clamp	1
122	2 610 996 915	Clamping Piece	1
124	2 610 950 073	Clamping Lever	1
126	1 600 A01 PX7	Table top	1
127	1 600 A02 0M4	Sliding Rail	1
128	1 600 A02 0D9	Clamping Spring	1
129	2 610 950 075	Mounting Rail	1
131	2 610 951 945	Screw	1
132	2 610 950 077	Screw	1
133	2 610 950 078	Pointer	1
134	1 600 A01 PX9	Rail	1
135	2 610 018 276	End stop	1
138	2 610 018 277	Stamped Part	1
141	2 610 997 218	Cover	1
142	1 600 A01 PY0	Rail	1
143	2 610 997 216	Cover	1
144	1 600 A01 PY1	Sliding Table	1
145	2 610 950 086	mounting plate	1
146	2 610 950 087	Screw	1
147	2 610 304 772	Nut	1
149	1 600 A01 PY2	Tape Measure	1
150	2 610 950 089	Screw	1

Spare parts list

Item	Part Number	Description	Illustration
151	2 610 950 090	Profile Rail	1
152	2 610 950 091	Set screw	1
153	2 610 011 716	Holding Spring	1
158	1 600 A01 PY3	Spring Clamp	1
169	2 610 950 094	Handle Cover	1
170	2 610 950 095	Housing	1
171	2 610 950 096	Bolt	1
172	2 610 950 097	Bolt	1
173	2 610 996 890	Lever	1
174	2 610 996 889	Cam	1
175	2 610 997 289	Pin	1
176	2 610 950 098	Clamping Plate	1
177	2 610 997 291	Pin	1
178	2 610 950 099	Clamping Plate	1
179	2 610 997 249	Shoulder Screw	1
180	2 610 950 100	Pad	1
181	2 610 997 810	Warning Label	1
182	1 619 PB3 866	Pad	1
183	2 610 950 102	Bracket	1
184	2 610 950 103	Screw	1
185	1 600 A01 PZ6	Connecting Rod	1
186	2 610 950 105	Edge Guide	1
187	2 610 996 888	Spring	1
188	1 600 A01 PZ5	Parallel-Guide	1
189	2 610 358 802	Washer	1
190	2 610 950 107	Edge Guide	1
191	1 619 PB3 867	Pad	1
193	2 610 996 885	Clamping Plate	1
194	2 610 997 240	Clamping Piece	1
195	2 610 997 293	Screw	1
196	1 603 430 031	Adjusting Screw	1
200	2 610 950 108	Screw	1
202	2 610 997 817	Adhesive Label	1
206	2 610 950 111	Pusher	1
208	2 610 998 593	Spring	1

Table Saw | 4100XC | 3 601 L13 014

Spare parts list				
Item	Part Number	Description		Illustration
223	2 610 950 121	End stop		1
227	2 610 950 125	Profile Rail		1
228	2 610 950 126	Mounting Bracket		1
229	2 610 950 127	Mounting Bracket		1
237	2 610 950 133	Screw		1
238	2 610 950 134	Bolt		1
239	2 610 950 135	Washer		1
240	2 610 950 136	Mounting Bracket		1
241	1 619 PB2 556	Strap		1
243	2 610 950 139	Cam		1
247	2 610 950 143	Lens		1
250	2 610 950 146	Washer		1
251	2 610 950 147	Screw		1
258	1 600 A01 R17	Guide Fence		1
259	2 610 950 149	Mitre Fence		1
262	2 610 028 342	Cap Nut		1
263	1 600 A00 J57	Contact strap		1
273	1 600 A01 PZ7	Guide Angle		1
274	1 600 A01 PZ8	T-Head Bolt		1
275	1 600 A01 PZ9	Wing Nut		1
3	1 619 PA5 591	Armature		2
10	1 604 321 17Y	Carbon Brush		2
12	2 610 997 306	Speed governor	115-120V	2
13	2 610 004 595	Ball Bearing		2
14	2 610 911 927	Ball Bearing		2
16	1 600 A02 0M3	Brush Holder		2
22	2 610 996 865	Cover		2
23	2 610 018 983	Screw	NEU	2
24	1 600 A02 0M0	Brush-Cover		2
26	2 610 911 569	Insert		2
27	2 610 911 929	Screw		2
28	1 619 PA5 609	Rubber Ring		2
29	2 610 911 566	Bearing cover		2
30	2 610 950 427	Set screw		2
31	2 610 996 863	Gear Housing		2

Spare parts list

Item	Part Number	Description	Illustration
32	2 610 945 505	Screw	2
33	2 610 950 042	Spring Washer	2
34	2 610 996 949	Ball Bearing	2
35	2 610 997 282	Spring retaining ring	2
36	2 610 997 208	Toothed Gear	2
37	1 600 A01 D91	Cover	2
38	2 610 997 281	Spring retaining ring	2
39	2 610 997 210	Ball Bearing	2
40	2 610 950 043	Label	2
41	2 610 012 984	Woodruff Key	2
42	2 610 996 932	Bearing Sleeve	2
43	2 610 950 044	Screw	2
44	2 610 998 572	Screw	2
45	2 610 996 875	Torsion Spring	2
46	2 610 996 874	Locking Lever	2
47	1 600 A00 HS5	Shoulder Screw	2
48	2 610 950 045	Washer	2
49	2 610 950 046	Clamping Flange	2
50	2 610 950 047	Arbor	2
51	2 610 996 879	Wing Screw	2
52	2 610 950 048	Cover Plate	2
53	2 610 950 049	Screw	2
54	2 610 950 050	Cover Panel	2
55	2 610 950 051	Cover Plate	2
56	2 610 950 052	Guiding bolt	2
58	2 610 950 053	Threaded Rod	2
59	2 610 998 573	Spring retaining ring	2
60	2 610 997 221	Bushing	2
61	2 610 996 896	Toothed Gear	2
62	2 610 912 587	Plain Washer	2
63	1 600 A00 HS4	Shoulder Screw	2
64	2 610 358 149	Nut	2
65	2 610 950 054	Bolt	2
87	2 610 911 901	Self-locking nut	2
104	2 610 998 567	Cable Clip	2

Table Saw | 4100XC | 3 601 L13 014

Spare parts list			
Item	Part Number	Description	Illustration
111	2 610 998 587	Screw	2
154	1 600 A01 E9F	Protective Cover	2
157	2 610 950 093	Safety Device	2
199	2 610 998 580	Screw	2
201	2 610 992 380	Spring retaining ring	2
203	2 610 358 932	Connector	2
204	2 610 950 109	Washer	2
207	2 610 911 933	Connector	2
209	2 610 912 588	Plain Washer	2
222	2 610 950 120	Set screw	2
246	1 600 A01 R19	Riving Knife	2
257	2 610 911 896	Nut	2
276	1 600 A01 VV7	Conical Spring Washer	2
801	1 607 000 E04	Motor	2
4	1 607 200 36J	Switch	3
5	2 610 996 945	Power supply cord	3
6	2 610 950 038	grommet	3
7	2 610 358 842	Clamp	3
9	1 601 11C 3EX	Sticker	3
19	2 610 358 841	Attachment Screw	3
20	1 600 A02 0LZ	Warning Label	3
57	2 610 997 276	Spring retaining ring	3
66	2 610 997 277	Spring retaining ring	3
67	2 610 997 212	Mounting Bracket	3
68	1 619 PA5 649	Bushing	3
72	2 610 996 933	Threaded Bushing	3
73	2 610 996 938	Bushing	3
74	2 610 950 055	Screw	3
75	2 610 997 271	Spring	3
76	2 610 998 550	Plain Washer	3
77	2 610 997 299	Plain Washer	3
78	2 610 997 298	Nut	3
82	2 610 950 059	Handle	3
83	2 610 950 060	Screw	3
84	2 610 950 061	Pin	3

Spare parts list

Item	Part Number	Description	Illustration
85	2 610 950 062	Pointer	3
86	2 610 347 092	Plain Washer	3
89	2 610 996 929	End stop	3
90	1 600 A01 PY5	Base Body	3
91	2 610 997 294	Screw	3
92	1 600 A01 PZ4	Switch Box	3
93	2 610 358 846	Rubber Bushing	3
94	2 610 996 930	Pickup Clip	3
95	2 610 950 065	Housing	3
96	2 610 950 117	Screw	3
97	1 619 PA5 676	Cable Clip	3
98	2 610 950 067	Holding Spring	3
99	2 610 997 246	Nut	3
100	2 610 996 880	Box Wrench	3
101	2 610 997 247	Wing Nut	3
102	1 600 A01 PY8	Cable Cleat	3
103	2 610 998 574	Screw	3
105	2 610 998 568	Connecting Cable	3
106	2 610 997 297	Screw	3
197	2 610 911 920	Rubber Bushing	3
198	2 610 998 551	Hexagon Socket Screw Key	3
205	2 610 950 110	Profile Rail	3
210	1 600 A01 R5R	Pusher	3
212	2 610 950 114	Linkage	3
213	2 610 950 115	Spring	3
219	2 610 950 389	Washer	3
220	2 610 950 118	Screw	3
230	1 600 A01 PX6	Front Plate	3
231	2 610 945 488	Screw	3
232	2 610 950 129	Plain Washer	3
233	1 600 A01 PZ0	Housing Base	3
234	2 610 950 131	Screw	3
236	2 610 950 132	Screw	3
245	1 600 A01 PY9	Cable Cleat	3
264	1 600 A01 PZ1	Safety Guard	3

Spare parts list

Item	Part Number	Description	Illustration
265	1 603 430 081	Screw	3
266	1 600 150 03C	Spring retaining ring	3
267	1 600 A02 0LW	Plain Washer	3
268	1 600 A02 0LX	Hex Nut	3
269	1 600 A01 PZ2	Clamp	3
270	1 600 A01 PZ3	Extension Spring	3
271	1 603 430 082	Screw	3
272	1 600 A01 W1Y	Plain Washer	3
277	1 609 203 L09	Guard Plate	3
278	2 610 018 265	Screw	3
279	1 609 902 052	Spring Washer	3
280	1 609 902 053	Plain Washer	3
281	2 610 018 266	Sleeve	3
283	1 609 203 L11	Nut	3
303	1 619 PA8 451	Washer	3
808	1 601 11A 7ED	Nameplate	3
814	1 609 B06 826	Clamping Lever	3
880	1 619 PB2 533	Handwheel	3

Illustration - Type - E

3 601 L13 014

Stand Issue } 20-03-10

Fig./Abb. 1

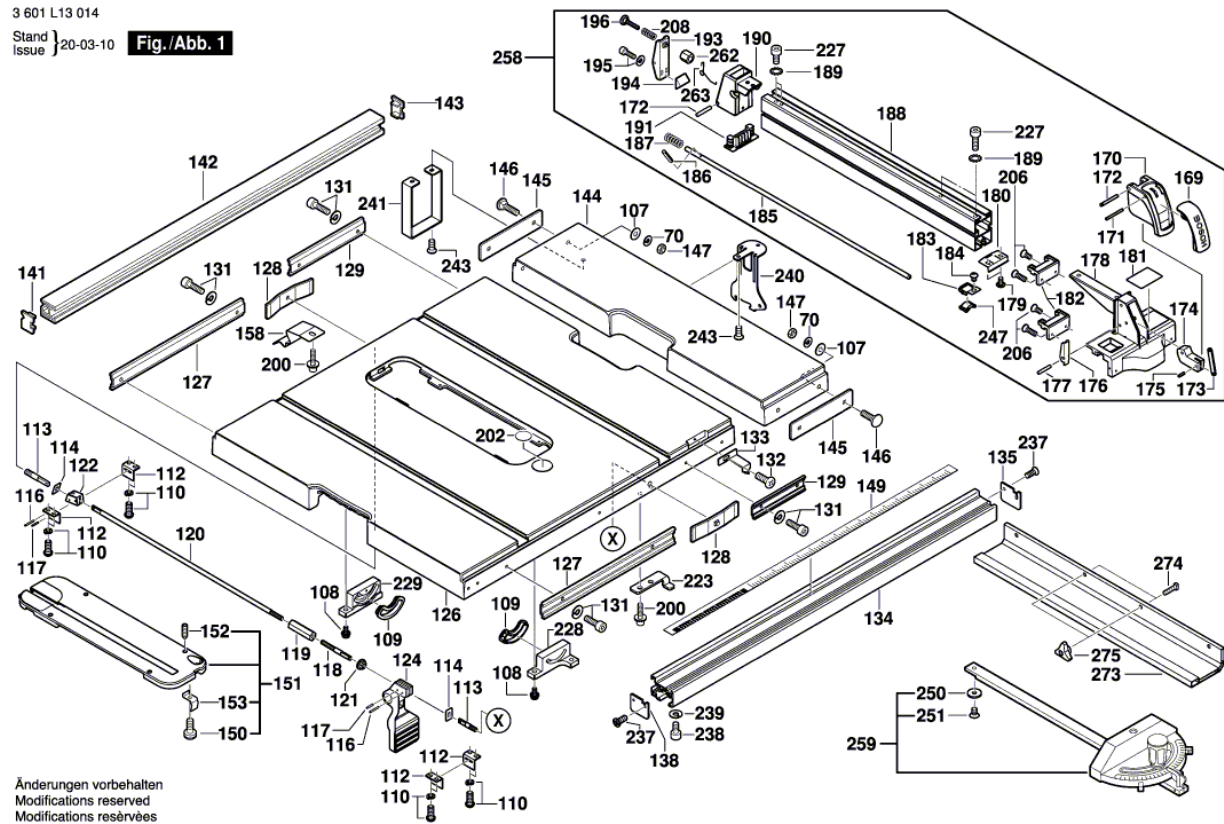
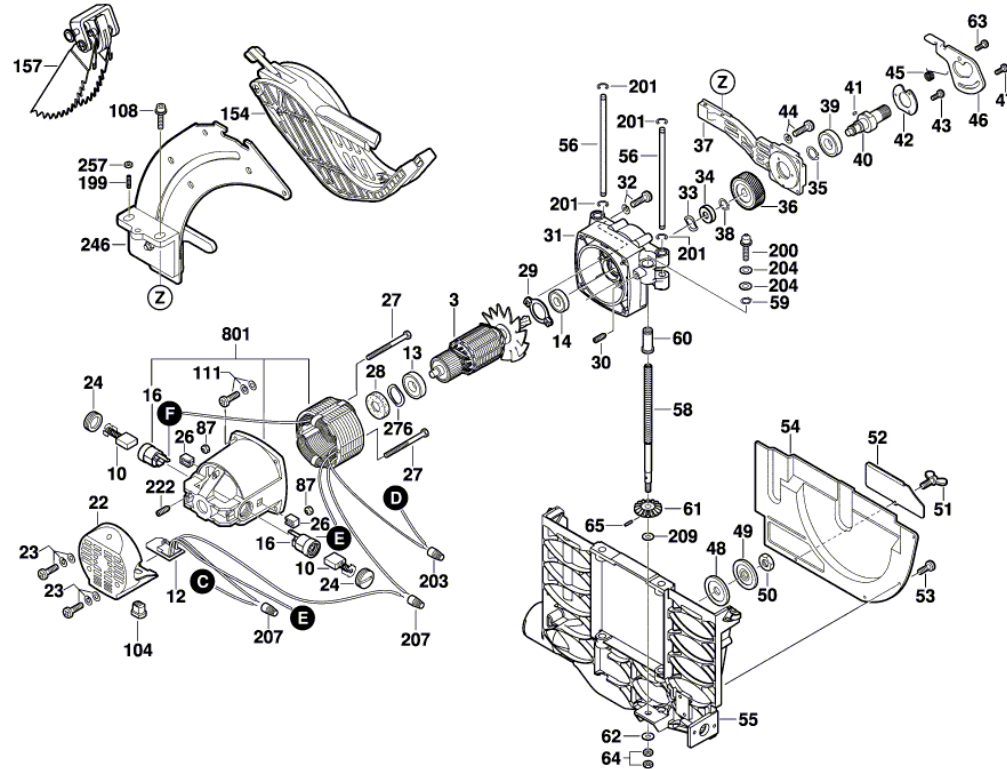


Illustration - Type - E

3 601 L13 014
Stand
issue } 20-03-10 **Fig./Abb. 2**



Änderungen vorbehalten
Modifications reserved
Modifications réservées
Salvo modificaciones

Illustration - Type - E

