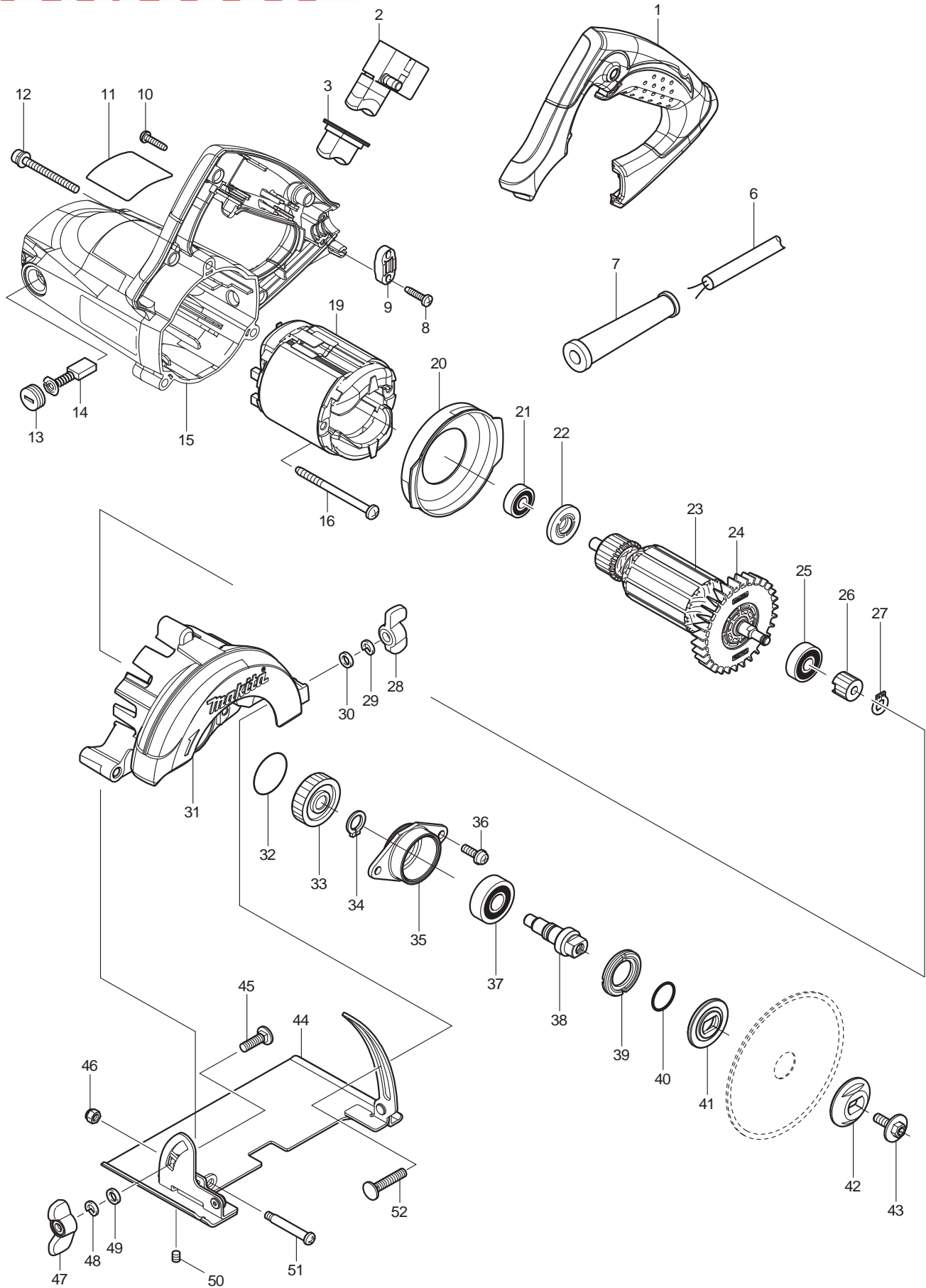




11 - 2010

4100NSZX

4" MASONRY SAW(MAX.4-3/8")



| Item No | Type | Ref  | R Part No | Description                            | Qty | Unit |
|---------|------|------|-----------|--|-----|------|
| 1       |      |      | 450838-7  | HANDLE COVER                           | 1   | PC.  |
| 2       | 2    |      | 650248-0  | SWITCH SGES115C-3                      | 1   | PC.  |
| 3       |      |      | 424585-6  | DUST COVER                             | 1   | PC.  |
| 6       |      |      | 664265-4  | CORD WITH PLUG 2P-16-2.5M SJ           | 1   | PC.  |
| 7       |      |      | 682505-8  | CORD GUARD 10-90                       | 1   | PC.  |
| 8       |      |      | 265995-6  | TAPPING SCREW 4X18                     | 2   | PC.  |
| 9       |      |      | 687063-9  | CORD CLAMP                             | 1   | PC.  |
| 10      |      |      | 265995-6  | TAPPING SCREW 4X18                     | 4   | PC.  |
| 11      |      |      | 866183-4  | 4100NS NAME PLATE                      | 1   | PC.  |
| 12      |      |      | 911263-2  | PAN HEAD SCREW M5X40                   | 3   | PC.  |
| 13      |      |      | 643750-0  | BRUSH HOLDER CAP                       | 2   | PC.  |
| 14      |      |      | 194996-6  | CARBON BRUSH CB-303 2PC/SET (W/ORIGIN) | 1   | SET  |
| 15      | 2    |      | 141728-2  | * MOTOR HOUSING COMPLETE               | 1   | PC.  |
|         |      | INC. | 643708-9  | BRUSH HOLDER 5-11                      | 2   | PC.  |
|         |      | INC. | 892784-2  | CAUTION LABEL                          | 1   | PC.  |
| 16      |      |      | 266038-7  | TAPPING SCREW 5X70                     | 2   | PC.  |
|         |      | INC. | 654020-2  | RING TERMINAL                          | 2   | PC.  |
|         |      | INC. | 654501-6  | CONNECTOR P-1.25                       | 2   | PC.  |
| 19      |      |      | 594581-9  | FIELD ASSY 115V                        | 1   | PC.  |
| 20      |      |      | 450839-5  | BUFFLE PLATE                           | 1   | PC.  |
| 21      | 1    |      | 211395-8  | * BALL BEARING 608LLU                  | 1   | PC.  |
|         | 2    |      | 210005-4  | * BALL BEARING 608DDW                  | 1   | PC.  |
| 22      |      |      | 681644-1  | INSULATION WASHER                      | 1   | PC.  |
| 23      | 1    |      | 513766-8  | * ARMATURE ASSY 115V                   | 1   | PC.  |
|         |      | INC. |           | Item No. 21,22,24,25                   |     |      |
|         | 2    |      | 510220-3  | * ARMATURE ASSY 115V                   | 1   | PC.  |
|         |      | INC. |           | Item No. 21,22,24,25                   |     |      |
| 24      |      |      | 240109-8  | FAN 70                                 | 1   | PC.  |
| 25      |      |      | 211092-6  | BALL BEARING 629DDW                    | 1   | PC.  |
| 26      |      |      | 226695-3  | HELICAL GEAR 17                        | 1   | PC.  |
| 27      |      |      | 961002-0  | RETAINING RING S-6                     | 1   | PC.  |
| 28      |      |      | 252649-4  | THUMB NUT M6                           | 1   | PC.  |
| 29      |      |      | 942151-2  | SPRING WASHER 6                        | 1   | PC.  |
| 30      |      |      | 941151-9  | FLAT WASHER 6                          | 1   | PC.  |
|         |      | INC. | 212004-2  | * NEEDLE BEARING 810 (TYPE1)           | 1   | PC.  |
|         |      | INC. | 212046-6  | * NEEDLE BEARING 810 (TYPE2)           | 1   | PC.  |
| 31      | 1    |      | 158836-2  | * BLADE CASE COMPLETE                  | 1   | PC.  |
|         |      | INC. | 213407-3  | * O RING 26 (TYPE1)                    | 1   | PC.  |
|         |      | INC. | 213445-5  | * O RING 26 (TYPE2)                    | 1   | PC.  |
|         | 2    |      | 142541-1  | * BLADE CASE COMPLETE                  | 1   | PC.  |
|         |      | INC. | 212046-6  | * NEEDLE BEARING 810                   | 1   | PC.  |
|         |      | INC. | 213445-5  | * O-RING 26                            | 1   | PC.  |
| 32      |      |      | 213444-7  | O RING 30                              | 1   | PC.  |
| 33      |      |      | 226696-1  | HELICAL GEAR 44                        | 1   | PC.  |
| 34      |      |      | 961052-5  | RETAINING RING S-12                    | 1   | PC.  |
| 35      | 1    |      | 318346-3  | * BEARING BOX                          | 1   | PC.  |
|         | 2    |      | 319044-2  | * BEARING BOX                          | 1   | PC.  |
| 36      |      |      | 911223-4  | PAN HEAD SCREW M5X16                   | 2   | PC.  |
| 37      |      |      | 211129-9  | BALL BEARING 6201DDW                   | 1   | PC.  |
| 38      |      |      | 325603-2  | SPINDLE                                | 1   | PC.  |
| 39      | 1    |      | 285815-8  | * BEARING RETAINER 19-33               | 1   | PC.  |
|         | 2    |      | 285834-4  | * BEARING RETAINER 19-33               | 1   | PC.  |
|         | 3    |      | 285858-0  | * BEARING RETAINER 19-33               | 1   | PC.  |
| 40      | 1    |      | 213255-0  | O RING 18                              | 1   | PC.  |
|         | 2    |      | 213279-6  | O RING 18                              | 1   | PC.  |
| 41      |      |      | 224423-0  | INNER FLANGE 36                        | 1   | PC.  |
| 42      |      |      | 224424-8  | OUTER FLANGE 36                        | 1   | PC.  |
| 43      |      |      | 266510-9  | HEX. SOCKET HEX. BOLT M6X18            | 1   | PC.  |
| 44      |      |      | 165548-0  | BASE                                   | 1   | PC.  |
| 45      |      |      | 251919-8  | CAP SQUARE NECK BOLT M6X20             | 1   | PC.  |
| 46      |      |      | 252103-8  | HEX. LOCK NUT M5-8                     | 1   | PC.  |

| Item No | Type | Ref | R Part No | Description                   | Qty | Unit |
|---------|------|-----|-----------|-------------------------------|-----|------|
| 47      |      |     | 252649-4  | THUMB NUT M6                  | 1   | PC.  |
| 48      |      |     | 942151-2  | SPRING WASHER 6               | 1   | PC.  |
| 49      |      |     | 941151-9  | FLAT WASHER 6                 | 1   | PC.  |
| 50      |      |     | 266264-8  | H.S.SET SCREW(FLAT POINT)M5X6 | 1   | PC.  |
| 51      |      |     | 266515-9  | + PAN HEAD SCREW M5           | 1   | PC.  |
| 52      |      |     | 251920-3  | CAP SQUARE NECK BOLT M6X30    | 1   | PC.  |
| 53      |      |     | 253192-6  | * FLAT WASHER 14 (Added)      | 1   | PC.  |
| 54      |      |     | 213262-3  | * O RING 18 (Added)           | 1   | PC.  |
| 100     |      |     | 455133-0  | * SPONGE (Added)              | 1   | PC.  |
| C01     |      |     | 872086-2  | CARTON                        | 1   | PC.  |
| D01     |      |     | 654037-5  | INSULATED TERM. FK1.25-M3     | 2   | PC.  |
| D02     |      |     | 654509-0  | CONNECTOR 2-SD                | 1   | PC.  |
| D03     |      |     | 652008-6  | PAN HEAD SCREW M3.5X7         | 2   | PC.  |

### **ACCESSORIES**

- See catalogue or visit [www.makita.ca](http://www.makita.ca) for more optional accessories -

|     |   |  |          |                                     |   |     |
|-----|---|--|----------|-------------------------------------|---|-----|
| A01 |   |  | 781011-1 | WRENCH 22                           | 1 | PC. |
| A02 | 1 |  | 783203-8 | HEX. WRENCH 5                       | 1 | PC. |
|     | 2 |  | 783217-7 | HEX. WRENCH 5                       | 1 | PC. |
| A03 |   |  | A-94546  | 4" TURBO RIM DIAMOND WHEEL, WET/DRY | 1 | PC. |
| A04 |   |  | D-36968  | 4-3/8" CURVED DIAMOND WHEEL 20MM    | 1 | PC. |

**SERVICE CHANGES**

**1. Changes on Armature**

(T/I#117292, 93576)

| Item No. | Description        | Type 1   | Type 2   |
|----------|--------------------|----------|----------|
| 23       | Armature Assy 115V | 513766-8 | 510220-3 |
| 21       | Ball Bearing       | 210005-4 | 211395-8 |

Above parts are completely interchangeable as a set.

**NOTE:**

\*Type1 Armature #513766-8 can be used for the tools to be repaired that has no damage on the Ball Bearing in commutator side.

**2. Changes on Motor Housing**

(T/I# 94589)

| Item No. | Description        | Type 1   | Type 2   |
|----------|--------------------|----------|----------|
| 15       | Motor Housing Com. | 141002-2 | 141728-2 |
| 53       | Flat Washer        | -        | 253192-6 |
| 54       | O Ring             | -        | 213262-3 |

Above parts are completely interchangeable as a set.

**3. Changes on Bearing box and Bearing retainer**

(TI#A1058)

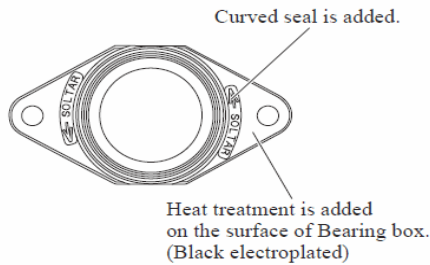
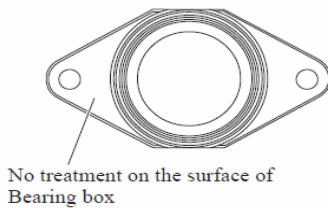
| Item No. | Description            | Type 1   | Type 2   |
|----------|------------------------|----------|----------|
| 35       | Bearing box            | 318346-3 | 319044-2 |
| 39       | Bearing retainer 19-33 | 285834-4 | 285858-0 |

Above parts are completely interchangeable as a set.

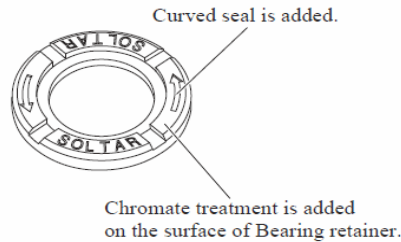
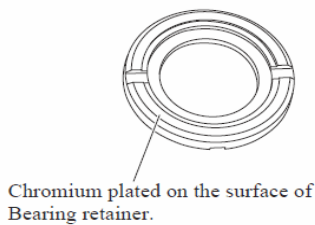
Type 1

Type 2

① Bearing box



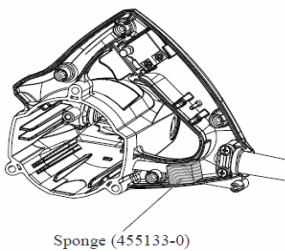
② ③ Bearing retainer 19-33



**4. Addition of Sponge**

(TI#A2622)

| Item No. | Description | Type 1   |
|----------|-------------|----------|
| 100      | Sponge      | 455133-0 |



5. Changes on Blade case complete

(TI#A2368)

| Item No. | Description         | Type 1   | Type 2   |
|----------|---------------------|----------|----------|
| 31       | Blade case complete | 158836-2 | 142541-1 |

Type 1

Type 2

