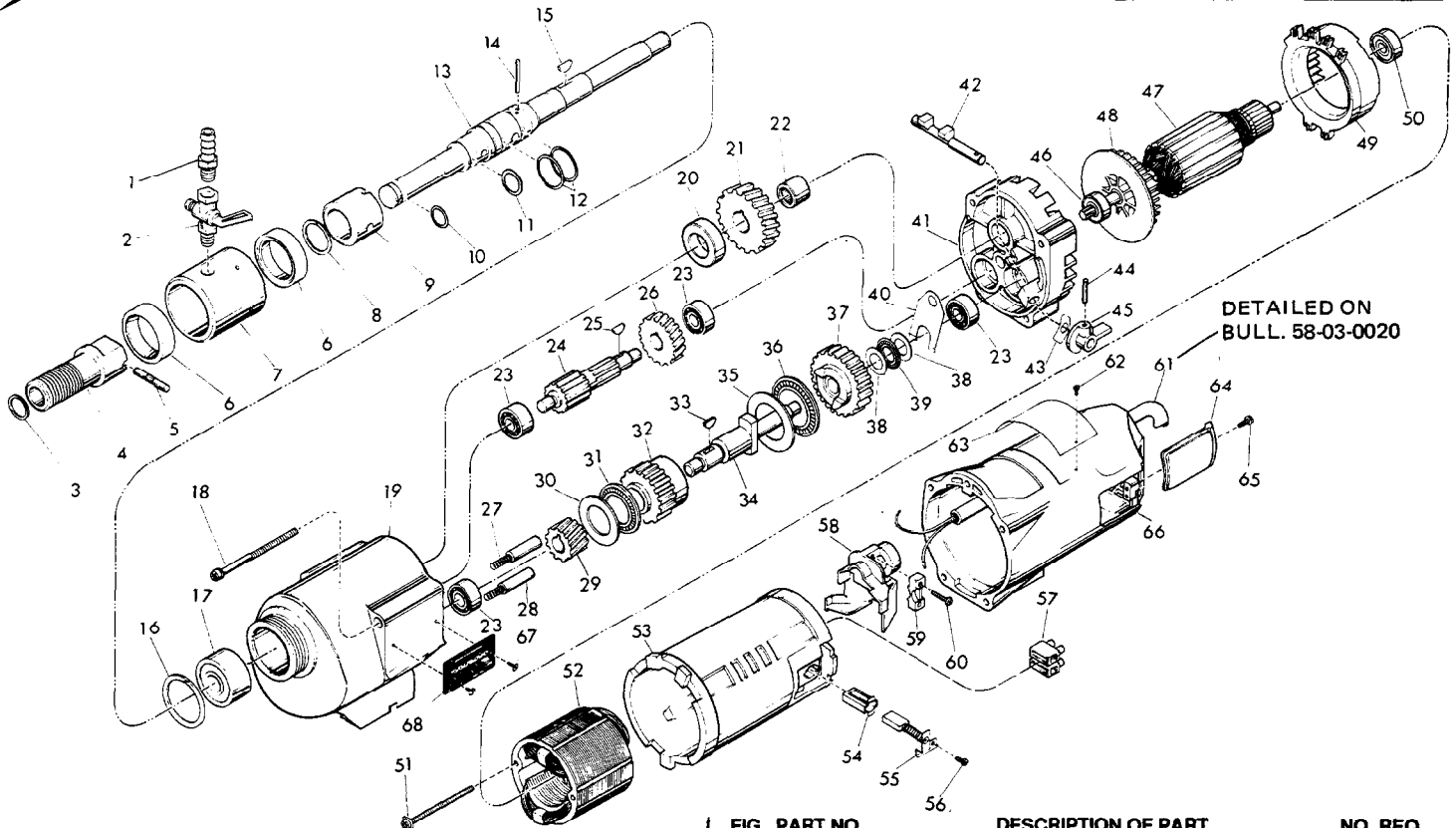




SERVICE PARTS LIST

BULLETIN NO.
55-16-0200

SPECIFY CATALOG NO. AND SERIAL NO. WHEN ORDERING PARTS		REVISED BULLETIN	DATE
TWO SPEED DYMODRILL			March'88
CATALOG NO. 4094-5	STARTING SERIAL NO. 744-1001	WIRING INSTRUCTION 58-03-0020	



DETAILED ON
BULL. 58-03-0020

FIG. PART NO.	DESCRIPTION OF PART	NO. REQ.
1	42-90-0200 Water Hose Fitting	(1)
2	45-80-0060 Shut Off Valve	(1)
3	34-60-1800 Retaining Ring	(1)
4	45-22-0050 Spindle Sleeve	(1)
5	44-60-0030 Shear Pin	(1)
6	45-06-0050 Trostel Seal	(2)
7	43-76-0051 Water Swivel Housing	(1)
8	34-60-2115 Retaining Ring	(1)
9	42-40-0830 Spindle Bushing	(1)
10	34-40-1100 O-Ring	(1)
11	34-40-1200 O-Ring	(1)
12	34-40-1350 O-Ring	(2)
13	38-50-4555 Spindle	(1)
14	06-65-1530 1/8 x 1/2" Roll Pin	(1)
15	06-42-2400 Woodruff Key	(1)
16	34-80-3800 Retaining Ring	(1)
17	02-20-2515 Ball Bearing	(1)
18	06-82-9202 1/4 - 20 x 4-1/4" Taptite Torx Screw	(4)
19	28-14-1870 Gear Case Assembly (Incl. 06-65-1535 Pin)	(1)
20	45-36-1245 Spindle Spacer	(1)
21	32-75-2521 Spindle Gear	(1)
22	02-50-4830 Needle Bearing	(1)
23	02-04-1205 Ball Bearing	(4)
24	36-66-3751 Pinion Shaft Assy.	(1)
25	06-42-1600 Woodruff Key	(1)
26	32-40-1581 Intermediate Gear	(1)
27	40-50-6300 Shifting Spring	(2)
28	44-70-0100 Shifting Plunger	(2)
29	32-60-1041 Pinion Gear	(1)
30	45-88-0520 Thrust Bearing Washer	(1)
31	02-80-1800 Thrust Bearing	(1)
32	32-10-0061 Clutch Gear Assembly	(1)
33	06-42-2000 Woodruff Key	(1)
34	36-14-0061 Clutch Shaft	(1)
35	45-88-0530 Thrust Bearing Washer	(1)
36	02-80-5000 Thrust Bearing	(1)
37	32-10-0051 Clutch Gear Assembly	(1)
38	45-88-0510 Thrust Bearing Washer	(2)
39	02-80-1200 Thrust Bearing	(1)
40	45-98-0090 Shifting Yoke	(1)
41	14-13-0220 Diaphragm Assy. (Incl. 06-65-1155 Pin)	(1)

FIG. PART NO.	DESCRIPTION OF PART	NO. REQ.
42	30-15-0272 Shift. Cam	(1)
43	45-06-0350 Gear Case Seal	(1)
44	06-65-0840 1/8 x 3/4" Groove Pin	(1)
45	28-60-0056 Shifting Knob	(1)
46	02-04-1230 Ball Bearing	(1)
47	16-76-0320 220V Armature (Incl. Fig. No. 48)	(1)
48	22-84-0790 Fan	(1)
49	42-14-0291 Baffle	(1)
50	02-04-1041 Ball Bearing	(1)
51	06-82-9152 10-24 x 2-3/4" Torx Sem. Screw (See Note)	(2)
52	18-74-0120 220V Field	(1)
53	23-16-1410 Motor Insulator	(1)
54	22-20-0680 Brush Tube	(2)
55	22-18-0705 Carbon Brush Assembly	(2)
56	06-82-8835 8-32 x 5/16" Pan Torx Sem Screw	(2)
57	22-56-0470 Terminal Block	(1)
58	22-38-0140 Wire Trap	(1)
59	31-17-0200 Cord Clamp	(1)
60	06-82-7326 8-16 x 1" Pan Hd. Plastite Torx Screw	(2)
61	23-37-0100 Control Assy. - Refer To Bull. 58-03-0020	
62	06-95-2100 Nameplate - Screw	(2)
63	12-15-4160 Nameplate - Service	(1)
64	22-32-0350 Brush Cover	(2)
65	06-82-7252 8-32 x 3/8" Pan Slot Taptite Screw	(2)
66	28-50-6360 Motor Housing	(1)
67	06-82-5266 4-40 x 1/4" Pan Hd. Taptite Screw	(2)
68	12-98-3060 Instruction Plate	(1)

NOTE: Fig. 51 Apply Type 242 Blue Loctite and Torque To 125 - 150 Lb. In.

06-83-2430	10-32 x 1/4" Set Screw (Not Shown) For Fig. No. 7	(1)
49-96-4700	1-3/8" Open End Wrench (Not Shown)	(1)
49-96-0085	3/16" Hex Wrench (Not Shown)	(1)
49-96-0050	3/32" Hex Wrench (Not Shown)	(1)
45-56-0210	26" Strap & Buckle (Not Shown)	(1)

FOR MOUNTING DRILL MOTOR		
06-75-3090	1/4-20 x 7/8" Socket Hd.Screw	(4)
06-97-4050	1/4" Split Ring Lock Washer	(4)