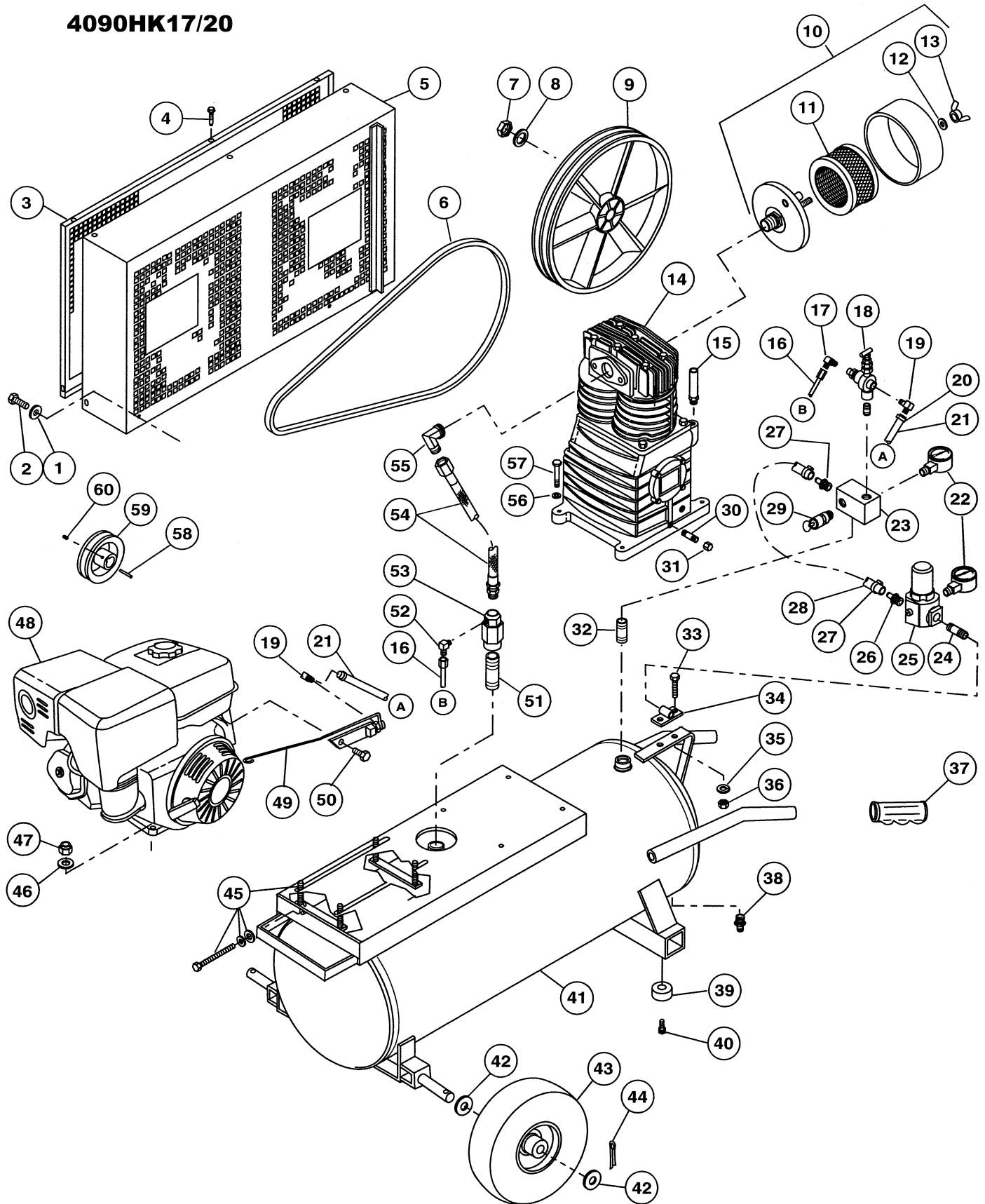


# ROLAIR

**SCHEMATIC FOR MODEL  
4090HK17/20**





**ROLAIR SYSTEMS**  
 606 S. Lake Street, P.O. Box 346  
 Hustisford Wisconsin 53034-0346  
 Phone: 920-349-3281  
 Sales Fax: 920.349.3691  
 Service Fax: 920.349.8861  
[www.rolair.com](http://www.rolair.com)

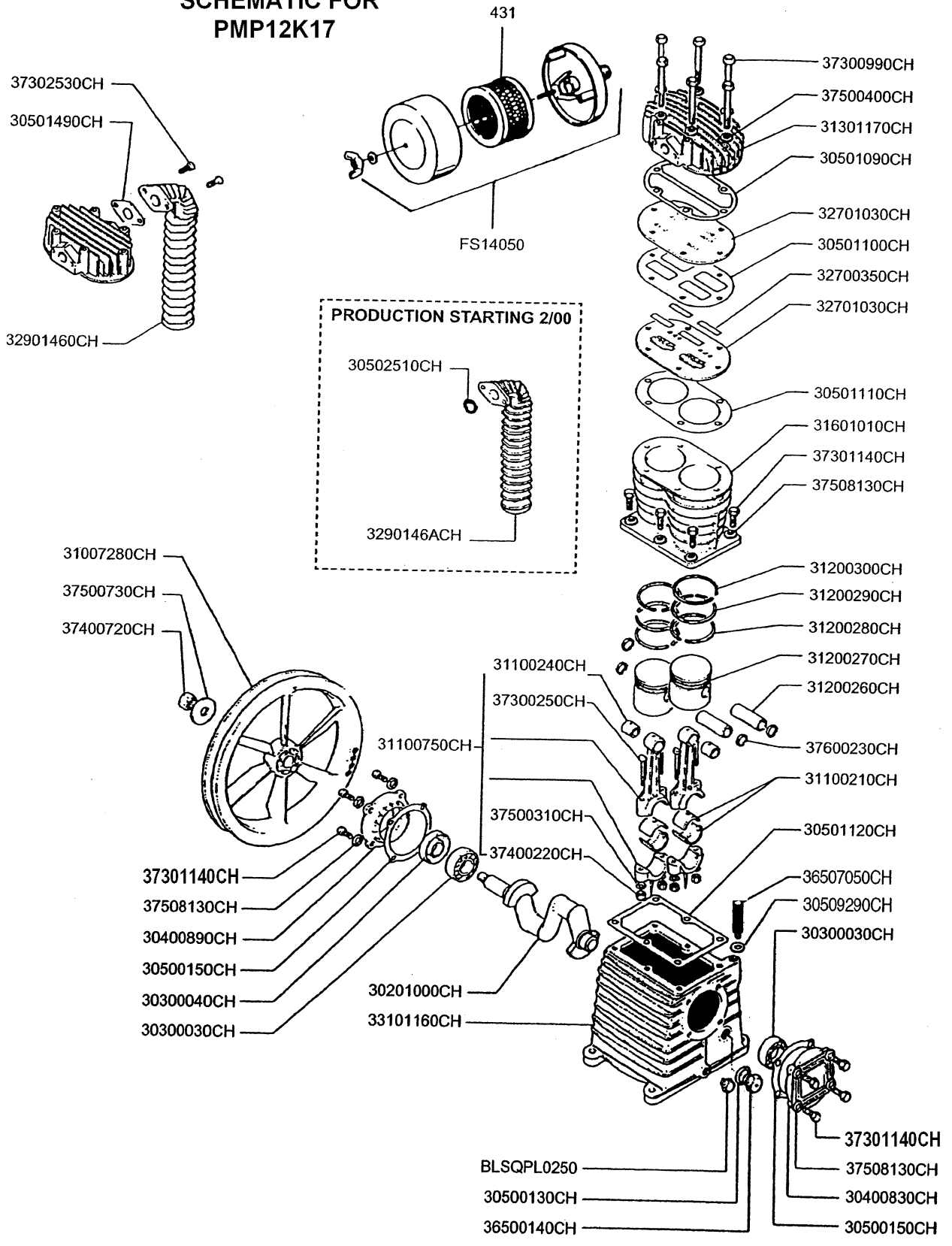
## PARTS LIST FOR MODEL 4090HK17/20

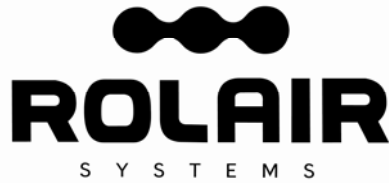
Schematic #	Description	Part #	Qty.
1	Washer	MIS10108	2
2	Bolt	MIS10023	2
3	Belt Guard Cover	BG8145	1
4	Bolt	MIS10094	5
5	Belt Guard Base	BG8140B	1
6	Belt	BT4L510	1
7	Nut	37400720CH	1
8	Washer	37500730CH	1
9	Flywheel	31007280CH	1
10	Silencer/Filter Assembly	FS14050	1
11	Filter Element - Replacement for Above	431	1
12	Washer	FSWASHER	1
13	Wing Nut	FSNUT	1
14	Twin Cylinder Pump w/Flywheel	PMP12K17CH	1
	Twin Cylinder Pump less Flywheel	PMP12K17CHLF	1
15	3/8" Breathe/Oil Fill Plug	36507050CH	1
16	1/4" Copper Tubing - 24"	MIS11100	2'
	Brass Nut	BRNT0250	2
	Brass Ring	BRRG0250	2
17	Brass Elbow	BRELO250X025039	1
18	Pilot Unloader Valve	131BIG	1
19	Brass Elbow	BRELO250X0125H16	2
20	Hose Clamp	177	2
21	1/4" Rubber Hose - 24"	178	2'
22	Gauge	GA2050200GC	2
23	Aluminum Block Manifold	154	1
24	Nipple	BLNP0375X1500	1
25	Regulator	REG0375	1
26	Brass Coupler	BRCP0375X0375H12	2
27	Hose Clamp	177A	2
28	3/8" Rubber Hose - 16"	178A	1.25'
29	Safety Relief Valve	SRV0250N165	1
30	Nipple	BLNP0250X1500	1
31	Cap	BLCA0250	1
32	Nipple	BLNP0500X1500	1
33	Bolt	MIS10022	2
34	Accessory Bracket	210	1
35	Lock Washer	MIS10099	2
36	Nut	MIS10020	2
37	Handle Grip	328	2
38	Drain Valve	132BV	1
39	Rubber Foot	219	4
40	Screw	MIS10008	4
41	20 Gallon Tank Assembly	TNKASY4090K17/20	1
42	Washer	MIS10104	4
43	Fully-Pneumatic Tire w/Sealant	WLS30SEAL	2
44	Cotter Pin	181B	2
45	Belt Tightener/Mounting Kit	SBT5HP-ANGLE*	1
46	Washer	MIS10102	4
47	Lock Nut	MIS10020B	4
48	Honda Engine	ENG05H01	1
	Optional Engine Drain Extension for Above	HDE5	1
49	Throttle Control Kit	192EGX160K1QX	1
50	Flange Bolt	HON90013-883-000	1
51	Nipple	BLNP0500X1500	1
52	Brass Elbow	BRELO250X0125H16	1
53	Check Valve	CV4X4L1	1
54	Braided Discharge Tube	145A	1
55	Brass Elbow	145D	1
56	Lock Washer	MIS10099	4
57	Bolt	MIS10023	4
58	Keystock	MIS10095C	1
59	Pulley	PUAK44X0750	1
60	Setscrew	MIS10020C	1

\*For units built prior to February 2005, order SBT5HP-SQUARE.

# ROLAIR

SCHMATIC FOR  
PMP12K17





**ROLAIR SYSTEMS**  
606 S. Lake Street, P.O. Box 346  
Hustisford Wisconsin 53034-0346  
Phone: 920-349-3281  
Sales Fax: 920.349.3691  
Service Fax: 920.349.8861  
[www.rolair.com](http://www.rolair.com)

### PARTS LIST FOR PMP12K17

Description	Part #	Qty.
Crankshaft	30201000CH	1
Bearing	30300030CH	2
Oil Seal	30300040CH	1
Bearing Carrier	30400830CH	1
Bearing Carrier	30400890CH	1
Gasket	30500130CH	1
Gasket	30500150CH	2
Gasket	30501090CH	1
Gasket	30501100CH	1
Gasket	30501110CH	1
Gasket	30501120CH	1
Gasket	30501490CH	1
O-Ring	30509290CH	1
Flywheel	31007280CH	1
Bearing Shell	31100210CH	2
Bushing*	31100240CH	2
Connecting Rod w/Upper Bushing	31100750CH	2
Connecting Rod Assembly	31100750CH1	2
Piston Pin	31200260CH	2
Piston	31200270CH	2
Ring	31200280CH	2
Ring	31200290CH	2
Ring	31200300CH	2
Head	31301170CH	1
Cylinder	31601010CH	1
Valve	32700350CH	4
Valve Plate	32701030CH	2
Aftercooler	32901460CH	1
Crankcase	33101160CH	1
Sight Gauge	36500140CH	1
3/8" Breathe/Oil Fill Plug	36507050CH	1
Bolt	37300250CH	4
Bolt	37300990CH	6
Bolt	37301140CH	14
Bolt	37302530CH	2
Nut	37400220CH	4
Nut	37400720CH	1
Washer	37500310CH	4
Washer	37500400CH	6
Washer	37500730CH	1
Washer	37508130CH	14
Snap Ring	37600230CH	4
Filter Element	431	1
Plug	BLSQPL0250	1
Silencer/Filter Assembly	FS14050	1
Ring Set	K17RINGS	1
Gasket Set	K17GASKETS	1
Valve Plate Assembly (Valve plates, reeds & upper three gaskets)	1700VK17	1
Piston Assembly (Piston, rings, piston pin & snap rings)	1700PK17	2
<b>AFTERCOOLER PARTS STARTING 2/00</b>		
O-Ring – Aftercooler	30502510CH	1
Aftercooler	3290146ACH	1

\*BUSHING IS NOT MACHINED TO FIT PISTON PIN IF ORDERED SEPARATE FROM CONNECTING ROD.