



# SERVICE PARTS LIST

BULLETIN NO.  
55-16-0302

SPECIFY CATALOG NO. AND SERIAL NO. WHEN ORDERING PARTS		REVISED BULLETIN 55-16-0301	DATE Mar.'94
<b>TWO SPEED DYMODRILL</b>			
CATALOG NO. 4079-5	STARTING SERIAL NO. 745A	WIRING INSTRUCTION 58-03-0020	

**EXAMPLE:**  
Component Parts (Small #)  
Are Included When Ordering  
The Assembly (Large #).

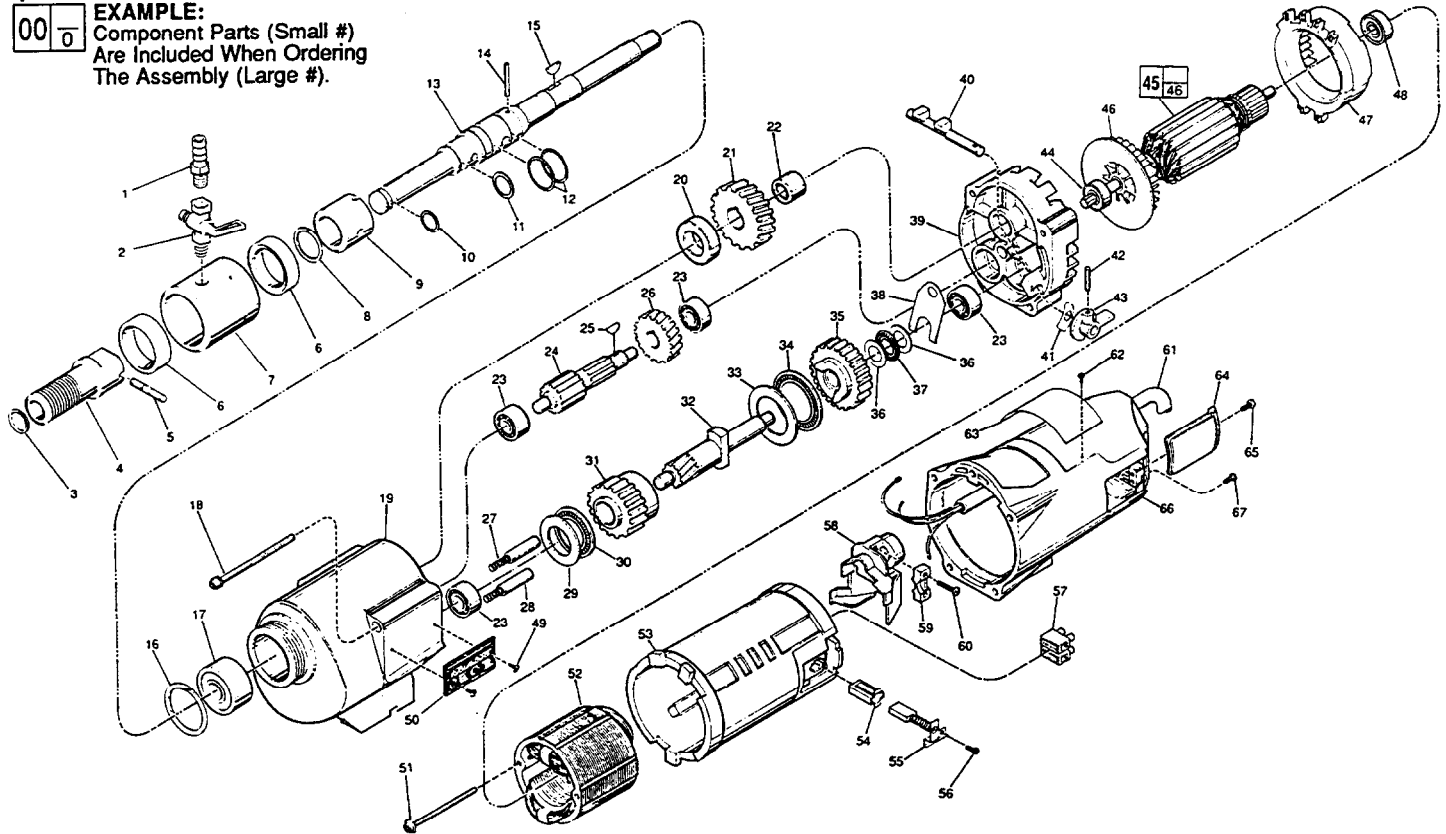


FIG.	PART NO.	DESCRIPTION OF PART	NO. REQ.	FIG.	PART NO.	DESCRIPTION OF PART	NO. REQ.
				40	30-15-0272	Shift Cam	(1)
				41	45-06-0350	Gear Case Seal	(1)
				42	06-65-0840	1/8 x 3/4" Groove Pin	(1)
				★ 43	25-60-0056	Shifting Knob	(1)
				44	02-04-1229	Ball Bearing	(1)
				★ 45	16-76-0325	220 V Armature	(1)
				46	22-84-0790	Fan	(1)
				47	42-14-0291	Baffle	(1)
				48	02-04-1041	Ball Bearing	(1)
				49	06-82-5266	4-40 x 1/4" Pan Hd. Taptite T-10	(2)
				50	12-98-3060	Instruction Plate	(1)
				51	06-82-9152	10-24 x 2-3/4" Pan Hd. Sem T-25	(2)
				52	18-74-0120	220 V Field	(1)
				53	23-16-1410	Motor Insulator	(1)
				54	22-20-0680	Brush Tube	(2)
				★ 55	22-18-0706	Carbon Brush Assembly	(2)
				56	06-82-8835	8-32 x 5/16" Pan Hd. Sem T-20	(2)
				57	22-56-0470	Terminal Block	(1)
				58	22-38-0140	Wire Trap	(1)
				59	31-17-0200	Cord Clamp	(1)
				60	06-82-7326	8-16 x 1" Pan Hd. Plastite T-20	(2)
				61	23-37-0150	Control Assy. -Refer to Bull. 58-03-0020	(1)
				★ 62	06-72-1720	Service Rivet	(2)
				★ 63	12-15-7545	Service Nameplate	(1)
				64	22-32-0350	Brush Cover	(2)
				★ 65	06-82-5316	8-32 x 1/2" Pan Hd. Slit. Taptite T-20	(2)
				66	28-50-6360	Motor Housing	(1)
				67	06-95-5200	8-32 x 5/16" Slotted Hex Hd. Screw	(1)
					49-96-4700	1-3/8" Open Wrench	(1)
					49-96-0085	3/16" Socket Wrench	(1)
					49-96-0050	3/32" Socket Wrench	(1)
					45-56-0210	26" Strap and Buckle	(1)
				<b>FOR MOUNTING DRILL MOTOR USE:</b>			
					06-75-3090	1/4 20 x 7/8" Socket Hd. Screw	(4)
					06-97-4050	1/4" Split Ring Lock Washer	(4)
				<b>FIG. LUBRICATION</b>			
				★ 19	20 Oz. Type "J" Grease, No.49-08-4220.		
1	42-90-0200	Water Hose Fitting	(1)				
2	45-80-0060	Shut Off Valve	(1)				
3	34-60-1800	Retaining Ring	(1)				
4	45-22-0050	Spindle Sleeve	(1)				
★ 5	44-60-0065	Shear Pin	(1)				
6	45-06-0050	Trostel Seal	(2)				
7	43-76-0051	Water Swivel Hsg. (With 06-83-2430 Screw)	(1)				
8	34-60-2115	Retaining Ring	(1)				
9	42-40-0830	Spindle Bushing	(1)				
10	34-40-1100	O-Ring	(1)				
11	34-40-1200	O-Ring	(1)				
12	34-40-1350	O-Ring	(2)				
13	38-50-4555	Spindle	(1)				
14	06-65-1530	1/8 x 1/2" Roll Pin	(1)				
15	06-42-2400	Woodruff Key	(1)				
16	34-80-3800	Retaining Ring	(1)				
17	02-20-2515	Ball Bearing	(1)				
18	06-82-9202	1/4-20 x 4-1/4" Taptite T-30 Screw	(4)				
19	28-14-1870	Gear Case Assy.(Inc. 06-65-1535 Pin)	(1)				
20	45-36-1245	Spindle Spacer	(1)				
21	32-75-2661	Spindle Gear	(1)				
22	02-50-4830	Needle Bearing	(1)				
23	02-04-1205	Ball Bearing	(4)				
24	36-66-3751	Pinion Shaft Assembly	(1)				
25	06-42-1600	Woodruff Key	(1)				
26	32-40-1581	Intermediate Gear	(1)				
27	40-50-6300	Shifting Spring	(2)				
28	44-70-0100	Shifting Plunger	(2)				
29	45-88-0520	Thrust Bearing Washer	(1)				
30	02-80-1800	Thrust Bearing	(1)				
31	32-10-0061	Clutch Gear Assembly	(1)				
32	36-14-0720	Clutch Pinion Shaft	(1)				
33	45-88-0530	Thrust Bearing Washer	(1)				
34	02-80-5000	Thrust Bearing	(1)				
35	32-10-0051	Clutch Gear Assembly	(1)				
36	45-88-0510	Thrust Bearing Washer	(2)				
37	02-80-1200	Thrust Bearing	(1)				
38	45-98-0090	Shifting Yoke	(1)				
★ 39	14-13-0210	Diaphragm Assy.(Inc.06-65-1155 Pin)	(1)				

MILWAUKEE ELECTRIC TOOL CORPORATION  
13135 W. LISBON RD., BROOKFIELD, WI 53005