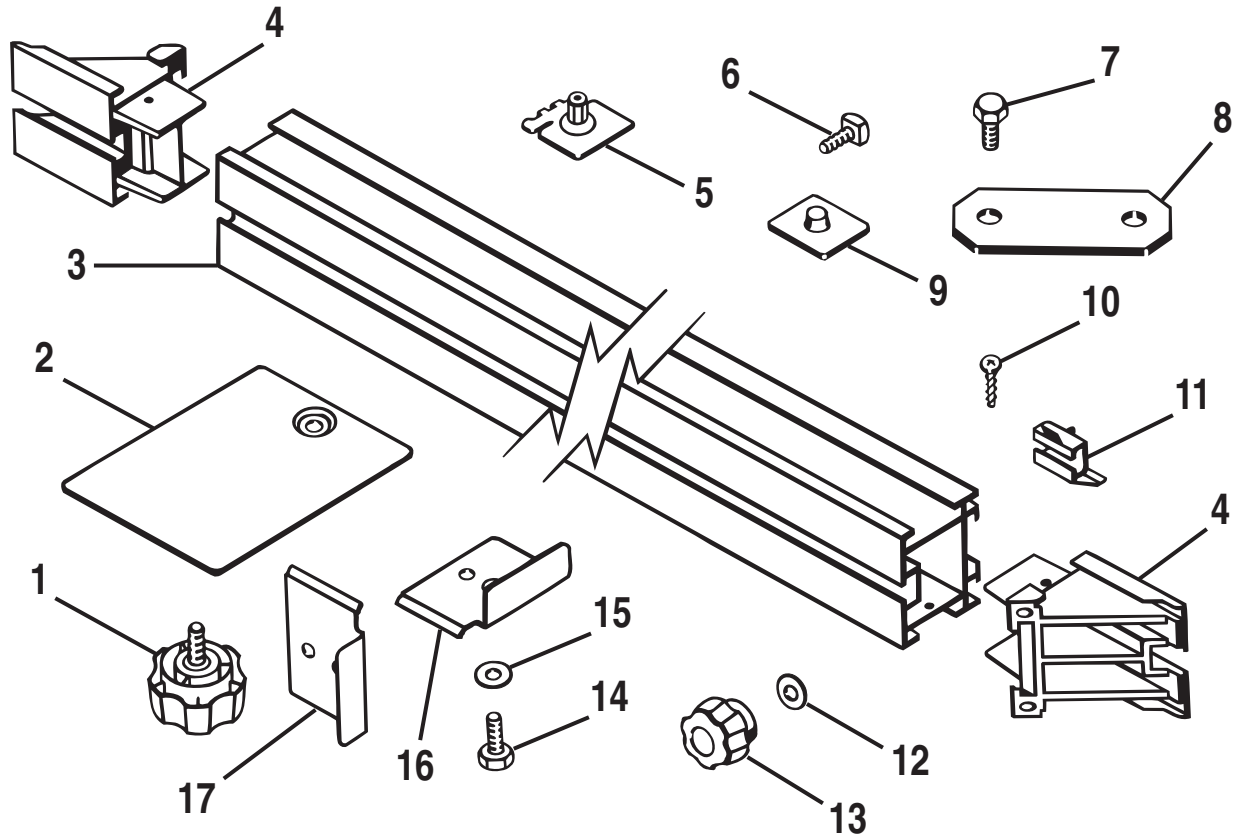


## RYOBI LONG MITER/RIP FENCE KIT NO. 4060300

Now that you have purchased your **Long Miter/Rip Fence Kit**, should a need ever exist for repair parts or service, simply contact your nearest Ryobi Authorized Service Center. Be sure to provide all pertinent facts when you call or visit.



### PARTS LIST

Key No.	Part Number	Description	Qty.
1	661815-001	Knob Bolt (5/16-18 x 1/2 in.)	1
2	969959-002	Bracket (Work Support)	1
3	969958-001	Miter/Rip Fence Rail	1
4	969190-001	Saw Gage	2
5	661811-001	Locator Pin	1
6	* 623166-005	Bolt (1/4-20 x 1/2 in. Sq. Hd.)	1
7	* 616670-014	Bolt (5/16-18 x 1/2 in. Hex Hd.)	4
8	970147-002	Connector	2
9	969251-001	5/16 in. T-Nut (Special)	6
10	968702-009	Screw (8-16 x 5/8 in. Plastite Pan Hd.)	2
11	969191-002	Miter Indicator	1
12	* 706382-358	Washer (1/4 in.)	1
13	661816-001	Knob Nut (1/4-20)	1
14	* 615570-014	Bolt (5/16-18 x 7/8 in. Hex Hd.)	1
15	* 706382-361	Washer (5/16 in.)	6
16	969960-002	Bracket (Support and Left Positive Stop)	2
17	662125-001	Bracket (Right Positive Stop)	1
	972000-218	Operator's Manual	

\* STANDARD HARDWARE ITEM — MAY BE PURCHASED LOCALLY