

1. SPECIFICATIONS & ACCESSORIES

TOOL SPECIFICATIONS

MODEL NO. PART NO.	3225/CN55, 405300	4275/CN70, 405301	5325/CN80, 405302
HEIGHT	11-1/8" (238mm)	12-7/16"(315mm)	14-1/4" (362mm)
WIDTH	5-1/8" (131mm)	5" (128mm)	5-3/16" (132mm)
LENGTH	10-5/8" (270mm)	12-1/16"(306mm)	12-1/8" (307mm)
WEIGHT	5.5lbs. (2.5kg)	7.6lbs (3.5kg)	8.2 lbs. (3.7 kg)
OPERATING PRESSURE	70 to 120 p.s.i. (4.9 to 7.1 kg/cm²)		

NAIL SPECIFICATIONS

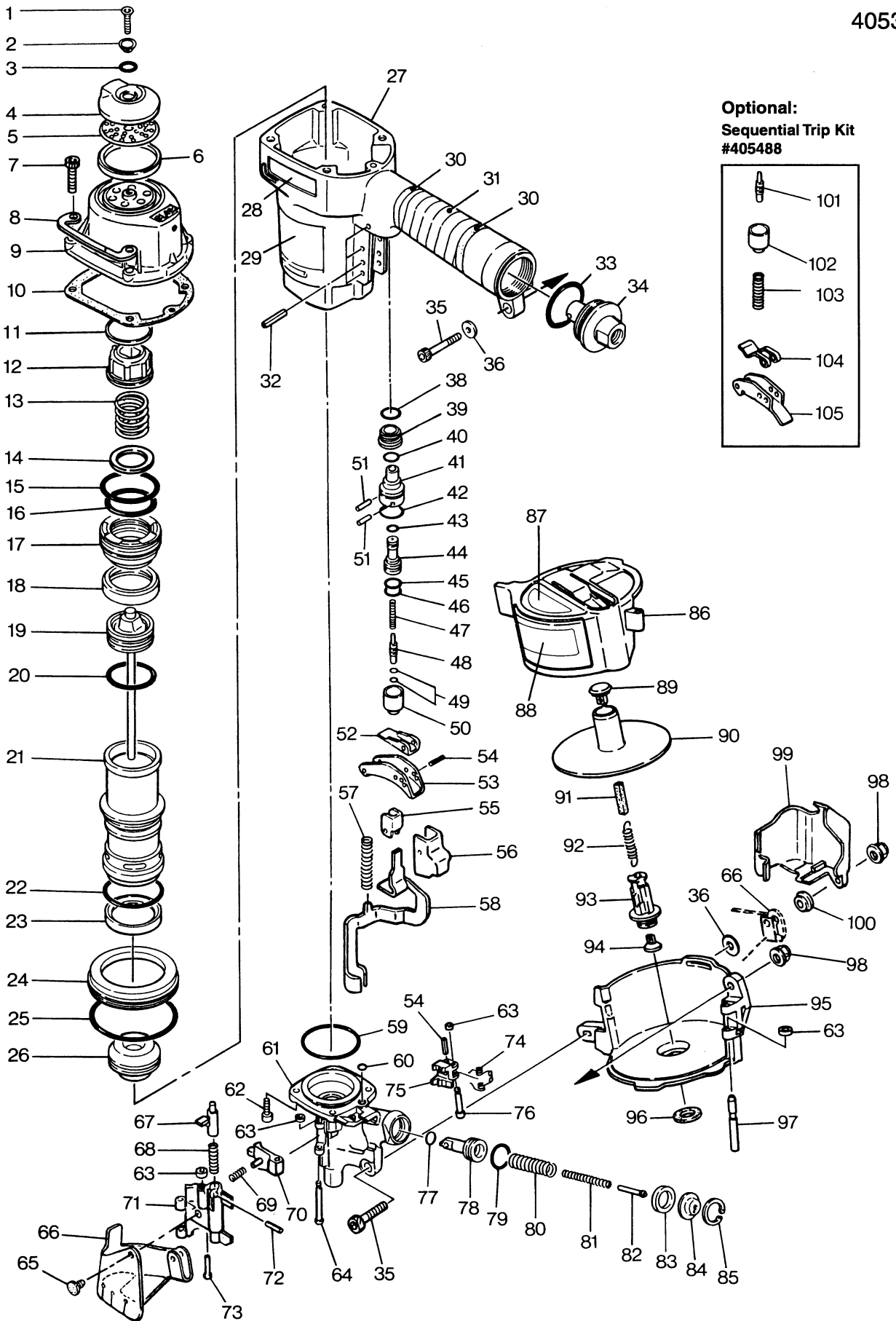
NAIL LENGTH	1" to 2-1/4" (25 TO 57mm)	1-3/4" to 2-3/4" (45 to 70mm)	2" to 3-1/4" (50 to 83mm)
SHANK DIAMETER	.083" and .090" (2.1 and 2.3mm)	.090" and .113" (2.3 to 2.9mm)	.099" to .131" (2.5 to 3.3mm)
SHANK FORM	Smooth, Ring, Screw		

TOOL AIR FITTINGS:

These tools use a 1/4" N.P.T. male plug. The inside diameter should be .28" (7mm) or larger. The fitting must be capable of discharging tool air pressure when disconnected from the air supply.

OPERATING AIR PRESSURE:

70 to 120 p.s.i. (4.9 to 7.1 kg/cm²). Select the operating air pressure within this range for best fastener performance. **DO NOT EXCEED THIS RECOMMENDED OPERATING PRESSURE.**



PARTS LEGEND

3225/CN55, 405300

1	405312	1	Screw M8 x 20	51	405422	1	Straight Pin 161
2	405489	1	Exhaust Cover Holder	52	405473	1	Contact Lever
* 3	405434	1	O-Ring	53	405472	1	Trigger
4	405372	1	Exhaust Cover	54	405417	1	Roll Pin 3 x 16
5	405367	1	Exhaust Filter	55	405352	1	Contact Arm Guide
6	405371	1	Exhaust Cover Seal	56	405354	1	Contact Arm Cover-B
7	405306	1	Screw M6 x 25	57	405466	1	Compression Spring 3256
8	405390	1	Protector	58	405365	1	Contact Arm Unit
9	405384	1	Cylinder Cap Unit	*59	405456	1	O-Ring
10	405457	1	Cylinder Cap Seal	*60	405449	1	O-Ring
11	405368	1	Spacer,Exhaust	61	405355	1	Nose
12	405379	1	Piston Stop	62	405304	1	Screw M6 x 22
13	405469	1	Compression Spring 3578	63	405414	1	Rubber Washer 7
14	405381	1	Head Valve Washer	64	405428	1	Step Pin 1501
*15	405438	1	O-Ring	65	405320	1	Dust Cover Hook
*16	405444	1	O-Ring	66	405363	1	Dust Cover
17	405386	1	Head Valve Piston	67	405316	1	Door Latch
18	405382	1	Cylinder Seal	68	405461	1	Compression Spring 3123
*19	405351	1	Main Piston Unit	69	405460	1	Compression Spring 3109
*20	405430	1	O-Ring	70	405362	1	Check Pawl
21	405349	1	Cylinder	71	405361	1	Door
*22	405439	1	O-Ring	72	162498	1	Roll Pin 3 x 12
23	405350	1	Check Valve	73	405429	1	Step Pin 1502
24	405323	1	Cylinder Ring	74	405470	1	Torsion Spring 3058
*25	405446	1	O-Ring	75	405356	1	Feed Pawl
*26	405366	1	Bumper	76	405425	1	Step Pin 1263
27	405383	1	Frame	*77	405455	1	O-Ring
28	405476	2	Logo Label	78	405357	1	Feed Piston
29	405478	1	Nameplate	*79	405436	1	O-Ring
30	405375	1	Grip End Tape	80	405467	1	Compression Spring 3257
31	405378	1	Grip Tape	81	405468	1	Compression Spring 3258
32	405421	1	Roll Pin 3 x 28	82	405359	1	Spring Guide
*33	405448	1	O-Ring	83	405358	1	Feed Piston Stop
34	405385	1	End Cap	84	405360	1	Spring Collar
35	405309	1	Screw M6 x 38	85	405458	1	Retaining Ring
36	405413	1	Plain Washer 138	86	405389	1	Magazine Cover
*38	405440	1	O-Ring	**87	405481	1	Warning Label
39	405364	1	Spacer	88	405475	1	Magazine Label
*40	405437	1	O-Ring	89	405370	1	Post Cap
41	405374	1	Trigger Valve Housing	90	405369	1	Nail Support
*42	405435	1	O-Ring	91	405317	1	Spacer
*43	405432	1	O-Ring	92	405459	1	Tension Spring
44	405373	1	Pilot Valve	93	405388	1	Magazine Post
*45	405442	1	O-Ring	94	405318	1	Receiver, Spring
*46	405431	1	O-Ring	95	405387	1	Magazine
47	405462	1	Compression Spring 3129	96	405415	1	Post Retainer
48	405322	1	Trigger Valve Stem	97	405424	1	Straight Pin
*49	405443	1	O-Ring	98	405314	1	Elastic Stop Nut M6 x 1
50	405321	1	Trigger Valve Cap	99	405353	1	Contact Arm Cover-A

* Denotes Normal Wear items

** Make sure Warning Label (405481) is properly affixed. Replace if necessary. Label available at no charge through the Service Parts Dept.

@ Apply Loctite 242 (Blue) Part #093500.

Parts Special to Sequential Trip Kit #405488

101	405483	1	Trigger Valve Stem
102	405484	1	Trigger Valve Cap
103	405485	1	Compression Spring 3228
104	405486	1	Contact Lever
105	405487	1	Trigger