

# PARTS LEGEND 3175 RCU, 405000

1	501300	4	S.H.C.S w/ washer, 1/4-20 x 1-1/4"	50	404012	1	Holdback Claw
2	091447	4	REMOVED	51	404014	1	Door
3	402726	1	Air Diffuser	52	404013	1	Front Guide
*4	402782	2	Wear Shield Cap	53	404663	1	Spring, Work Contacting Element
▲ 5	006310	1	Socket Head Capscrew, #6-32 x 1/2"	*54	402031	1	"O" Ring
6	402728	1	"O" Ring	55	405234	1	Piston, Feed Claw
7	402704	1	Cap	*56	092709	1	"O" Ring
8	402717	1	Conical Spring	57	096815	1	Spring
9	404230	1	Retaining Ring	58	403572	1	Bumper, Feed Claw Piston
*10	091537	1	"O" Ring, Main Valve Assembly	59	405233	1	Piston Guide
11	404122	1	Upper Valve Piston	60	403573	1	Retaining Ring
12	404055	1	Post, Main Valve	61	402486	1	Retaining Washer
*13	404256	1	"O" Ring, Main Valve Post	▲ 62	009037	2	Socket Head Capscrew, #10-32 x 1/2"
*14	402723	1	"O" Ring, Piston	63	402629	3	Hardened Washer, #10
15	403582	1	Lock Nut, Gripco, 5/16-24	64	404002	1	Grommet, Debris Shield
16	403563	1	Piston	65	404003	1	Intermediate Work Contacting Element
*17	404001	1	Driver Blade	66	402488	1	Pivot Pin, Feed Claw
18	402725	1	Seal, Sleeve	67	402041	1	Torsion Spring, Feed Claw
19	405245	1	Sleeve	68	405001	1	Feed Claw
*20	091966	1	"O" Ring, Sleeve	69	404004	1	Work Contacting Element
*21	402729	1	"O" Ring, Sleeve	**70	500459	1	Warning Label
22	403854	1	Retaining Bumper	71	404015	1	Cover, Magazine
*23	403853	1	Bumper	*72	404092	2	Wear Shield, Magazine
24	402707	1	Gasket, Cap	*73	404093	1	Debris Shield
25	402701	1	Housing	74	403579	1	Roll Pin, 1/16" Dia. x 1/2" Lg.
26	404939	2	Logo, Housing	75	403568	1	Cap, Post
27	096893	1	Nameplate	76	402071	1	Extension Spring, Post
28	402708	1	Gasket, Nose	77	403543	1	Nail Plate Assembly
29	405147	1	Lever, Trigger	78	404731	1	Center Post, Outer
30	405144	1	Trigger	79	403580	1	Retaining Ring
31	500488	1	Grip, Handle	80	403556	1	Center Post, Inner
32	005849	1	Roll Pin	81	005849	2	Roll Pin, 1/8" x 11/16" Lg.
33	402079	1	Pin, Trigger	82	404016	1	Magazine
34	404325	1	Stop Nut	83	404303	1	Socket Head Capscrew, #10-32 x 1 1/4"
35	026133	2	Roll Pin, 1/8" Dia. x 1" Lg.	84	006057	3	Flat Washer, #10
36	404017	1	Magazine Bracket	85	006621	1	Socket Head Capscrew, #10 32 x 7/8"
▲ 37	004502	4	Socket Head Capscrew, #10-32 x 5/8"	86	404019	1	Nut, Shingle Guide
38	092037	9	Flexloc Nut, #10-32	*87	404020	1	Shingle Guide
39	097748	2	Spring	▲ 88	004224	3	Socket Head Capscrew, #10-32 x 3/8"
40	097746	1	Valve Pin	89	404018	1	Bracket, Shingle Guide
*41	092174	1	"O" Ring, Valve Body	90	404361	1	Roll Pin, 1/8" Dia. x 1/2" Lg.
42	401958	1	Valve Body	91	002187	4	Lock Washer, 1/4"
*43	091591	1	"O" Ring, End Plug	92	404054	1	Seal, Main Valve
▲ 44	401940	1	End Plug	*93	090927	1	"O" Ring, Main Valve
45	091622	1	Reducing End Plug	*94	092775	1	"O" Ring, Main Valve
46	404007	1	Nose Assembly With Magnet	*95	092773	1	"O" Ring, Main Valve
47	404106	1	Socket Head Capscrew, #10-32 x 2"	96	404056	1	Lower Valve Piston
48	404091	2	Wear Shield, Nose	97	404010	1	Magnet
▲ 49	091545	4	Socket Head Capscrew, 1/4 - 20 x 7/8"	98	405243	1	Flange, Sleeve

\*\* NOTE: Make sure Warning Label (500459) is properly affixed.

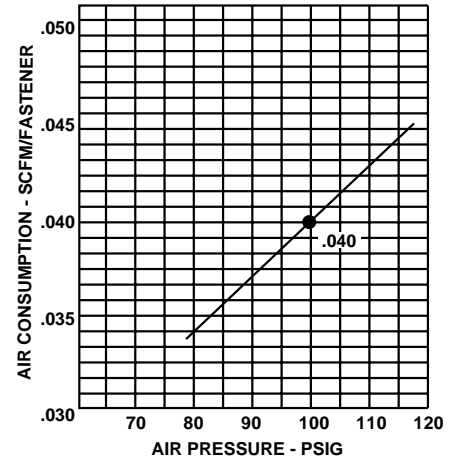
Replace if necessary. Label available at no charge through Service Department.

\* Denotes normal wear items

▲ Apply Loctite 242 (Blue) Part No. 093500

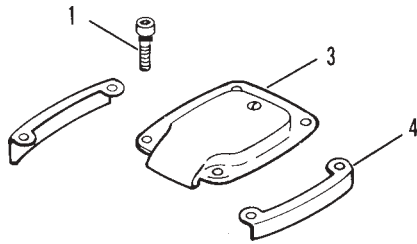
➔ Denotes New Change

**AIR CONSUMPTION CHART**

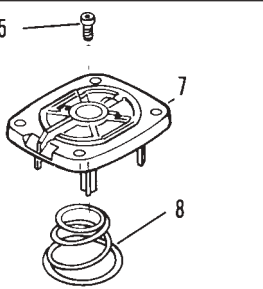


# 3175 RCU

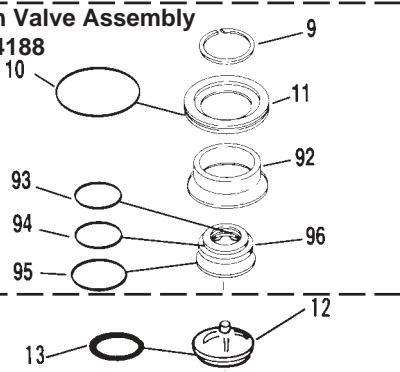
405000



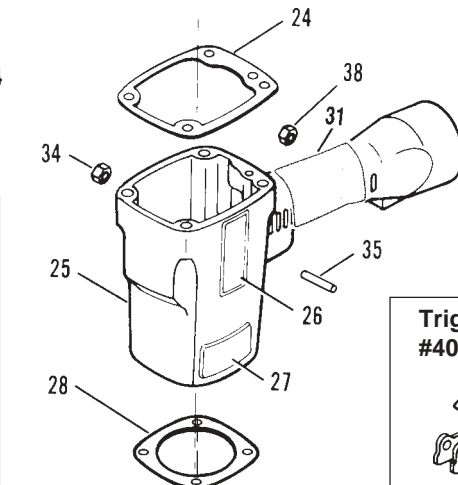
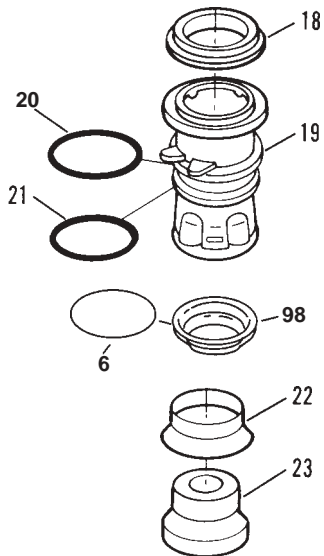
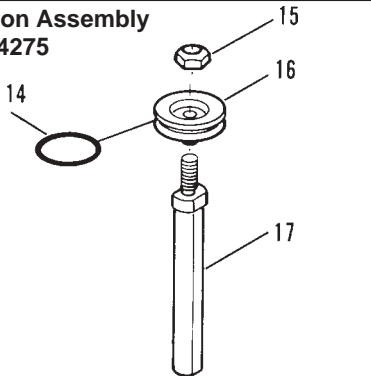
**Cap Assembly  
#402709**



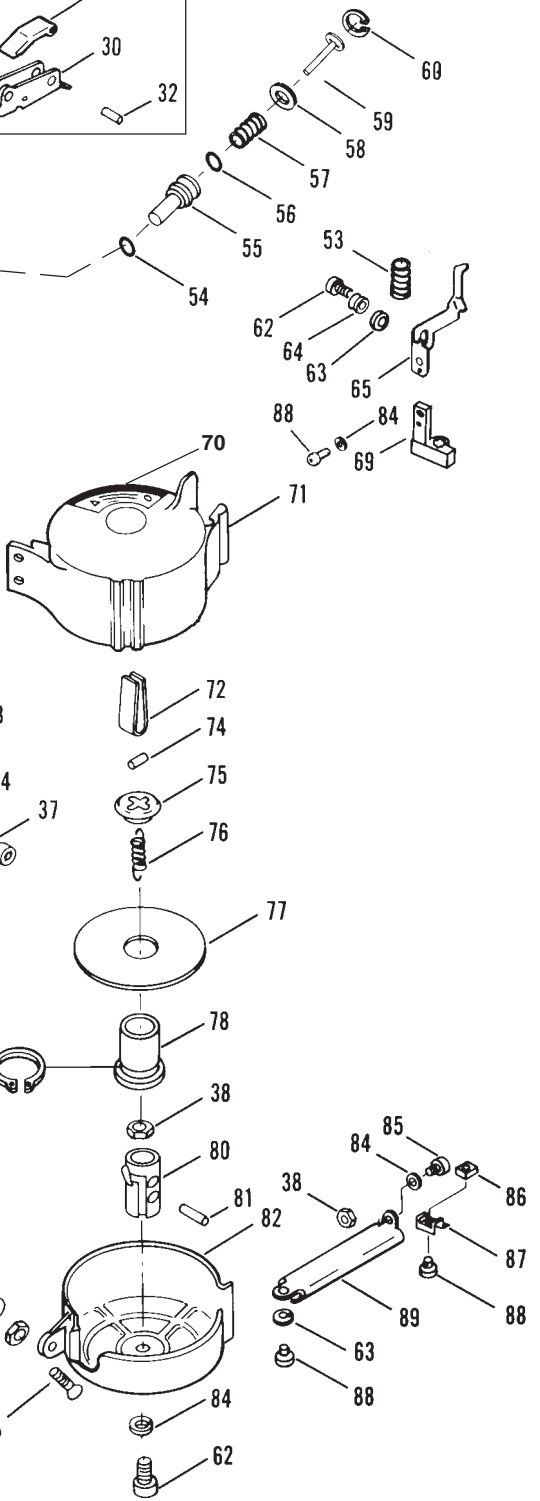
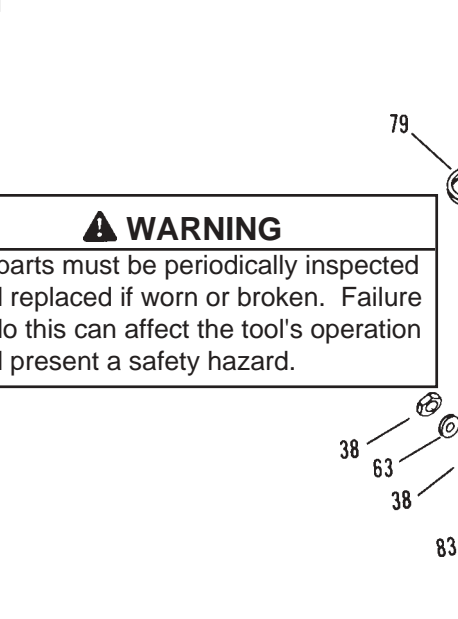
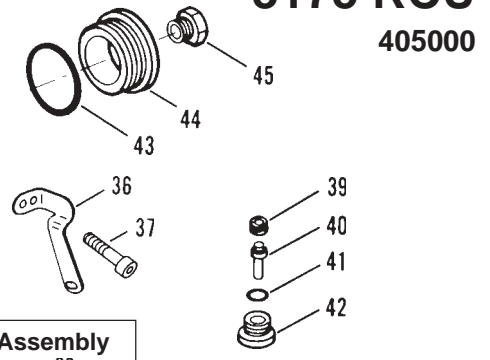
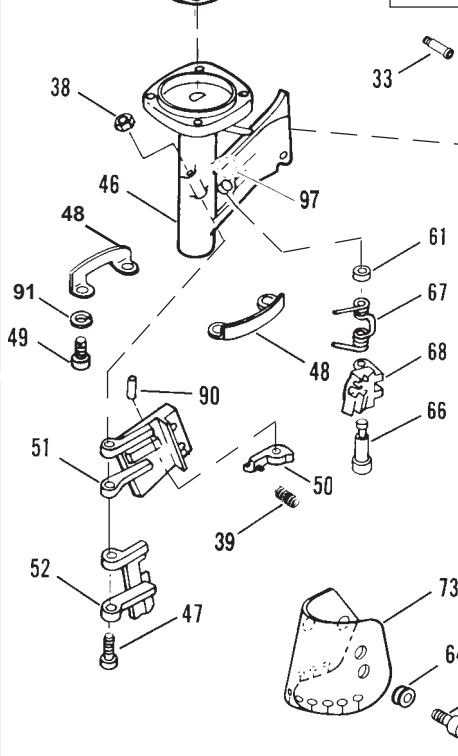
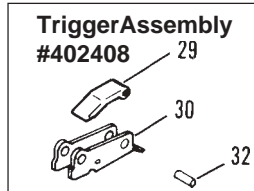
**Main Valve Assembly  
#404188**



**Piston Assembly  
#404275**



**Trigger Assembly  
#402408**



**⚠ WARNING**  
All parts must be periodically inspected and replaced if worn or broken. Failure to do this can affect the tool's operation and present a safety hazard.