

3200/50-C, 403800

PARTS LEGEND

3200/50-CPQ, 500303

3200/50-CQ, 403800X (Europe)

1	091362	4	Socket Head Capscrew, 1/4-20 x 1-1/4"	46	403808	1	Nose		
☞	013567	4	Socket Head Capscrew, (3200/50-CPQ)	47	404106	1	Socket Head Capscrew, #10-32 x 2"		
2	002187	8	Lock Washer, 1/4"	48	404054	1	Seal, Main Valve		
3	404242	1	Air Diffuser	▲	49	091545	4	Socket Head Capscrew, 1/4 - 20 x 7/8"	
4	091447	4	Washer	50	404012	1	Holdback Claw		
▲	006310	1	Socket Head Capscrew, #6-32 x 1/2"	51	403551	1	Door		
→	6			52	403558	1	Locator		
→	7	402704	1	Cap	53	404663	1	Spring, Work Contacting Element	
☞	7A	500329	1	Cap With Setscrew (3200/50-CPQ)	*54	402031	1	"O" Ring	
8	402717	1	Conical Spring	55	405234	1	Piston, Feed Claw		
9	404230	1	Retaining Ring	*56	092709	1	"O" Ring		
*10	091537	1	"O" Ring, Main Valve Assembly	57	096815	1	Spring		
11	404122	1	Upper Valve Piston	58	403572	1	Bumper, Feed Claw Piston		
12	404055	1	Post, Main Valve	59	405233	1	Piston Guide		
*13	404256	1	"O" Ring, Main Valve Post	60	403573	1	Retaining Ring		
*14	402723	1	"O" Ring, Piston	61	402486	1	Retaining Washer		
15	403582	1	Lock Nut, Gripco, 5/16-24	▲	62	009037	2	Socket Head Capscrew, #10-32 x 1/2"	
16	403563	1	Piston	63	006057	2	Flat Washer, #10		
☞	405562	1	Piston (3200/50-CPQ)	*64	090927	1	"O" Ring, Main Valve		
*17	403802	1	Driver Blade	65	403807	1	Work Contacting Element		
☞	405563	1	Driver Blade (3200/50-CPQ)	66	402488	1	Pivot Pin, Feed Claw		
18	402725	1	Seal, Sleeve	*67	402041	1	Torsion Spring, Feed Claw		
19	405245	1	Sleeve	68	403557	1	Feed Claw		
*20	402728	1	"O" Ring, Sleeve	69	405243	1	Flange Sleeve		
*21	402729	1	"O" Ring, Sleeve	**70	400658	1	Warning Label		
22	403854	1	Retaining Bumper	71	404015	1	Cover, Magazine		
*23	403853	1	Bumper	72	402629	2	Washer		
*24	402707	1	Gasket, Cap	*73	403806	1	Debris Shield		
☞	500325	1	Gasket, Cap (3200/50-CPQ)	74	403579	1	Roll Pin, 1/16" Dia. x 1/2" Lg.		
25	402701	1	Housing	75	403568	1	Cap, Post		
26	404939	2	Logo, Housing (3200/50-C)	76	402071	1	Extension Spring, Post		
	405118	2	Logo, Housing (3200/50-CQ,CPQ)	77	403543	1	Nail Plate Assembly		
27	096893	1	Nameplate (3200/50-C)	78	404731	1	Center Post, Outer		
	405553	1	Nameplate (3200/50-CQ,CPQ)	79	403580	1	Retaining Ring		
28	402708	1	Gasket, Nose	80	403556	1	Center Post, Inner		
29	405147	1	Lever, Trigger	81	005849	1	Roll Pin, 1/8" x 11/16" Lg.		
30	405144	1	Trigger	82	404016	1	Magazine		
31	500488	1	Grip Handle	83	404303	1	Socket Head Capscrew, #10-32 x 1 1/4"		
32	005849	1	Roll Pin	84	404002	3	Grommet		
33	402079	1	Pin, Trigger	85	006621	1	Socket Head Capscrew, #10 32 x 7/8"		
34	404325	1	Stop Nut	*86	092775	1	"O" Ring, Main Valve		
35	026133	2	Roll Pin, 1/8" Dia. x 1" Lg.	☞	87	500327	1	Cap Storage (3200/50-CPQ)	
36	404017	1	Magazine Bracket	88	404361	1	Roll Pin, 1/8" x 1/2" Lg.		
37	004502	4	Socket Head Capscrew, #10-32 x 5/8"	89	404243	4	Spacer, Diffuser		
38	092037	8	Flexloc Nut, #10-32	*90	092773	1	"O" Ring, Main Valve		
39	097748	2	Spring, Valve Pin	91	404056	1	Lower Valve Piston		
40	097746	1	Valve Pin	92	405523	1	Fastener Label (3200/50-CQ)		
*41	092174	1	"O" Ring, Valve Body	93	091732	1	Flexloc Nut 10-32		
42	401958	1	Valve Body	94	091966	1	O-Ring		
43	091591	1	"O" Ring, End Plug	95	403295	1	Spring, Compression		
▲	44	401940	1	End Plug	☞	96	091541	1	"O" Ring, Cap (3200/50-CPQ)
45	091622	1	Reducing End Plug	☞	97	500328	1	"O" Ring, Cap (3200/50-CPQ)	
				☞	98	500330	1	Cap Assembly (3200/50-CPQ)	

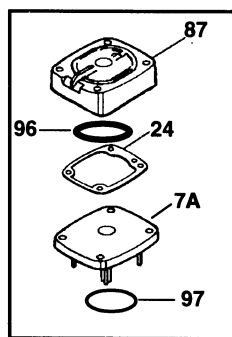
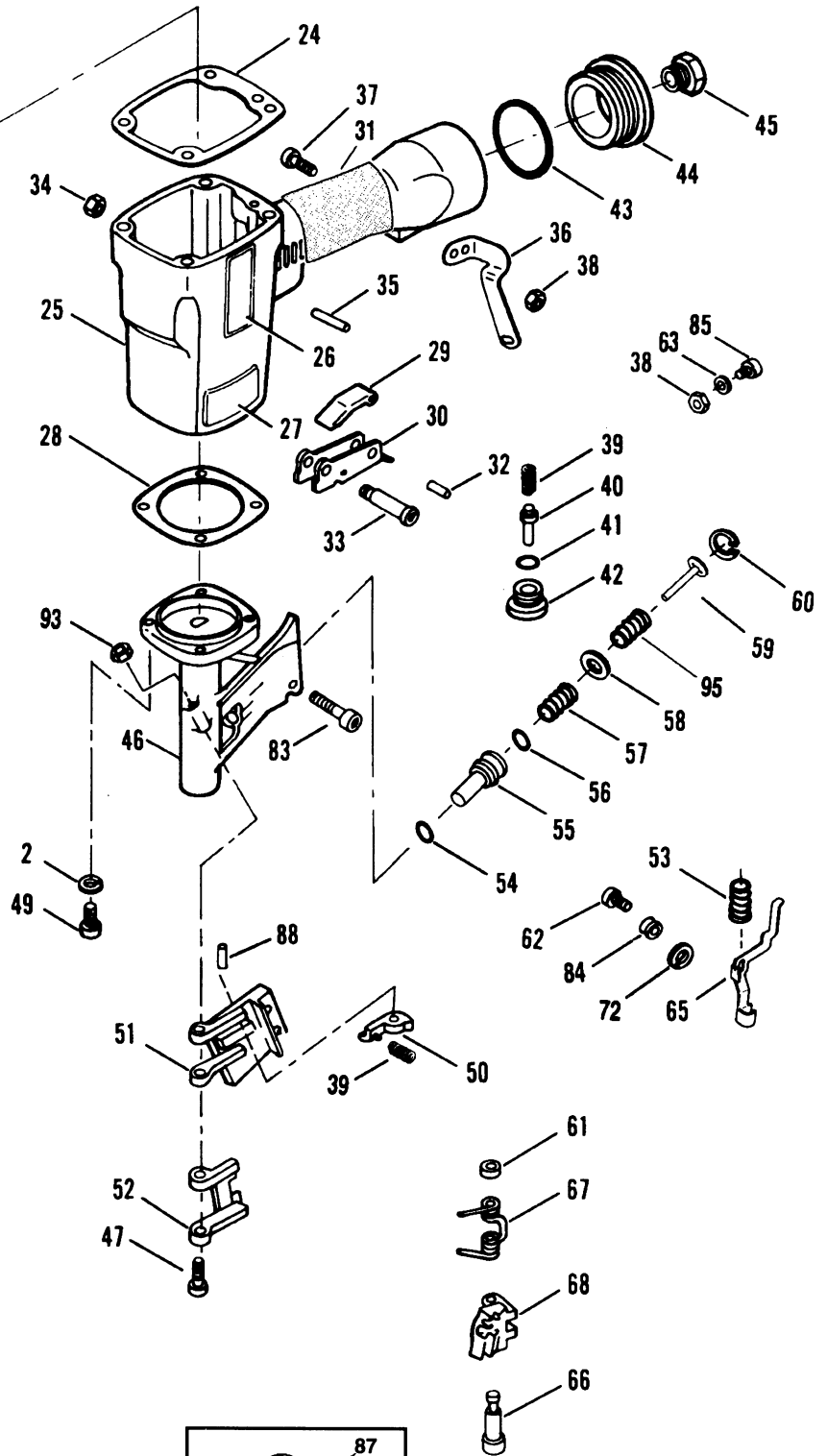
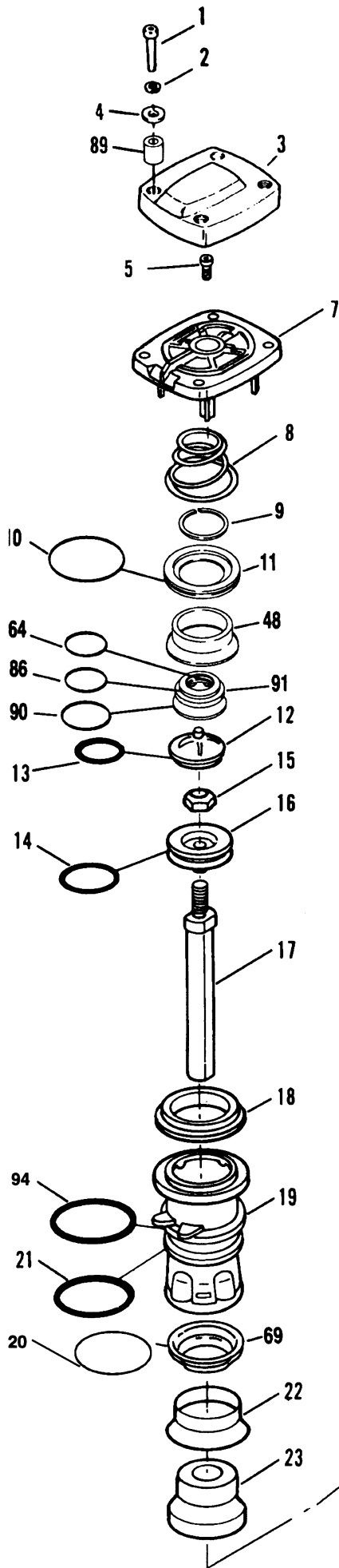
▲ Apply Loctite 242 (Blue) Part No. 093500

* Denotes normal wear items

** NOTE: Make sure Warning Label (400658) is properly affixed. Replace if necessary. Label available at no charge through Service Department.

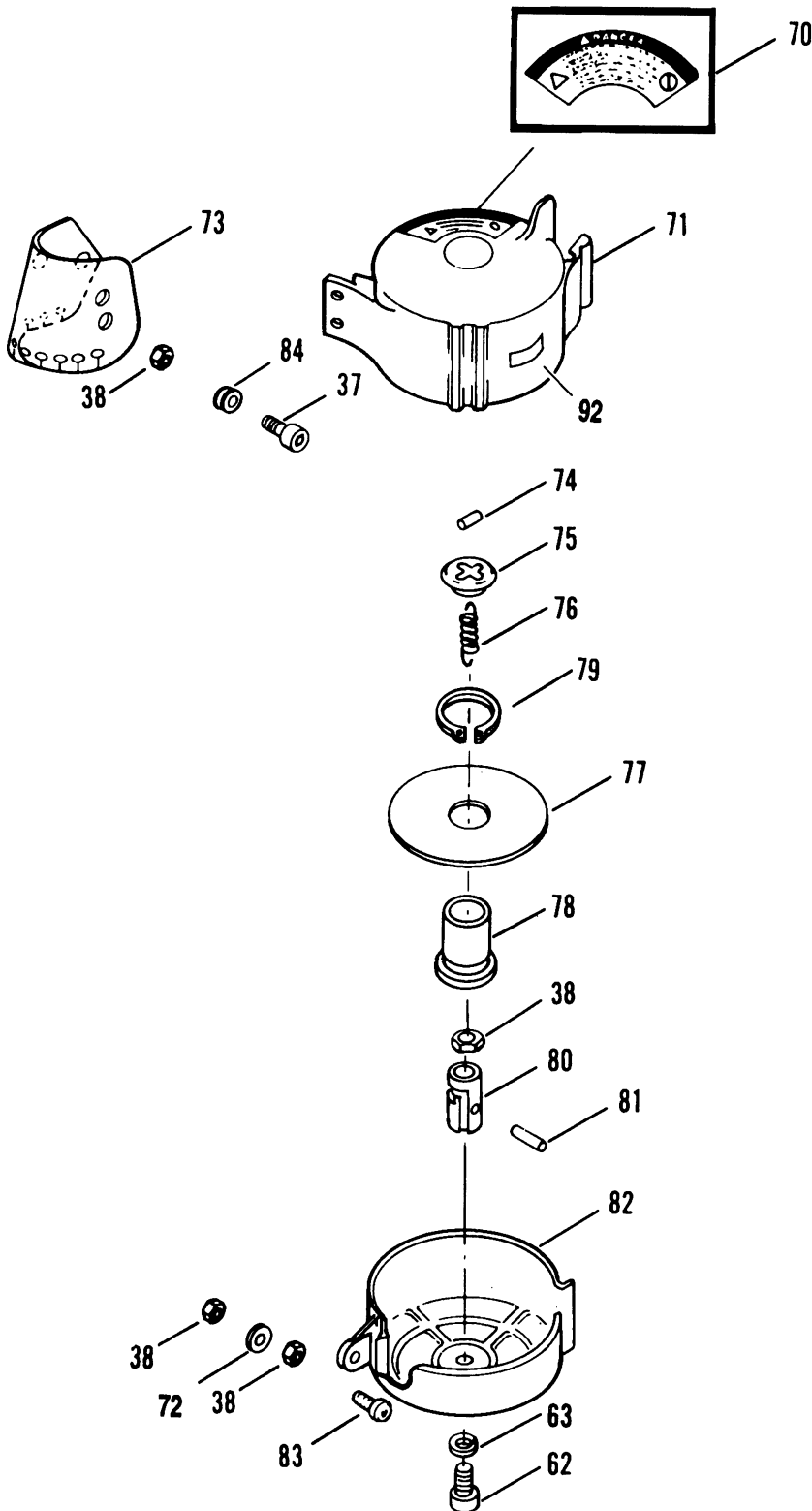
→ Denotes new change.

☞ Denotes *unique* part to the Model 3200/50-CPQ only



For Model 3200/50-CPQ Only

3200/50-C
403800
3200/50-CPQ
500303
3200/50-CQ
403800X (Europe)



⚠ WARNING

All parts must be periodically inspected and replaced if worn or broken. Failure to do this can affect the tool's operation and present a safety hazard.

PARTS OFFERED AS ASSEMBLIES

402408 Trigger Assembly

Includes

29	405147	1	Lever, Trigger
30	405144	1	Trigger
32	005849	1	Roll Pin

404188 Main Valve Assembly

Includes

9	404230	1	Retaining Ring
*10	091537	1	"O" Ring, Main Valve Assembly
11	404122	1	Upper Valve Piston
48	404054	1	Seal, Main Valve
*64	090927	1	"O" Ring, Main Valve Assembly
*86	092775	1	"O" Ring, Main Valve Assembly
*90	092773	1	"O" Ring, Main Valve Assembly
91	404056	1	Lower Valve Piston

403804 Piston Assembly

405561 Piston Assembly (3200/50-CPQ)

Includes

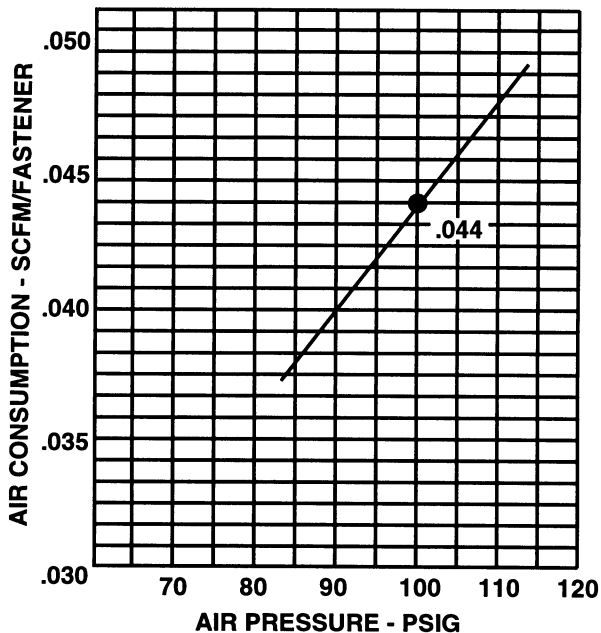
*14	402723	1	"O" Ring, Piston
15	403582	1	Lock Nut, Gripco, 5/16-24
16	403563	1	Piston
	405562	1	Piston (3200/50-CPQ)
*17	403802	1	Driver Blade
	405563	1	Driver Blade (3200/50-CPQ)

402709 Cap Assembly

Includes

5	006310	1	Socket Head Capscrew, #6-32 x 1/2"
6	070545	1	Lock Washer, #6
7	402704	1	Cap
8	402717	1	Conical Spring
12	404055	1	Post, Main Valve
*13	404256	1	"O" Ring, Main Valve Post
	404188	1	Main Valve Assembly

AIR CONSUMPTION CHART



SAFETY INSTRUCTIONS

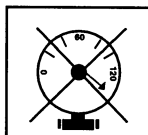
WEAR EYE AND HEARING PROTECTION



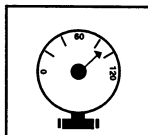
Always wear hearing protection and eye protection devices, including side shields when operating or working in the vicinity of a tool.



DO NOT EXCEED MAXIMUM RECOMMENDED AIR PRESSURE



Operate the tool using only the recommended air pressure. Do not exceed the maximum air pressure marked on the tool. Be sure the air pressure gauge is operating properly and check it at least twice a day.



Never use any bottled air or gases such as oxygen to operate the tool since they could cause the tool to explode.