



# SERVICE PARTS LIST

**BULLETIN NO.**  
54-16-3043

SPECIFY CATALOG NO. AND SERIAL NO. WHEN ORDERING PARTS		REVISED BULLETIN 54-16-3042	DATE April '84
<b>TWO SPEED DYMODRILL</b>			
<b>CATALOG NO. 4035</b>	<b>STARTING SERIAL NO. 346-12001</b>	<b>WIRING INSTRUCTION</b> <b>58-01-0395</b>	
<b>CAT. NO. 4035-6</b>	<b>START SER. NO. 346-12001</b>	<b>BILINGUAL LABEL 10-98-6120</b>	

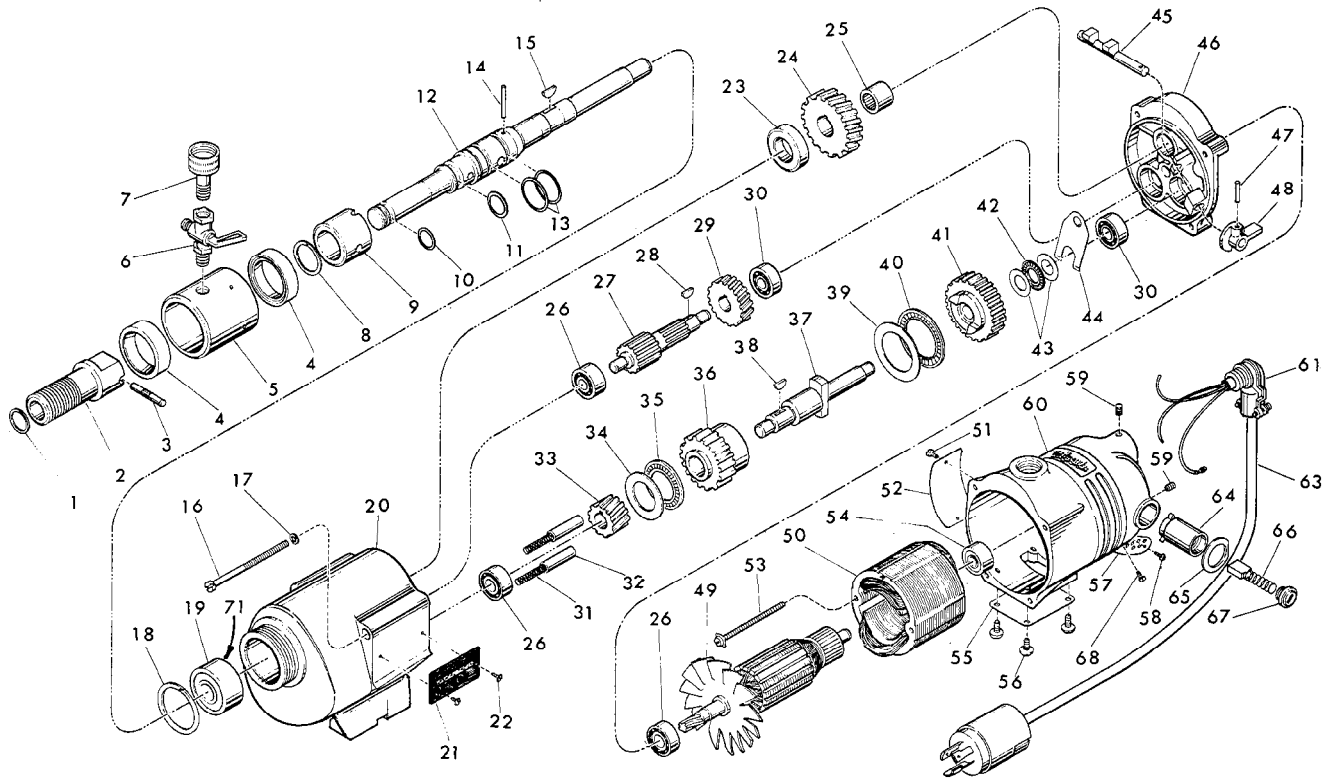


FIG.	PART NO.	DESCRIPTION OF PART	NO. REQ.	FIG.	PART NO.	DESCRIPTION OF PART	NO. REQ.
	1	34-60-1800 Retaining Ring	(1)		35	02-80-1800 Thrust Bearing	(1)
	2	45-22-0050 Spindle Sleeve	(1)		36	32-10-0061 Clutch Gear Assembly	(1)
	3	44-60-0050 Shear Pin	(1)		37	36-14-0061 Clutch Shaft	(1)
	4	45-06-0050 Trostel Seal	(2)		38	06-42-2000 Woodruff Key No. 404	(1)
	5	43-76-0051 Water Swivel Housing (W/06-83-2430 Set Screw)	(1)		39	45-88-0530 Thrust Bearing Washer	(1)
	6	45-80-0060 Shut Off Valve	(1)		40	02-80-5000 Thrust Bearing	(1)
	7	42-04-0600 Water Hose Adapter	(1)		41	32-10-0051 Clutch Gear Assembly	(1)
	8	34-60-2115 Retaining Ring	(1)		42	02-80-1200 Thrust Bearing	(1)
	9	42-40-0391 Spindle Bushing	(1)		43	45-88-0510 Thrust Bearing Washer	(2)
	10	34-40-1100 O-Ring	(1)		44	45-98-0090 Shifting Yoke	(1)
	11	34-40-1200 O-Ring	(1)		★45	30-15-0270 Shifting Cam	(1)
	★12	38-50-4555 Spindle	(1)		★46	28-28-1370 Diaphragm (Includes 06-65-0680 Groove Pin)	(1)
	13	34-40-1350 O-Ring	(2)		47	06-65-0840 1/8x3/4 Groove Pin	(1)
	14	06-65-1530 1/8x1/2 Roll Pin	(1)		48	28-60-0056 Shift Cam Knob	(1)
	15	06-42-2400 Woodruff Key No. 61	(1)		49	16-70-0160 120V. Armature	(1)
	16	06-81-2125 1/4-20x3-1/2 Fil. Hd. Screw (See Note)	(4)		50	18-70-0120 120V. Field	(1)
	17	06-97-3800 Lock Washer	(4)		51	06-85-0200 6x1/4 Rd. Hd. Type Z Screw	(2)
	18	34-80-3800 Retaining Ring	(1)		52	12-99-0040 Nameplate Blank	(1)
	★19	02-20-2515 Ball Bearing	(1)		53	06-81-9225 10-24x2-3/4 Rd. Hd. Sem	(2)
	★20	28-14-1665 Gear Case Assy. (Includes 44-60-0320 Pivot Pin and 06-65-1535 Roll Pin)	(1)		54	02-04-1070 Ball Bearing	(1)
	21	12-98-2100 Instruction Plate	(1)		55	44-66-0050 Body Cover Plate	(1)
	22	06-81-5789 4-40x1/4 Taptite Screw	(2)		56	06-81-5000 1/4-20x3/8 Truss Hd. Screw	(4)
	★23	45-36-1245 Spacer	(1)		57	44-66-0180 Cover Plate	(1)
	24	32-75-2481 Spindle Gear	(1)		58	06-81-8650 6-32x1/4 Rd. Hd. Sem	(2)
	25	02-50-4830 Needle Bearing	(1)		59	06-83-2650 1/4-20x3/8 Knrl. Set Screw	(3)
	26	02-04-1260 Ball Bearing	(3)		★60	28-50-4122 Motor Housing (Incl 45-30-0110 BB Rtnng. Slug)	(1)
	27	36-66-3751 Pinion Shaft Assembly	(1)		61	22-56-0060 Squeeze Connector	(1)
	28	06-42-1600 Woodruff Key No. 304	(1)		63	22-64-0040 Cord Set (Includes 23-36-0120 Plug)	(1)
	29	32-40-1581 Intermediate Gear	(1)		64	22-22-1015 Brush Holder Assembly	(2)
	30	02-04-1205 Ball Bearing	(2)		65	23-86-0060 Insulating Washer	(2)
	31	40-50-6300 Shifting Spring	(2)		66	22-18-0055 Carbon Brush Assembly	(2)
	32	44-70-0100 Shifting Plunger	(2)		67	23-44-0030 Brush Retaining Screw	(2)
	33	32-60-2011 Pinion Gear	(1)		68	06-81-8625 6-32x1/4 Ground Screw	(1)
	34	45-88-0520 Thrust Bearing Washer	(1)		▶69	12-98-7082 Caution Plate (Not Shown)	(1)
					70	49-96-4700 1-3/8" Open End Wrench (Not Shown)	(1)
					★71	45-36-1240 Bearing Spacer (Not Shown)	(1)

**NOTE**

FIG. 16 Apply Type 242 Blue Loctite and Torque to 65-85 In. Lbs.

▶ Omit for Canadian Tools

**MILWAUKEE ELECTRIC TOOL CORPORATION**  
13135 W. LISBON RD., BROOKFIELD, WIS. 53005