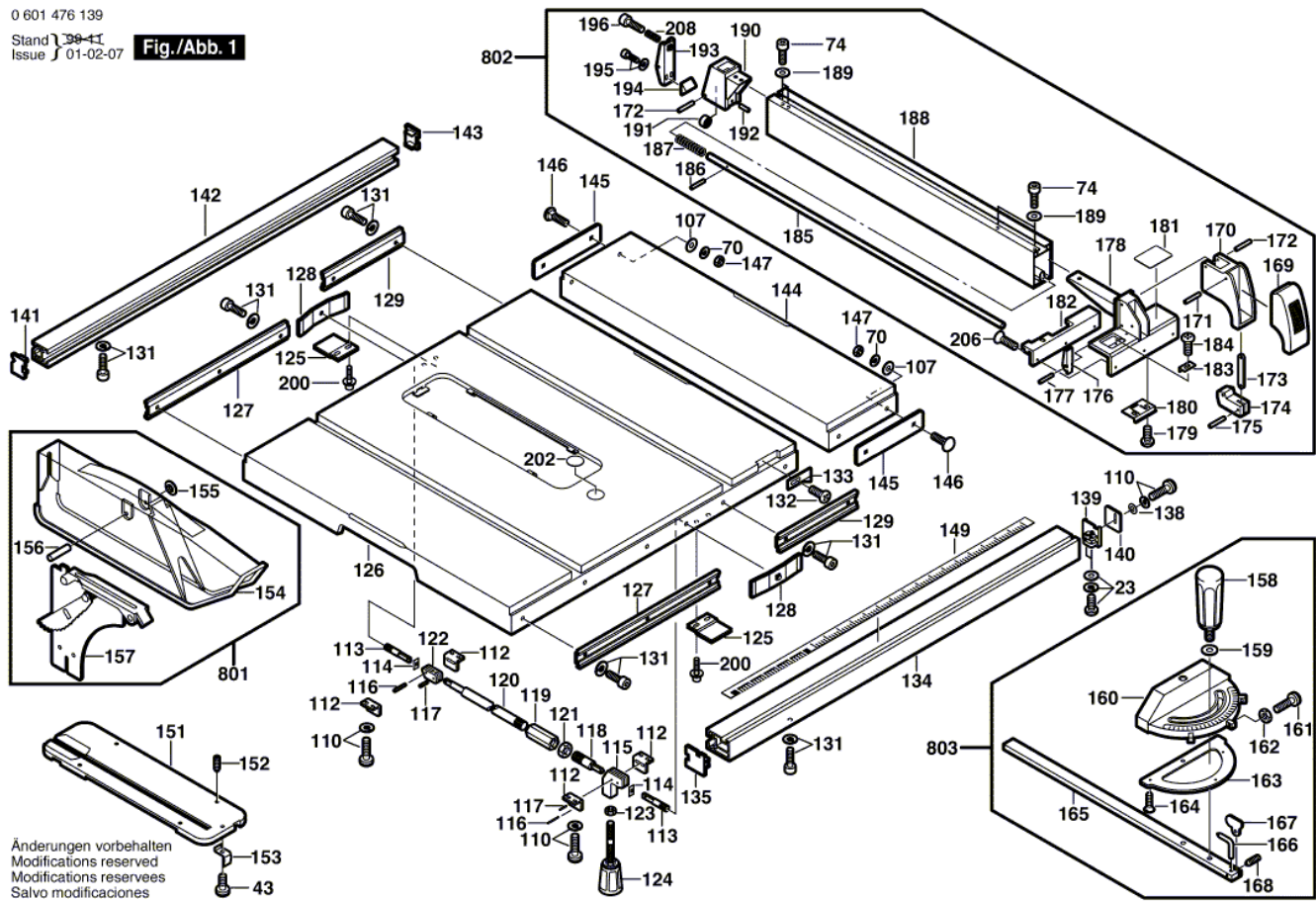


1800 W. Central Mount Prospect IL 60056

0 601 476 139

Stand 139-11
Issue 01-02-07

Fig./Abb. 1



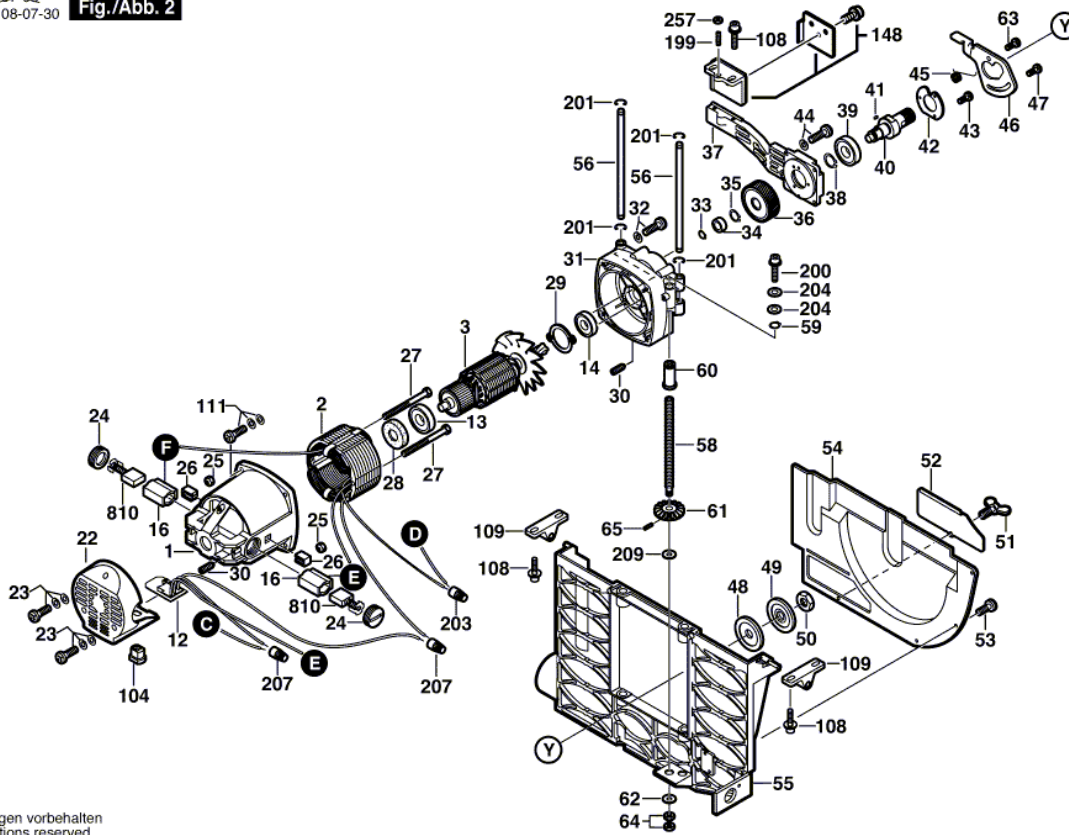
Änderungen vorbehalten
Modifications reserved
Modifications reserves
Salvo modificaciones

1800 W. Central Mount Prospect IL 60056

0 601 476 139

Stand 07-08
Issue 08-07-30

Fig./Abb. 2



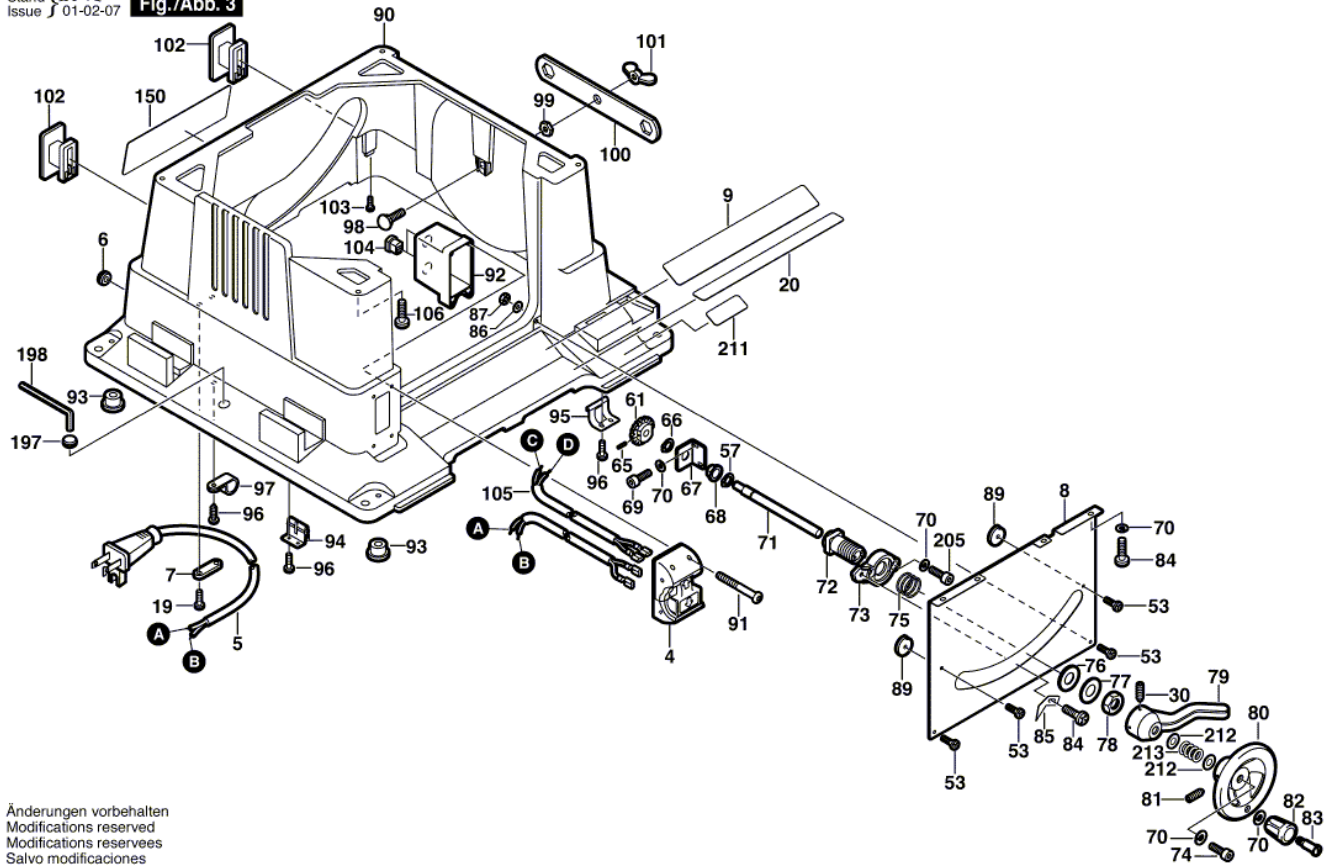
Änderungen vorbehalten
Modifications reserved
Modificaciones reservadas
Salvo modificaciones

1800 W. Central Mount Prospect IL 60056

0 601 476 139

Stand 1-11
Issue 01-02-07

Fig./Abb. 3



Änderungen vorbehalten
Modifications reserved
Modificaciones reservadas
Salvo modificaciones

1800 W. Central Mount Prospect IL 60056

Pos.	Part Number	Description	Pos.	Part Number	Description
1	2 610 018 981		65	2 610 910 796	Bolt
2	2 610 996 867	Field	66	2 610 997 277	Spring retaining ring
3	2 610 996 866	Armature	67	2 610 997 212	Mounting Bracket
4	1 600 A00 3AU		68	2 610 997 222	Bushing
5	2 610 996 945	Power supply cord	69	2 615 297 323	Screw
6	2 610 358 840	Grommet	70	2 610 911 891	Spring Washer
7	2 610 358 842	Clamp	71	2 610 996 897	Shaft
8	2 610 997 805	Front Panel	72	2 610 996 933	Threaded Bushing
9	2 610 997 806	Sticker	73	2 610 996 938	Bushing
12	2 610 997 306	Speed governor	74	2 610 950 125	Screw
13	2 610 004 595		75	2 610 997 271	Spring
14	2 610 911 927	Ball Bearing	76	2 610 998 550	Plain Washer
16	2 610 911 858	Carbon Brush Holder	77	2 610 997 299	Plain Washer
19	2 610 358 844	Screw	78	2 610 997 298	Nut
20	2 610 997 809	Nameplate	79	2 610 996 898	Clamping Lever
22	2 610 996 865	Cover	80	2 610 996 899	Handwheel
23	2 610 018 983		81	2 610 911 914	Set screw
24	2 610 911 859	Cover	82	2 610 996 925	Knob
25	2 610 327 868	Nut	83	2 610 997 270	Shoulder Screw
26	2 610 911 569	Insert	84	2 610 355 278	Screw
27	2 610 911 929	Screw	85	2 610 996 927	Pointer
28	2 610 996 948	Rubber Ring	86	2 610 355 570	Washer
29	2 610 911 566	Bearing cover	87	2 610 356 706	Nut
30	2 610 355 295	Screw	89	2 610 996 929	End stop
31	2 610 996 863	Gear Housing	90	2 610 996 859	Housing
32	2 610 998 571	Screw	91	2 610 997 294	Screw
33	2 610 911 924	Spring Washer	92	2 610 996 924	Switch Cover
34	2 610 996 949	Ball Bearing	93	2 610 358 846	Rubber Bushing
35	2 610 997 281	Spring retaining ring	94	2 610 996 930	Pickup Clip
36	2 610 997 208	Toothed Gear	95	2 610 996 931	Pickup Clip
37	2 610 996 869	Gear Cover	96	2 610 910 047	Screw
38	2 610 358 916	Spring retaining ring	97	2 610 990 504	Cable Clip
39	2 610 997 210	Ball Bearing	98	2 610 997 273	Screw
40	2 610 997 211	Output Shaft	99	2 610 997 246	Nut
41	2 610 993 102	Wedge	100	2 610 996 880	Key
42	2 610 996 932	Bearing Sleeve	101	2 610 997 247	Wing Nut
43	2 610 950 089	Screw	102	2 610 996 922	Holder
44	2 610 998 572	Screw	103	2 610 998 574	Screw
45	2 610 996 875	Coiled Spring	104	2 610 998 567	Clamp Bushing
46	2 610 996 874	Locking Lever	105	2 610 998 568	Connecting Cable
47	2 610 996 876	Shoulder Screw	106	2 610 997 297	Screw
48	2 610 996 870	Clamping Flange	107	2 610 910 013	Washer
49	2 610 996 871	Clamping Flange	108	2 610 998 575	Screw
50	2 610 358 858	Nut	109	2 610 996 894	Bearing Pedestal
51	2 610 996 879	Wing Screw	110	2 610 908 271	Tapping Screw
52	2 610 996 878	Cover Plate	111	2 610 998 587	Screw
53	2 610 910 784	Screw	112	2 610 996 921	Holding Bracket
54	2 610 996 877	Cover Plate	113	2 610 996 913	Pin
55	2 610 996 861	Holding Plate	114	2 610 996 917	Plate
56	2 610 996 862	Guiding bolt	115	2 610 996 914	Gusset
57	2 610 997 276	Spring retaining ring	116	2 610 997 275	Pin
58	2 610 996 895	Threaded Rod	117	2 610 997 274	Pin
59	2 610 998 573	Spring retaining ring	118	2 610 996 918	Set screw
60	2 610 997 221	Bushing	119	2 610 996 920	Connecting Nut
61	2 610 996 896	Toothed Gear	120	2 610 996 919	Rod
62	2 610 912 587	Spring Washer	121	2 610 994 262	Nut
63	2 610 998 588	Screw	122	2 610 996 915	Clamping Piece
64	2 610 358 149	Nut	123	2 610 910 794	Hex Nut

1800 W. Central Mount Prospect IL 60056

Pos.	Part Number	Description	Pos.	Part Number	Description
124	2 610 996 916	Tommy Screw	185	2 610 996 887	Rod
125	2 610 997 217	End stop	186	2 610 911 577	Retaining Pin
126	2 610 996 857	Table top	187	2 610 996 888	Spring
127	2 610 996 855	Mounting Rail	188	2 610 996 883	Profile Rail
128	2 610 996 912	Fixing Plate	189	2 610 358 802	Washer
129	2 610 996 856	Mounting Rail	190	2 610 996 884	Housing
131	2 610 951 945	Screw	191	2 610 996 886	Locking Lever
132	2 610 950 077	Screw	192	2 610 997 292	Pin
133	2 610 996 941	Pointer	193	2 610 996 885	Clamping Plate
134	2 610 996 853	Profile Rail	194	2 610 997 240	Clamping Piece
135	2 610 996 923	Cover	195	2 610 997 293	Screw
138	2 610 908 270	Washer	196	2 610 997 245	Adjusting Screw
139	2 610 997 244	Cover	197	2 610 911 920	Rubber Bushing
140	2 610 996 926	End stop	198	2 610 998 551	Hexagon Socket Screw Key
141	2 610 997 218	Cover	199	2 610 998 580	Screw
142	2 610 996 854	Profile Rail	200	2 610 950 108	Screw
143	2 610 997 216	Cover	201	2 610 992 380	Spring retaining ring
144	2 610 996 858	Table top	202	2 610 997 817	Sticker
145	2 610 996 928	Retaining Plate	203	2 610 358 932	Connector
146	2 610 950 087	Screw	204	2 610 950 109	Washer
147	2 610 304 772	Nut	205	2 610 950 110	Screw
148	2 610 998 577	Protective Cover	206	2 610 950 111	Screw
149	2 610 997 808	Rule	207	2 610 911 933	Cable Clip
150	2 610 997 807	Sticker	208	2 610 998 593	Spring
151	2 610 997 227	Insert	209	2 610 912 588	Plain Washer
152	2 610 950 091	Set screw	211	2 610 912 589	Sticker
153	2 610 996 911	Holding Spring	212	2 610 341 465	Washer
154	2 610 996 900	Protective Cover	213	2 610 913 192	Compression Spring
155	2 610 997 285	Slide Nut	257	2 610 911 896	Nut
156	2 610 996 902	Roller Pin	801	2 610 997 205	Protective Cover
157	2 610 998 578	Toothed Knife	802	2 610 997 206	Edge Guide
158	2 610 998 579	Clamp Handle	803	2 610 997 204	Mitre Fence
159	2 610 909 178	Plain Washer	810	2 610 997 207	Carbon-Brush Set
160	2 610 996 936	Mitre Gauge			
161	2 610 358 519	Screw			
162	2 610 908 272	Nut			
163	2 610 997 213	Base Support			
164	2 610 358 832	Screw			
165	2 610 996 937	Guide Bar			
166	2 610 997 214	Pointer			
167	2 610 997 215	End stop			
168	2 615 296 243	Screw			
169	2 610 998 558	Clamping Lever			
170	2 610 997 248	Housing			
171	2 610 997 290	Pin			
172	2 610 997 291	Pin			
173	2 610 996 890	Lever			
174	2 610 996 889	Cam			
175	2 610 997 289	Pin			
176	2 610 996 893	Clamping Plate			
177	2 610 997 288	Pin			
178	2 610 996 881	Stop Holder			
179	2 610 997 249	Shoulder Screw			
180	2 610 997 223	Clamping Plate			
181	2 610 997 810	Warning Plate			
182	2 610 996 891	Slide Rail			
183	2 610 998 570	Bracket			
184	2 610 358 892	Cover			