



SERVICE PARTS LIST

BUL. 54-16-2040

DIAMOND CORE DRILL

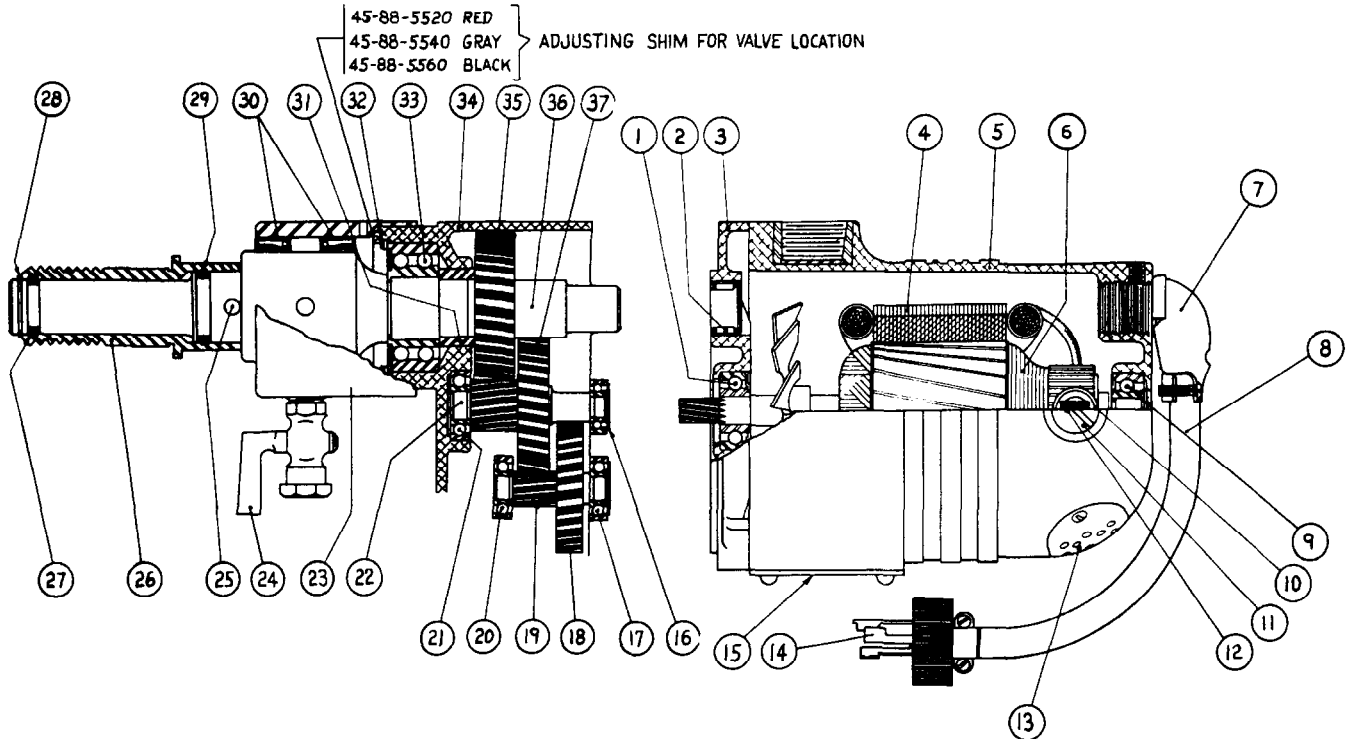
REVISED BUL. 6161-1 DATE Feb. '68

Catalog No. 3940

Starting Serial No. **161-1001**

WIRING INSTR.

Both Model and Serial No. must be furnished to obtain correct parts.



CORRECTS AND SUPERCEDES SERVICE BULLETIN 6161-1 DATED 3/25/59

FIG.	PART NO.	DESCRIPTION OF PART
1	02-04-1140	Ball Bearing
2	02-50-4820	Needle Bearing
3	28-28-0301	Diaphragm
4	18-82-1070	Field Assembly
5	28-50-4121	Motor Housing
6	16-82-1220	Armature Assembly
7	22-56-0060	Right Angle Connector
8	22-64-0065	Cord (3-wire)
9	02-04-1070	Ball Bearing (Comm. End)
10	22-22-0015	Brush Holder Assembly (2)
11	23-44-0030	Brush Retaining Screw Assembly (2)
12	22-18-0055	Carbon Brush Assembly (2)
13	44-66-0180	Air Intake Cover Plate
14	23-36-0070	Twist Lock Plug
15	44-66-0050	Body Cover Plate
16	02-04-0820	Ball Bearing
17	02-04-0910	Ball Bearing
18	32-42-1201	1st Intermediate Gear

ILLUSTRATED PARTS

FIG.	PART NO.	DESCRIPTION OF PART
19	36-66-2951	1st Inter. Pinion Shaft
20	02-04-0910	Ball Bearing
21	02-04-1210	Ball Bearing
22	36-66-1301	2nd Inter. Pinion Shaft
23	43-76-0051	Water Swivel Housing
24	45-80-0060	Valve
25	44-60-0050	Shear Pin
26	45-22-0050	Spindle Sleeve
27	34-40-1100	'O' Ring
28	34-60-1800	Snap Ring
29	34-40-1200	'O' Ring
30	45-06-0050	Water Seal
31	45-36-0080	Spindle Spacer
32	34-80-3800	Spindle Ball Retaining Ring
33	02-20-2520	Ball Bearing
34	28-14-0041	Gear Case
35	32-75-1261	Spindle Gear
36	38-50-0551	Spindle
37	32-44-1201	2nd Intermediate Gear

MISCELLANEOUS PARTS NOT SHOWN

PART NO.	DESCRIPTION OF PART	PART NO.	DESCRIPTION OF PART
49-18-0050	Water Hose	06-81-8625	6-32x1/4 Rd.Hd.Sems Brass Ground Wire Screws
12-98-2000	Name Plate	06-97-3200	Kantlink Lock Washers (2)
06-85-0200	6x1/4 P.K.Rd.Hd. Air Intake Plate Screw (2)	06-97-3800	Kantlink Lock Washers (2)
06-77-0450	4x1/4 Driv-In Name Plate Screws (2)	06-42-2000	Woodruff Key
06-81-2100	1/4-20x3-1/4 Fil.Hd. Gear Case Screws (2)	06-42-1200	Woodruff Key
06-81-1975	1/4-20x2-1/4 Fil.Hd. Gear Case Screws (2)	06-42-2400	Woodruff Key
06-81-1150	10-24x3-1/8 Fil.Hd. Field Screws (2)	06-83-2650	1/4-20x3/8 Hd'less Cord Clamp Set Screw
06-83-2650	1/4-20x3/8 Hd'less Brush Holder Set Scs. (2)	06-81-5000	1/4-20x3/8 Truss Hd. Screws (4)

Numbers in brackets indicate number required.