

## All Purpose Vacuum Cleaners - 0 601 989 161 - 3931A

www.powertools-aftersaleservice.com



**BOSCH**

Item	Part Number	Description	Illustration	Price	Quantity	Price Group
	3 1 600 A00 0SE	Motor Housing	1	-,-	1	41
3/01	1 601 118 M65	Warning Plate	1	-,-	1	-
	4 1 609 203 K54	Locking-Bar	1	-,-	1	25
	5 1 609 203 C27	Contact Finger	2	-,-	1	16
	6 1 609 203 C28	Leaf Spring	1	-,-	1	13
	7 1 609 203 C29	Sound Insulation Mat	2	-,-	1	22
	8 1 609 203 K55	Sound Insulation Mat	2	-,-	1	28
	10 1 609 203 C32	Sealing Cord 3 M	1	-,-	3	22
10/1	1 609 203 C33	Sealing Cord 1,5 M	2	-,-	1	23
	11 1 609 203 C34	Air Filter	1	-,-	2	13
	15 1 609 201 669	Seal Ring	2	-,-	1	18
	16 1 609 203 K57	Suction Blower 120V	2	-,-	1	57
	17 1 609 203 B13	Seal Ring	2	-,-	1	19
	19 1 600 A00 0RW	Load Absorber	1	-,-	1	19
	20 2 910 611 015	Tapping Screw DIN 7981-B3,5x25	1	-,-	48	11
	21 1 600 A00 0SD	Intermediate housing	1	-,-	1	36
	22 1 609 203 K59	Covering hood	1	-,-	1	41
22/01	1 601 118 F25	Warning Plate	1	-,-	1	21
	23 1 609 203 K60	Handle	1	-,-	1	29
	26 1 609 203 C46	Thrust Member	1	-,-	4	10
	27 1 609 201 685	Compression Spring	1	-,-	5	12
	28 1 609 201 663	Sealing disk	1	-,-	2	12
	29 1 609 203 K62	Attachment Vibrator 120V	1	-,-	2	45
	30 1 609 203 C48	Holding Plate	1	-,-	2	12
	31 1 609 203 C49	Contact Strap	1	-,-	2	12
	32 1 609 203 C50	connecting terminal	1	-,-	1	13
	33 1 609 203 C51	Holding-Down-Appliance	1	-,-	4	10
	34 1 609 203 C52	Contact Spring	1	-,-	1	10
	35 1 609 203 U92	Power supply cord	1	-,-	1	-
	36 1 609 203 C54	Cable Clip	1	-,-	1	11
	37 1 609 203 U93	Front Shield	1	-,-	1	-
	38 1 609 203 U94	Printed-Board Assembly	1	-,-	1	-
38/01	1 609 203 U95	Printed Circuit Board	1	-,-	1	-

Item	Part Number	Description	Illustration	Price	Quantity	Price Group
39	1 609 203 W42	Axle	1	-,-	1	11
40	1 609 203 C58	Switch Button	1	-,-	1	16
43	1 609 203 V00	Control Knob	1	-,-	1	-
45	1 609 203 C62	Switch Spring	1	-,-	2	11
46	1 609 203 K66	Socket	1	-,-	1	38
48	1 609 203 C65	Plastic Hose	1	-,-	1	11
49	1 609 203 C66	Seal Ring	1	-,-	2	18
51	1 601 118 M66	Nameplate	1	-,-	1	-
54	1 609 203 C70	Bearing bolt	1	-,-	2	12
55	1 609 203 C71	Locking Pin	1	-,-	1	13
56	1 609 203 C72	Coupler Link	1	-,-	1	13
57	1 609 203 C73	Lock Spring	1	-,-	1	23
58	1 609 203 C74	Support	2	-,-	2	11
60	1 609 203 C76	Cable tie	1	-,-	3	10
66	1 609 203 L60	Carbon-Brush Set	2	-,-	1	37
68	1 601 118 C61	Warning Plate	1	-,-	1	15
74	1 609 203 U96	Plug	2	-,-	2	-
75	1 609 203 U97	Caster Wheel	2	-,-	2	27
80	1 609 203 C88	Dust container	2	-,-	1	50
82	1 609 203 C90	Axle	2	-,-	1	25
83	1 609 203 U98	Impeller	2	-,-	2	-
85	1 609 202 726	Plain Washer Ø4,2xØ11x1,2MM	1	-,-	3	11
86	2 910 611 015	Tapping Screw DIN 7981-B3,5x25	2	-,-	3	11
87	1 609 203 C93	Bow	2	-,-	1	39
88	1 609 203 C94	Retaining Spring	2	-,-	2	18
89	1 609 203 C87	Hose Ø38xØ32x125MM	2	-,-	1	32
90	1 609 203 D00	Plug	2	-,-	1	26
91	1 609 203 D01	Cable tie	2	-,-	1	11
92	1 609 203 E24	Pressure Plate	2	-,-	2	18
101	1 609 203 K70	Connecting Cable	2	-,-	2	19
102	1 609 203 C96	Connecting Cable	1	-,-	2	13
105	1 609 203 C97	Connecting Cable	1	-,-	1	14
106	1 609 203 C98	Connecting Cable	1	-,-	1	14
107	1 609 203 W24	Connecting Cable	1	-,-	1	-
108	1 609 203 W25	Connecting Cable	1	-,-	1	-
110	1 609 203 V67	Connecting Cable	1	-,-	1	-
111	1 609 203 V66	Connecting Cable	1	-,-	1	-
650	1 600 A00 0VY	Air Hose	3	-,-	1	47
650/1	1 609 203 V36	Fitting	3	-,-	1	31
673	1 609 203 N74	Dust Bag	3	-,-	1	32
801	1 609 203 K72	Intermediate Flange	2	-,-	1	47
809	1 609 203 M84	Electrode	1	-,-	1	20
812	1 609 203 K73	Connector	1	-,-	1	19
824	1 609 203 K74	Socket Contact	1	-,-	1	21
850	1 609 203 C78	Air Filter	1	-,-	2	46
881	1 609 203 L96	Bent-Lever Closure	2	-,-	2	27
890	1 600 A00 0VY	Air Hose	3	-,-	1	47
890/2	1 609 203 V36	Fitting	3	-,-	1	31
895	1 600 A00 0W0	Fitting	3	-,-	1	33

Illustration - Type E

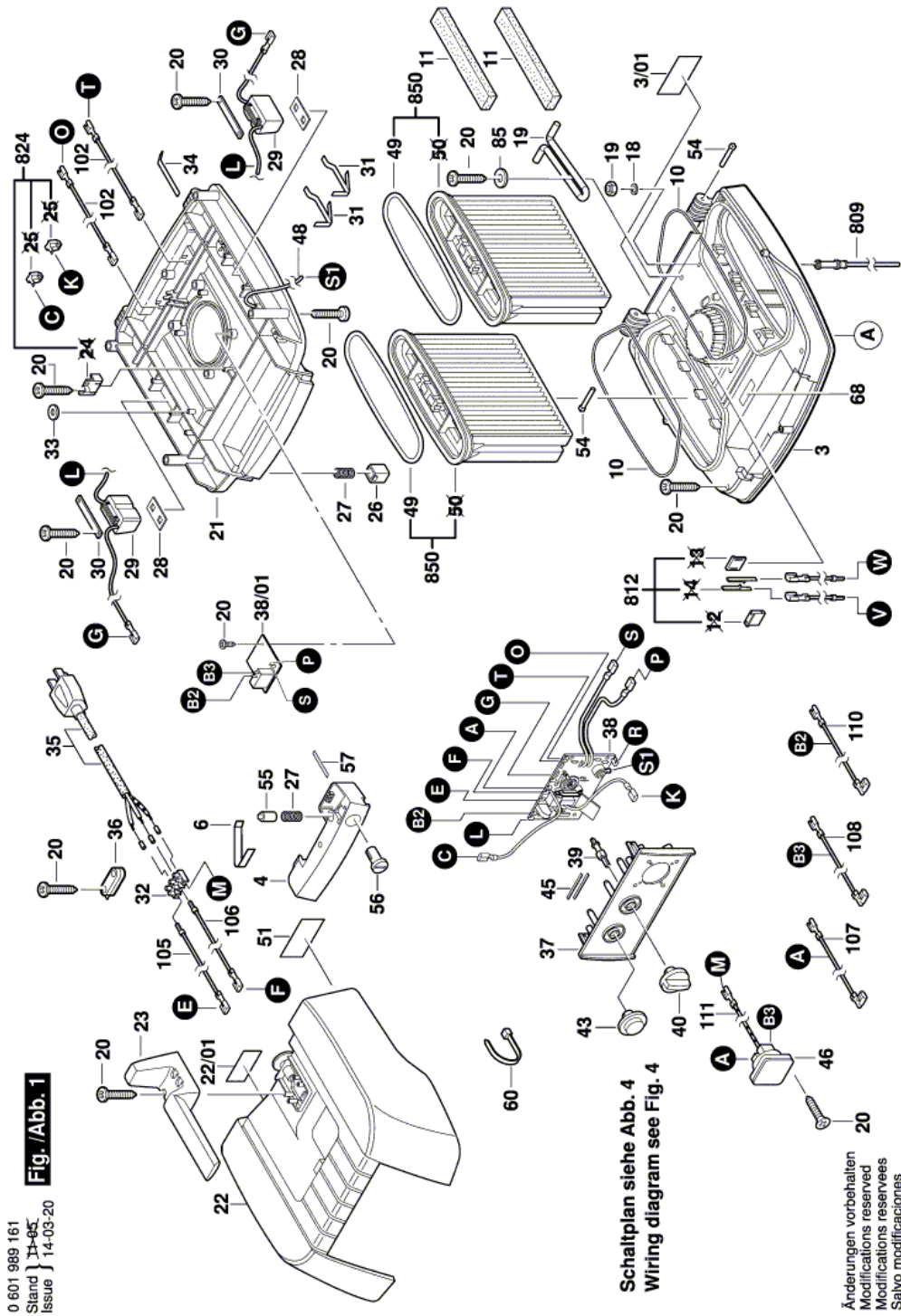


Illustration - Type E

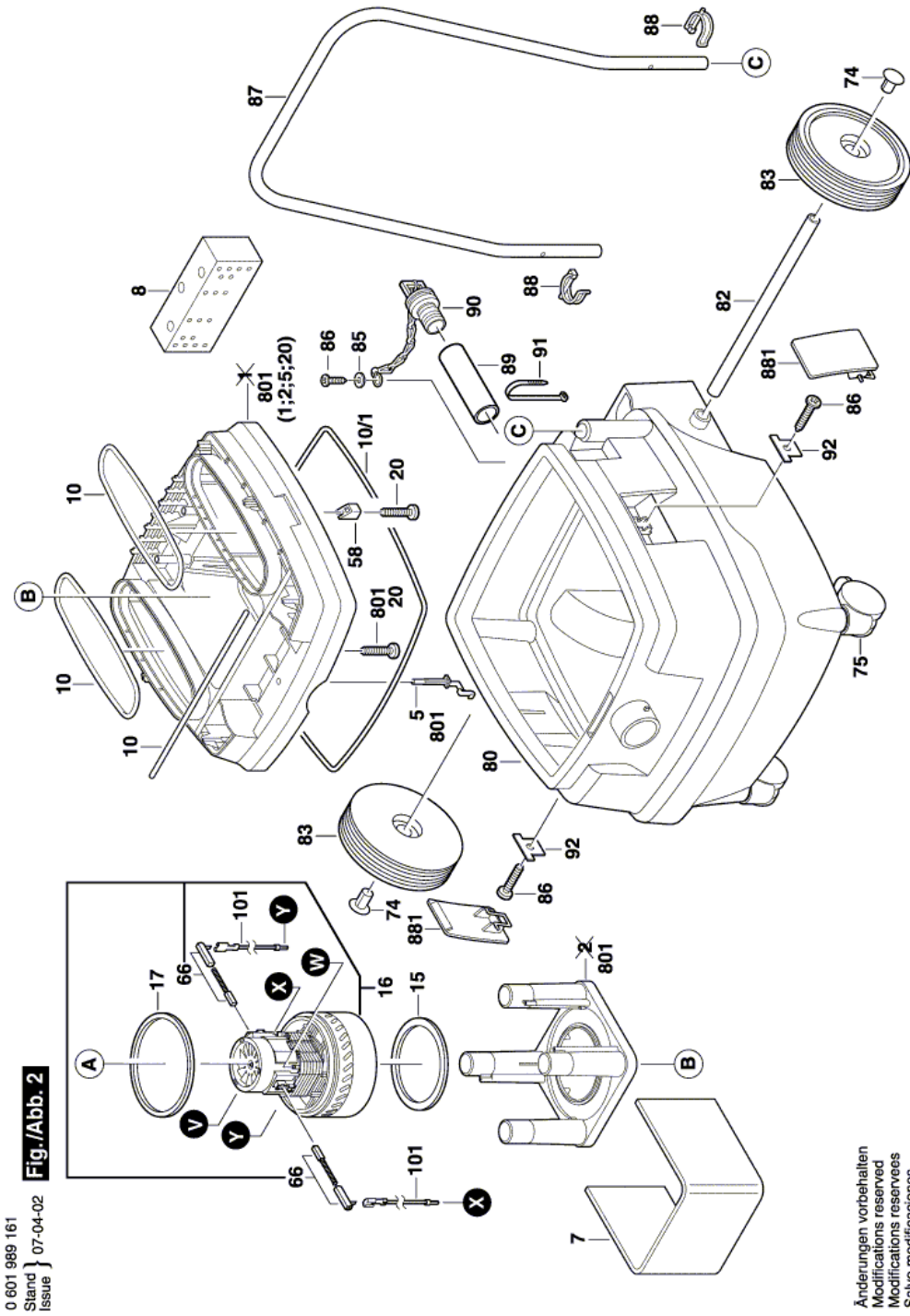
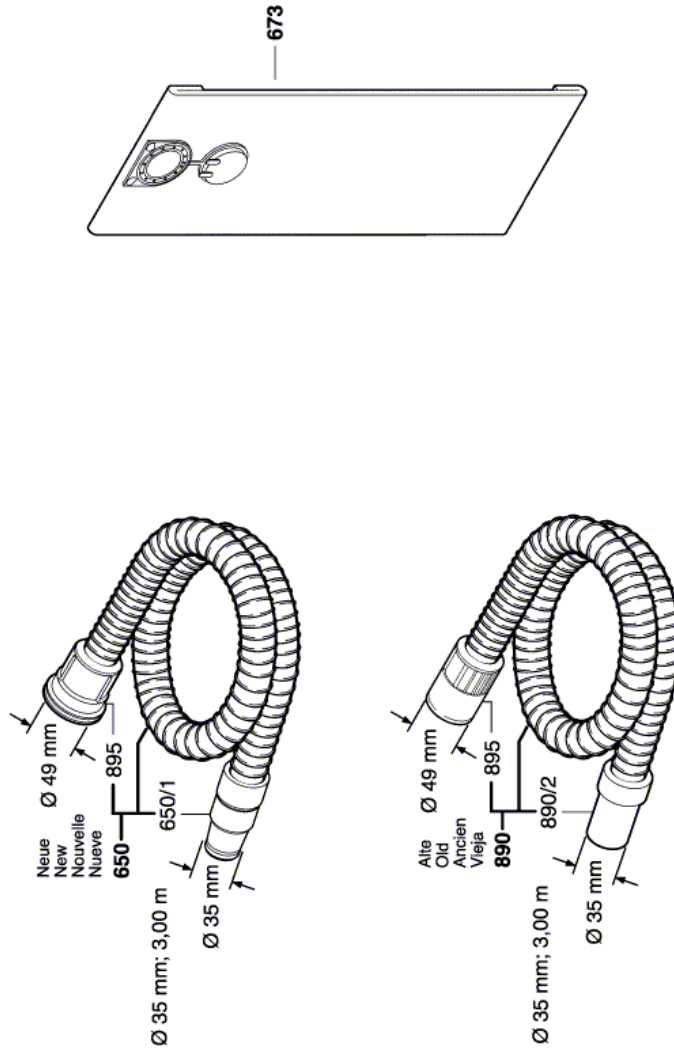


Illustration - Type E

0 601 989 161  
Stand } 09-10  
Issue } 11-07-20

**Fig./Abb. 3**

**System Ø 35mm**



Anderungen vorbehalten  
Modifications reserved  
Modificacions reserves  
Salvo modificaciones