

Batt-Oper Screwdriver - 3 601 J12 110 - 38636

www.powertools-aftersaleservice.com



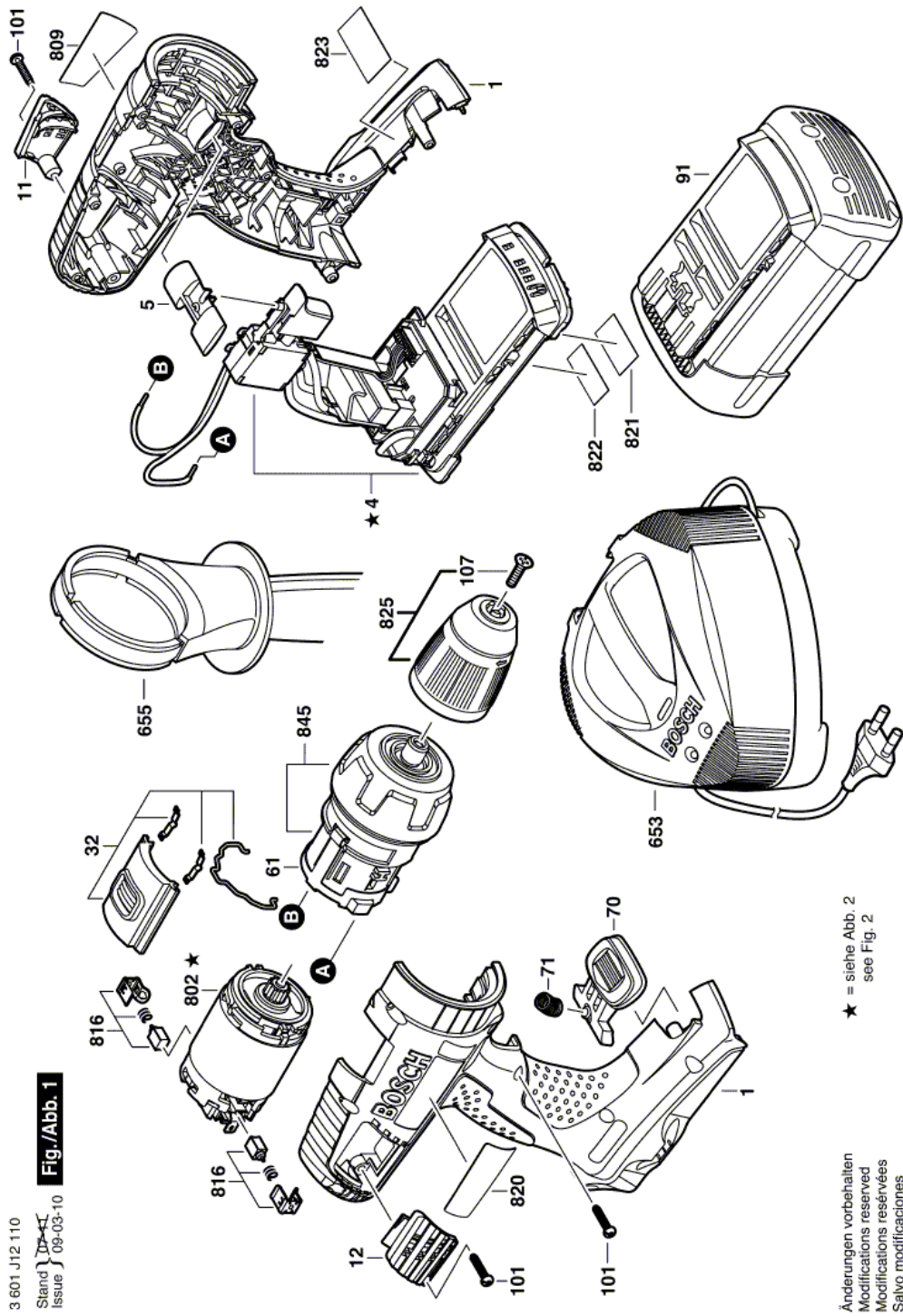
BOSCH

Item	Part Number	Description	Illustration	Price	Quantity	Price Group
	1 2 605 105 089	Housing Section BLUE	1	-,-	1	32
	4 1 607 233 279	Electronics Module	1	-,-	1	47
	5 2 601 099 149	Adjusting Slide	1	-,-	1	11
	11 2 600 508 056	Cover	1	-,-	1	15
	12 2 600 508 057	Cover	1	-,-	1	15
	32 2 601 099 152	Adjusting Slide RED	1	-,-	1	21
	61 2 608 040 190	Support	1	-,-	1	21
	70 2 605 190 571	Push-Button RED	1	-,-	1	12
	71 2 604 610 104	Compression Spring	1	-,-	1	10
	91 2 607 336 007	Accumulator Battery 36V, 1,3Ah, LI	1	-,-	1	55
	91 2 607 336 009	Battery Pack 36V, 2,0Ah, LI	1	-,-	1	57
	101 2 603 490 018	Torx Oval-Head Screw 3x18	1	-,-	10	10
	107 2 603 421 229	Countersunk-Head Screw M6x23	1	-,-	1	11
	653 2 607 225 833	Charger USA 120/14,4-36V	1	-,-	1	45
	655 2 602 025 135	Auxiliary Handle	1	-,-	1	27
	802 2 607 022 837	DC motor	1	-,-	1	46
	809 2 601 115 374	Manufacturer's nameplate	1	-,-	1	13
	816 2 607 034 904	Carbon-Brush Set	1	-,-	1	23
	820 2 601 115 375	Warning Plate	1	-,-	1	13
	821 2 601 115 376	Nameplate	1	-,-	1	13
	822 2 601 115 411	Warning Plate	1	-,-	1	13
	823 2 601 115 412	Warning Plate	1	-,-	1	13
	825 2 608 572 903	Keyless Chuck	1	-,-	1	40
	845 2 606 200 935	Planetary Gear Train	1	-,-	1	47

Product information Batt-Oper Screwdriver - 3 601 J12 110 - 38636

Product No	3 601 J12 110
Description	254.053; Batt-Oper Screwdriver
DIN-Text	
ID_Text_Ext	0
Trading_Description	38636
Voltage_1	36 V
ID_Country_Product	USA

Illustration - Type E



3 601 J12 110
 Stand }
 Issue } 09-03-10

Fig./Abb. 1

★ = siehe Abb. 2
 see Fig. 2

Änderungen vorbehalten
 Modifications reserved
 Modifications réservées
 Salvo modificaciones