

# BOSCH

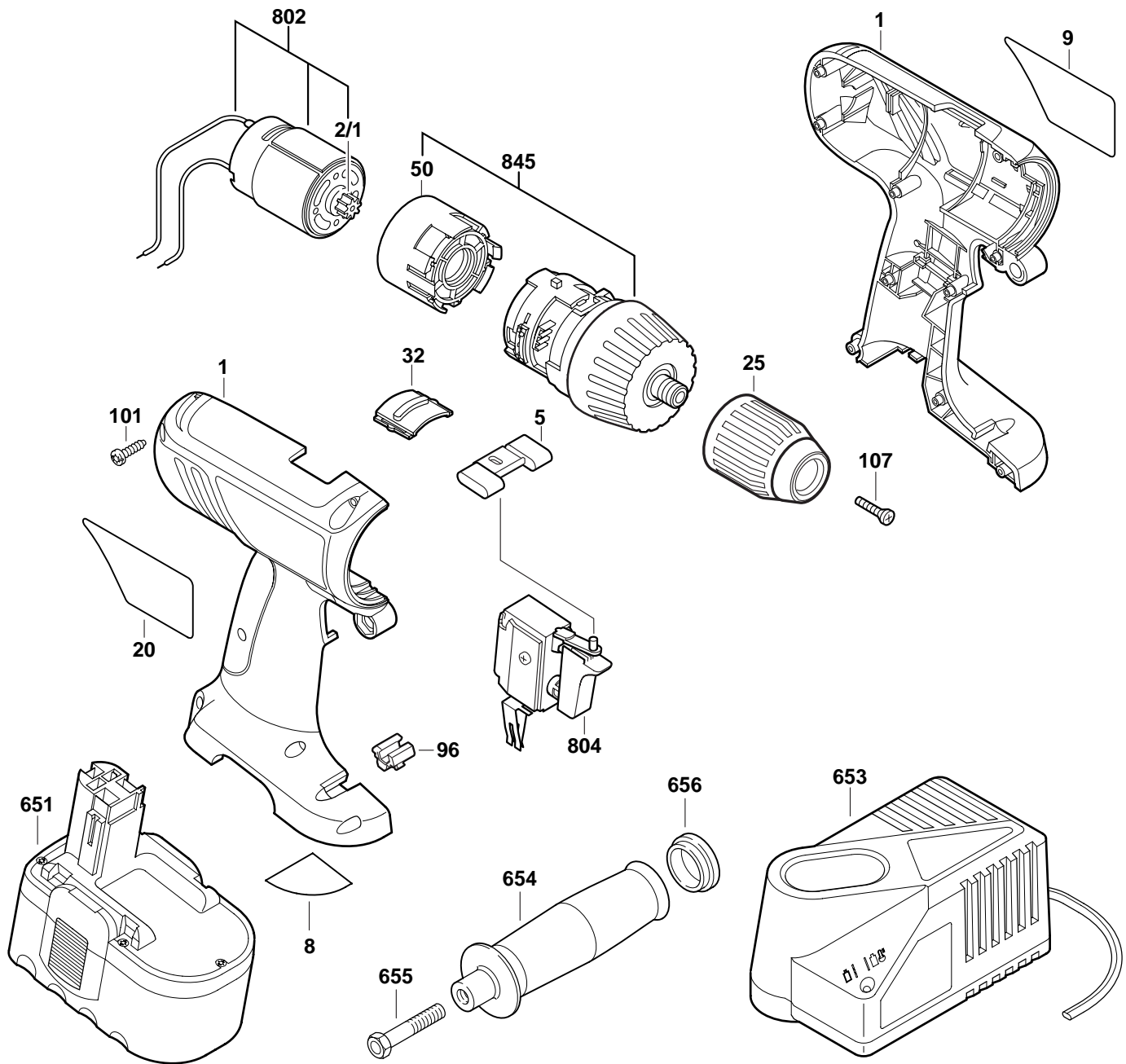
July 2001  
INDUSTRIAL

## 18V DRILL / DRIVER

### Model 0601951364

# 3860

(364)



Pos.	Part Number	Description {Qty.}	F/C	Pos.	Part Number	Description {Qty.}	F/C
1	2 605 104 677	Housing Assembly	71	107	2 610 908 940	Reverse Screw	85
2/1	2 606 316 202	Pinion Gear	33	651	2 610 907 652	Battery 18V	18
5	2 601 099 085	Switch Select Lever	9	653	2 607 224 431	Multi-Volt Charger	18
8	2 601 116 053	Nameplate	9	654	2 602 025 108	Auxiliary Handle	9
9	2 610 998 401	Label	9	655	2 911 061 207	Bolt	89
20	2 601 116 114	Label	9	656	2 610 998 827	Cap	9
25	2 610 991 210	1/2" Keyless Chuck	91	802	2 607 022 882	Motor Assembly w/pos. 2/1	19
32	2 601 099 086	Gear Select Lever	63	804	2 607 200 413	Switch VSR	17
50	2 607 034 127	Mounting Flange	38	845	2 606 200 914	Drive Assembly w/pos. 50	40
96	2 608 040 131	Bit Holder	9				
101	2 914 201 668	Screw {8}	89				

+ = Not Illustrated \* = As Required F/C = Failure Code AW = Refer to AW Labor Time Chart